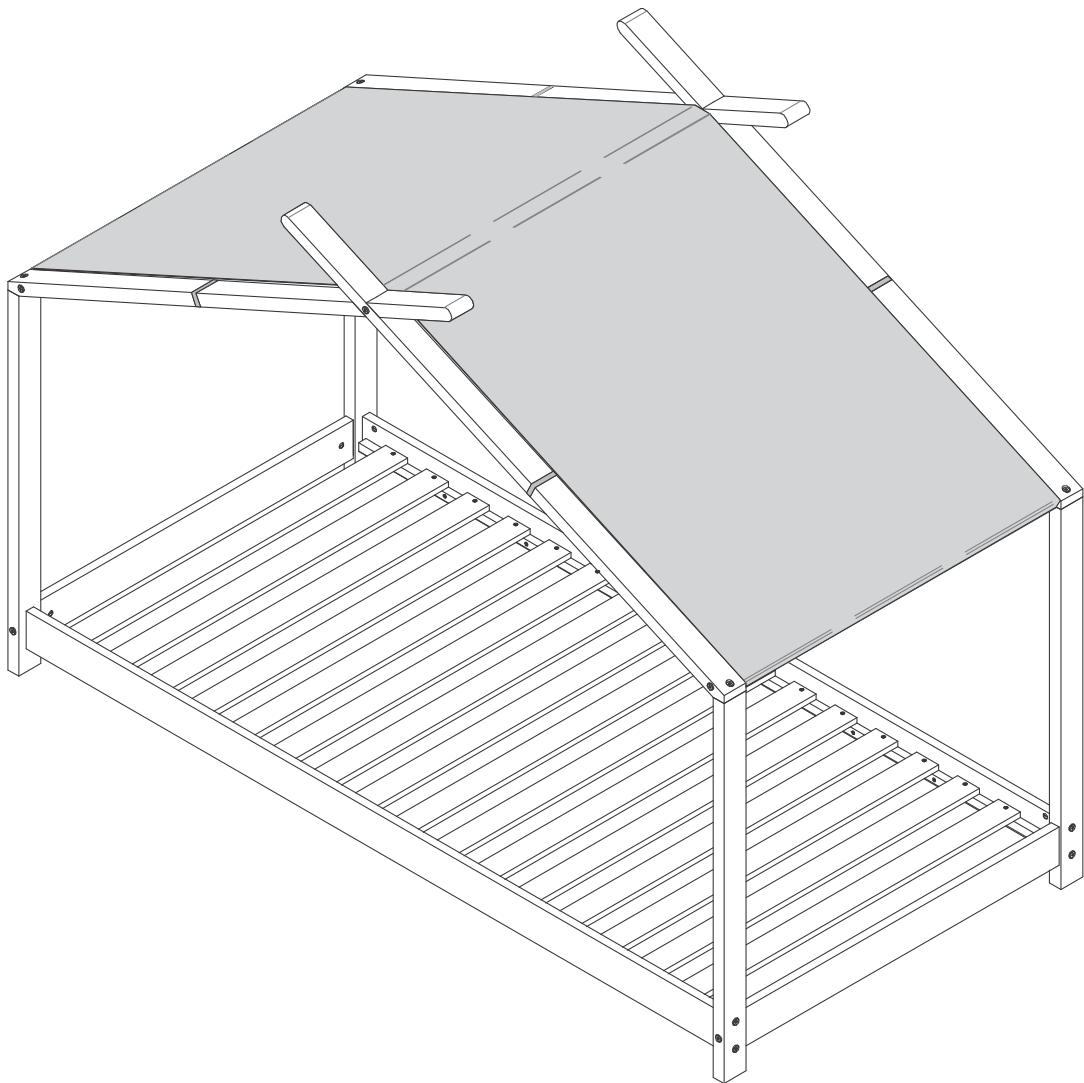
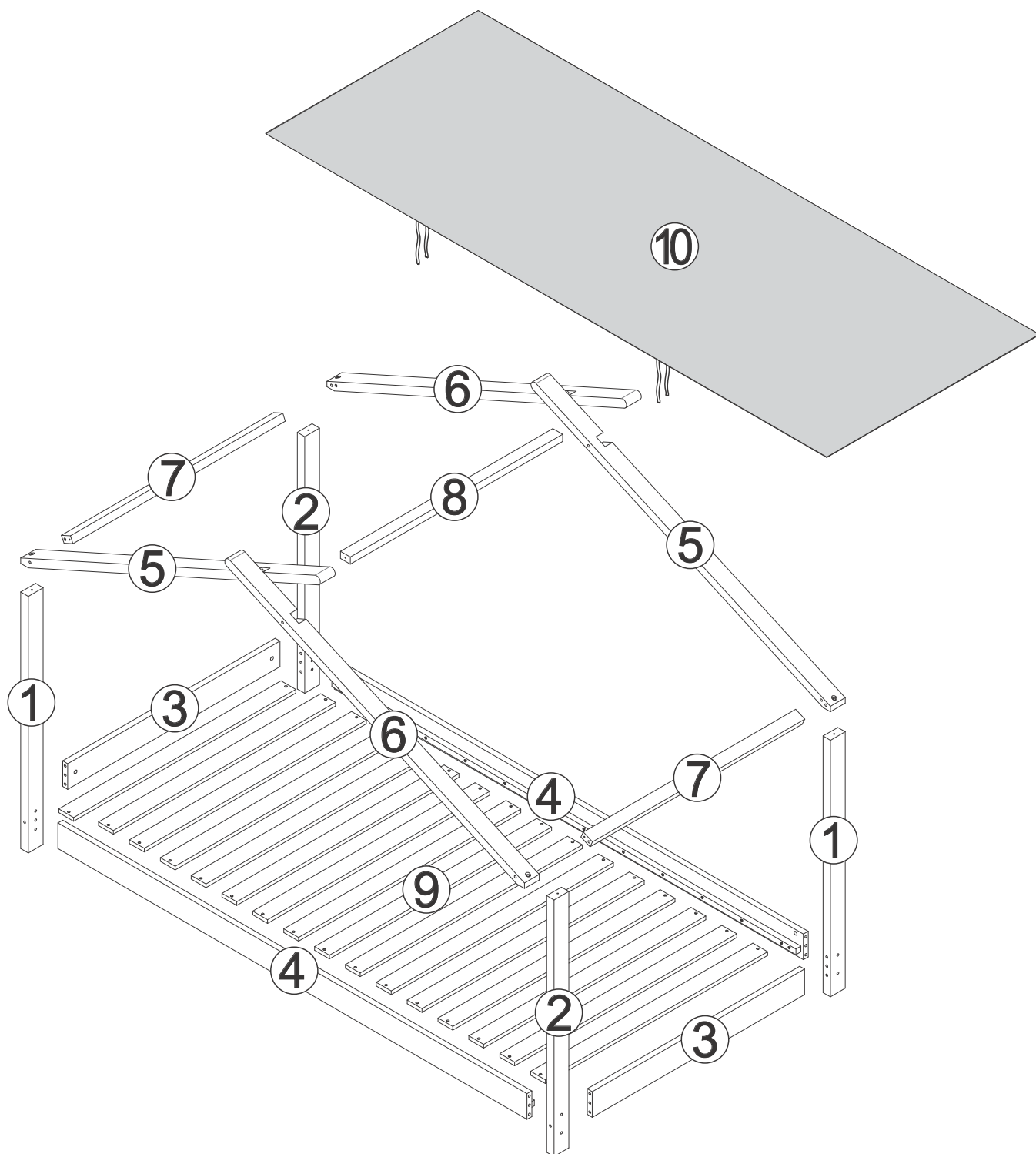
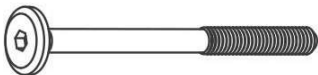


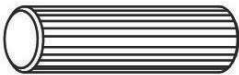



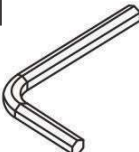


Assembly instruction





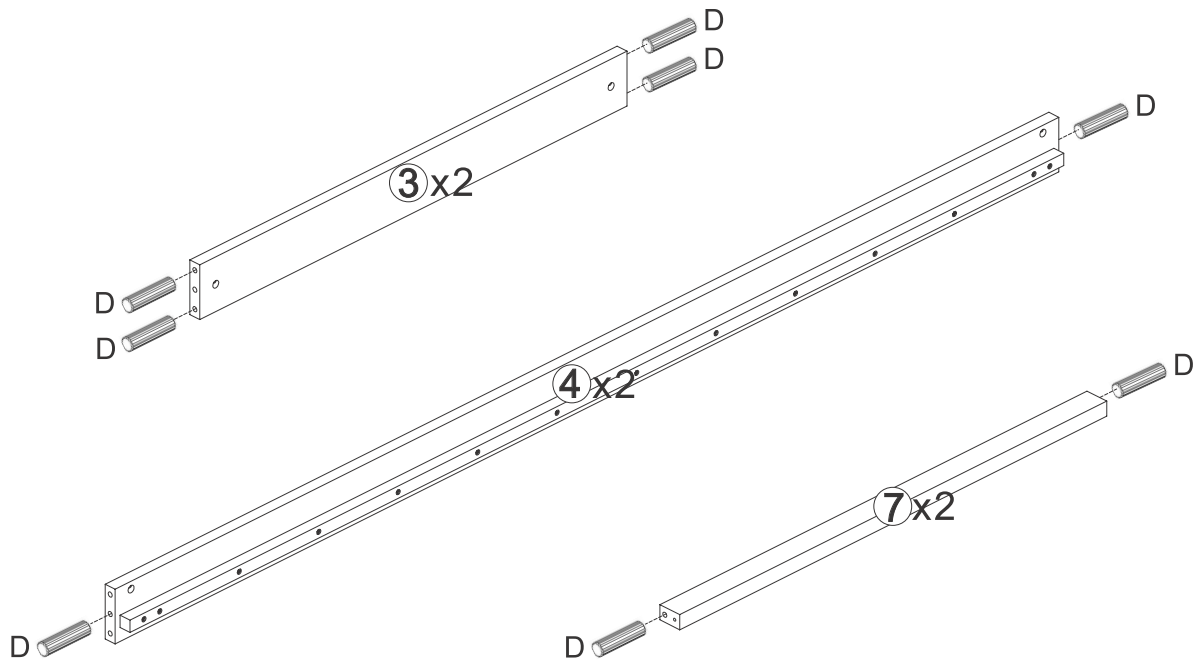
<p>A x4</p>  <p>M6x100mm</p>	<p>B x8</p>  <p>M6x70mm</p>	<p>C x12</p>  <p>Φ3x30mm</p>	<p>D x16</p>  <p>Φ8x30mm</p>
<p>E x6</p>  <p>Φ6x100mm</p>	<p>F x4</p>  <p>Φ6x60mm</p>	<p>G x32</p>  <p>Φ3x30mm</p>	<p>H x1</p> 

Step 1.

D x16

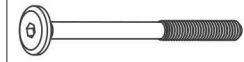


Φ8x30mm



Step 2.

A x4



M6x100mm

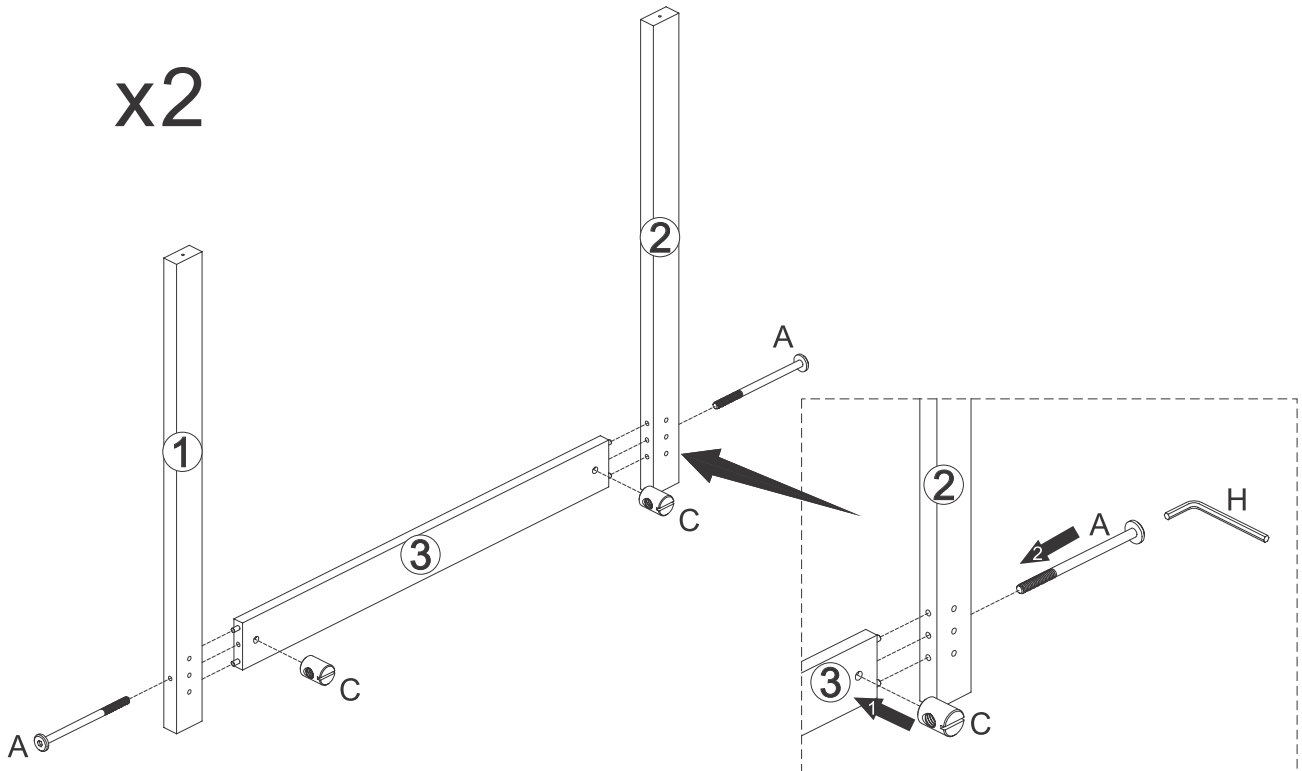
C x4



H x1



x2



Step 3.

B x 8

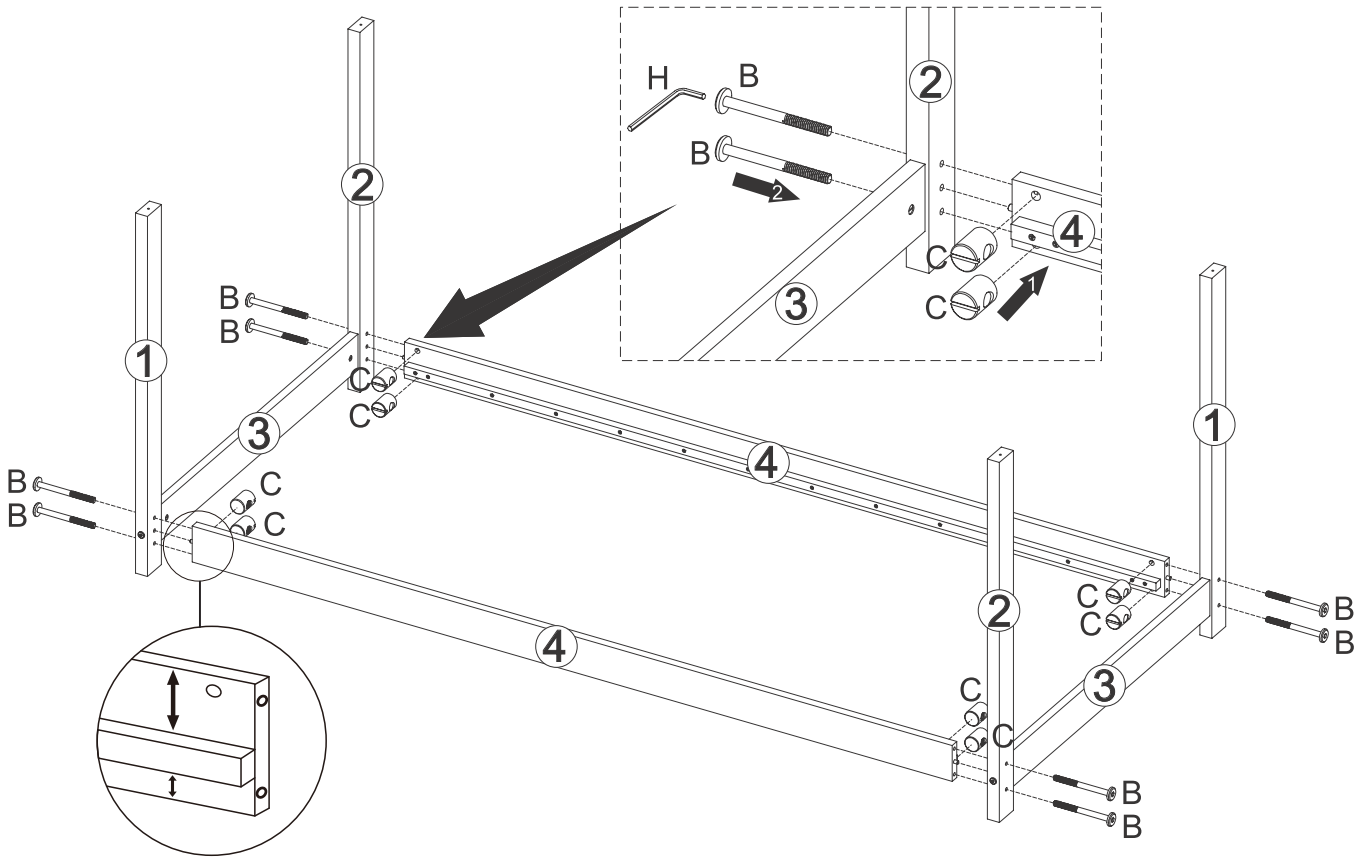
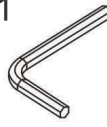


M6x70mm

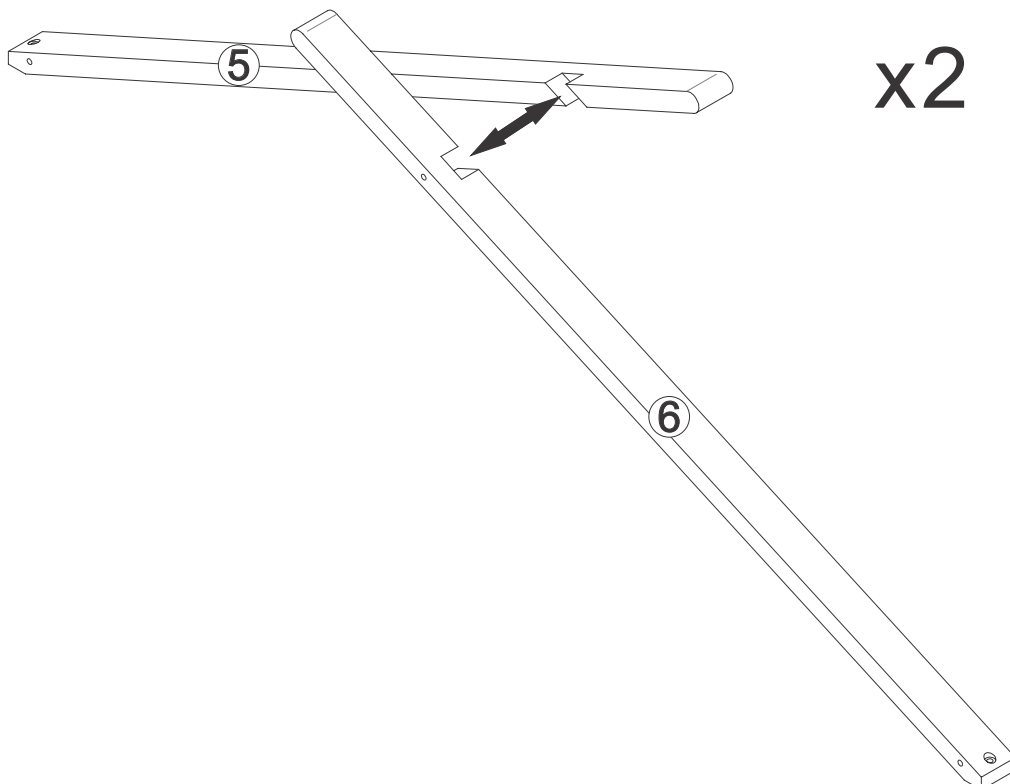
C x 8



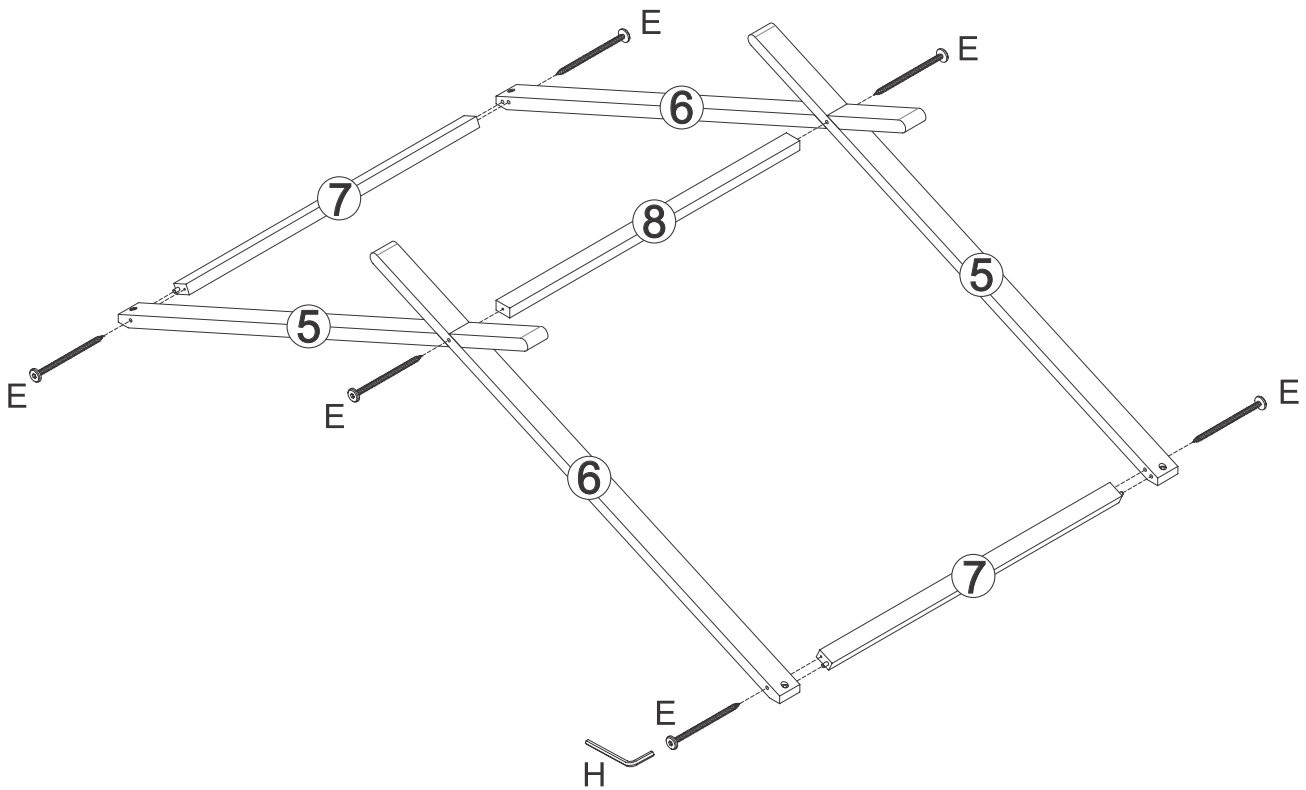
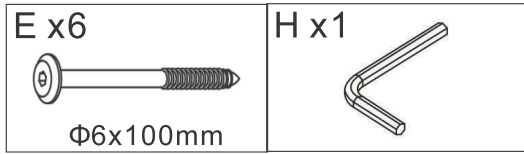
H x 1



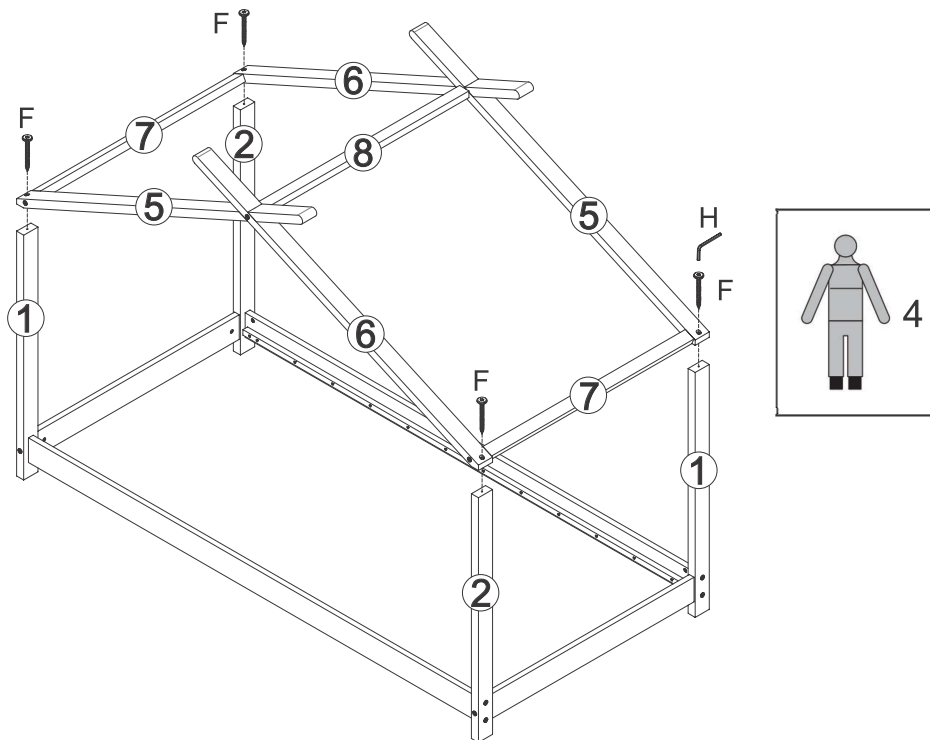
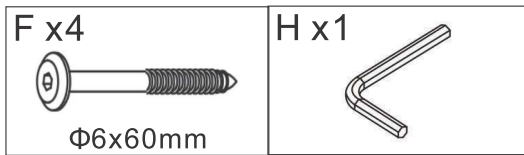
Step 4.




Step 5.

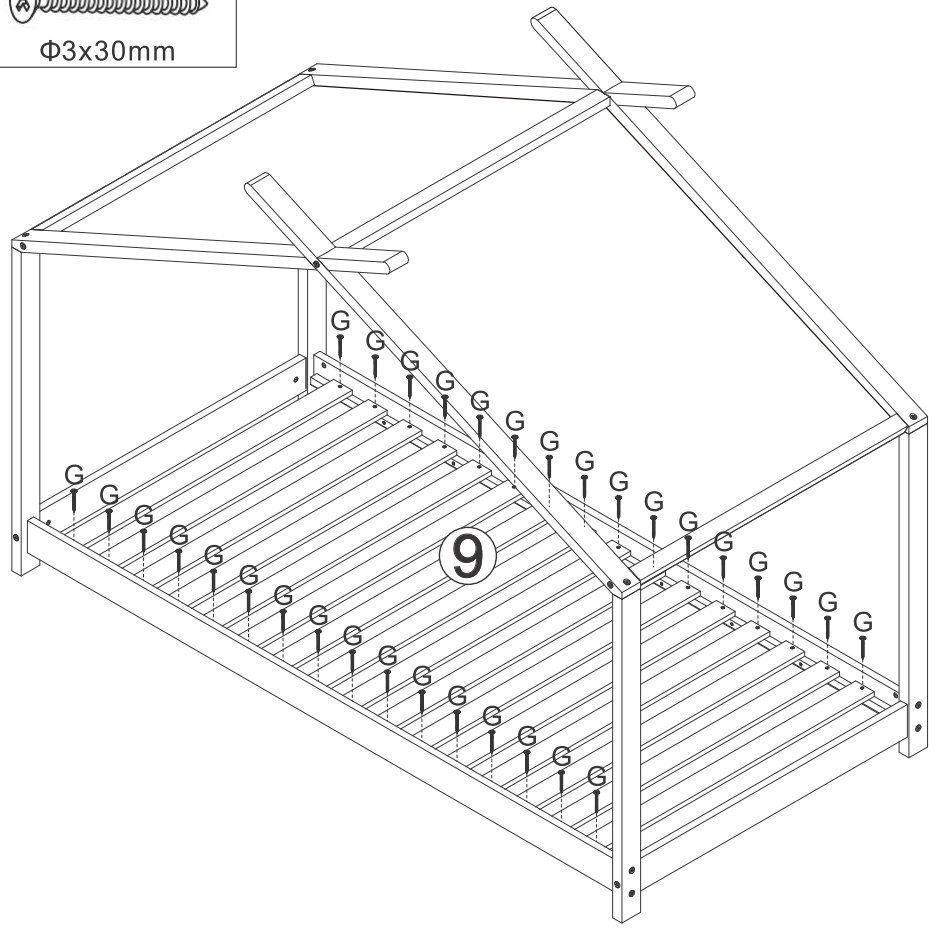


Step 6.

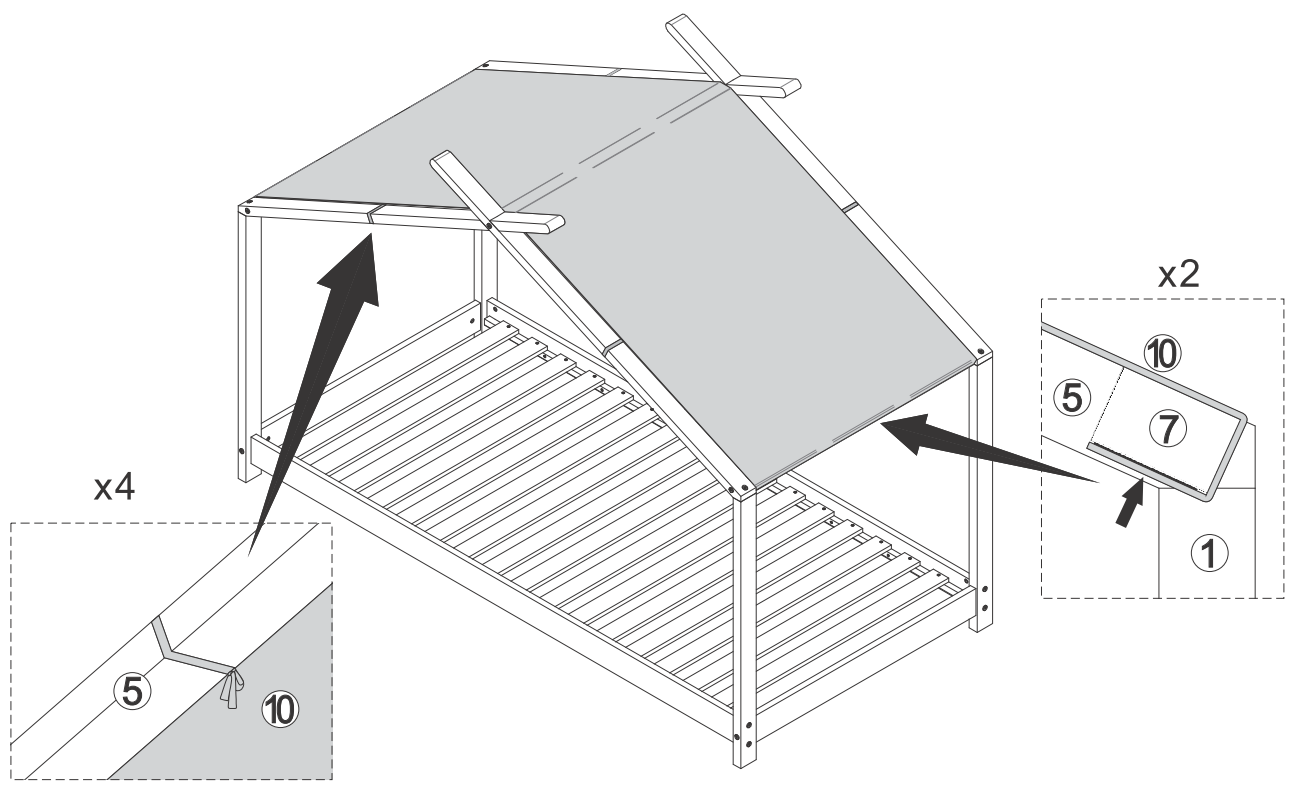


Step 7.

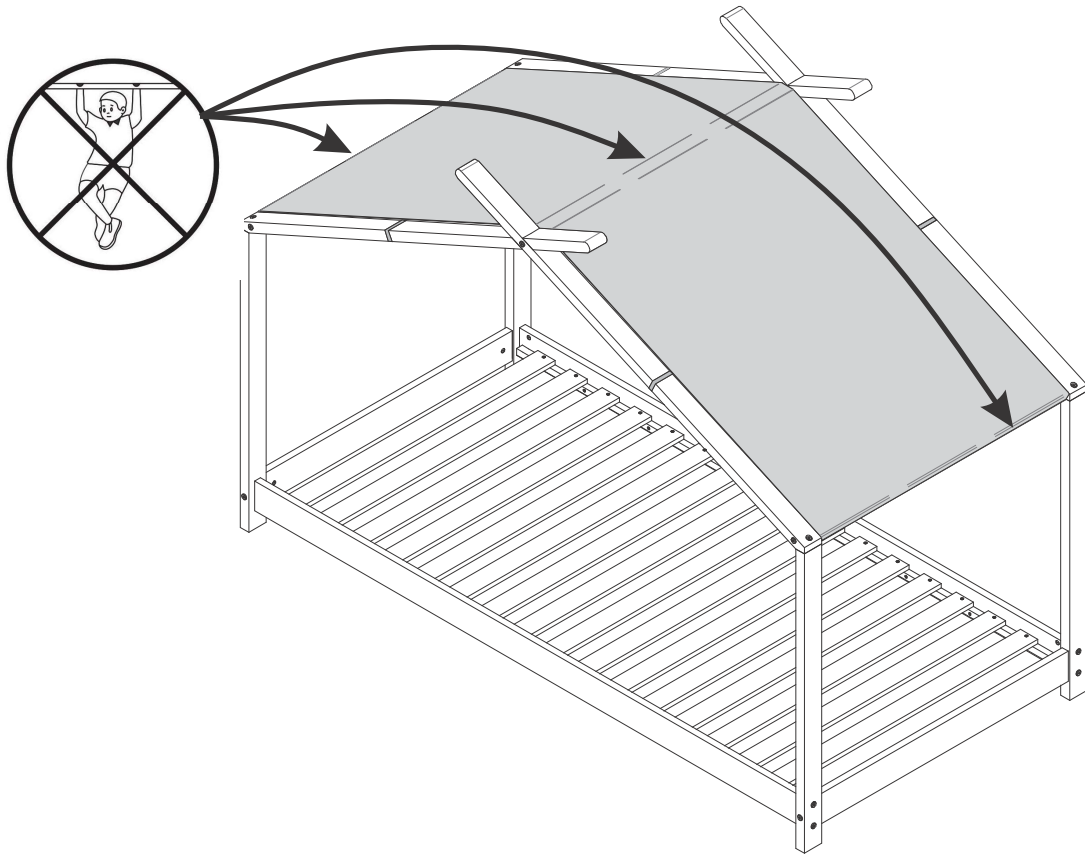
G x32

Φ3x30mm



Step 8.



Step 9.



Step 10.

