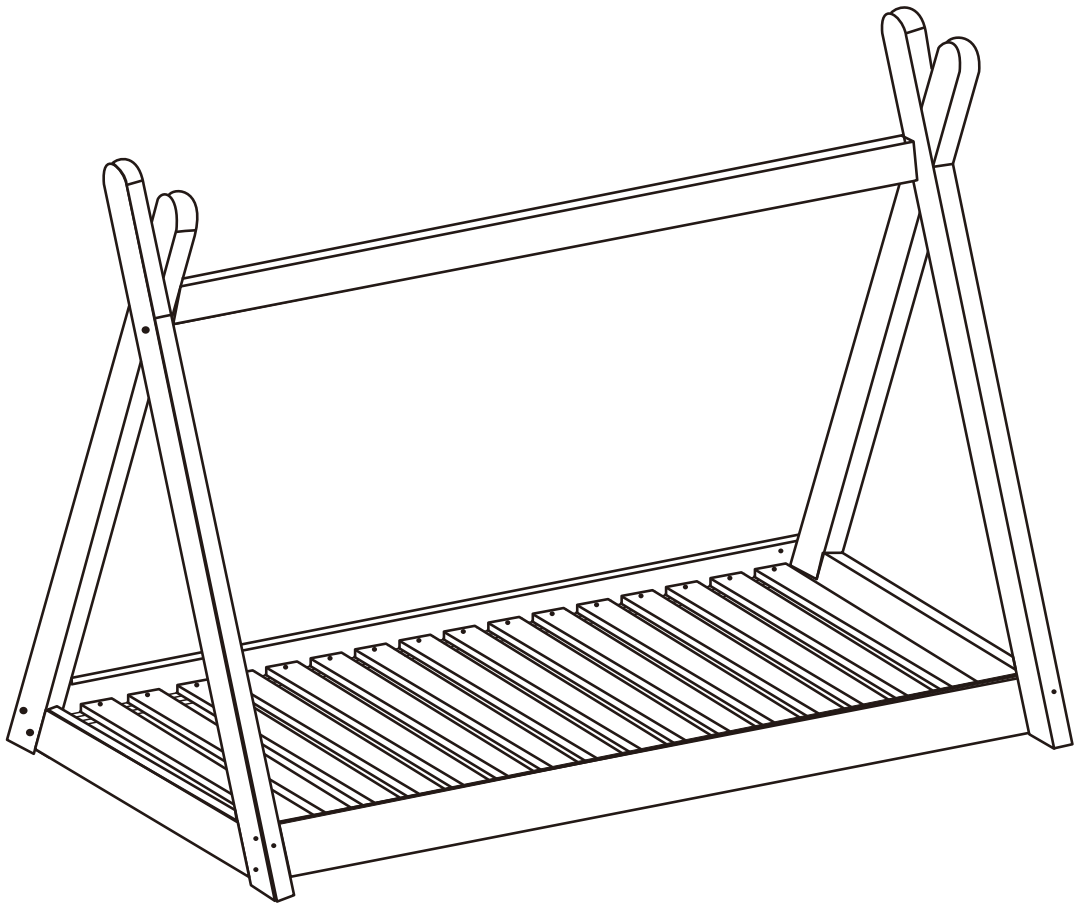
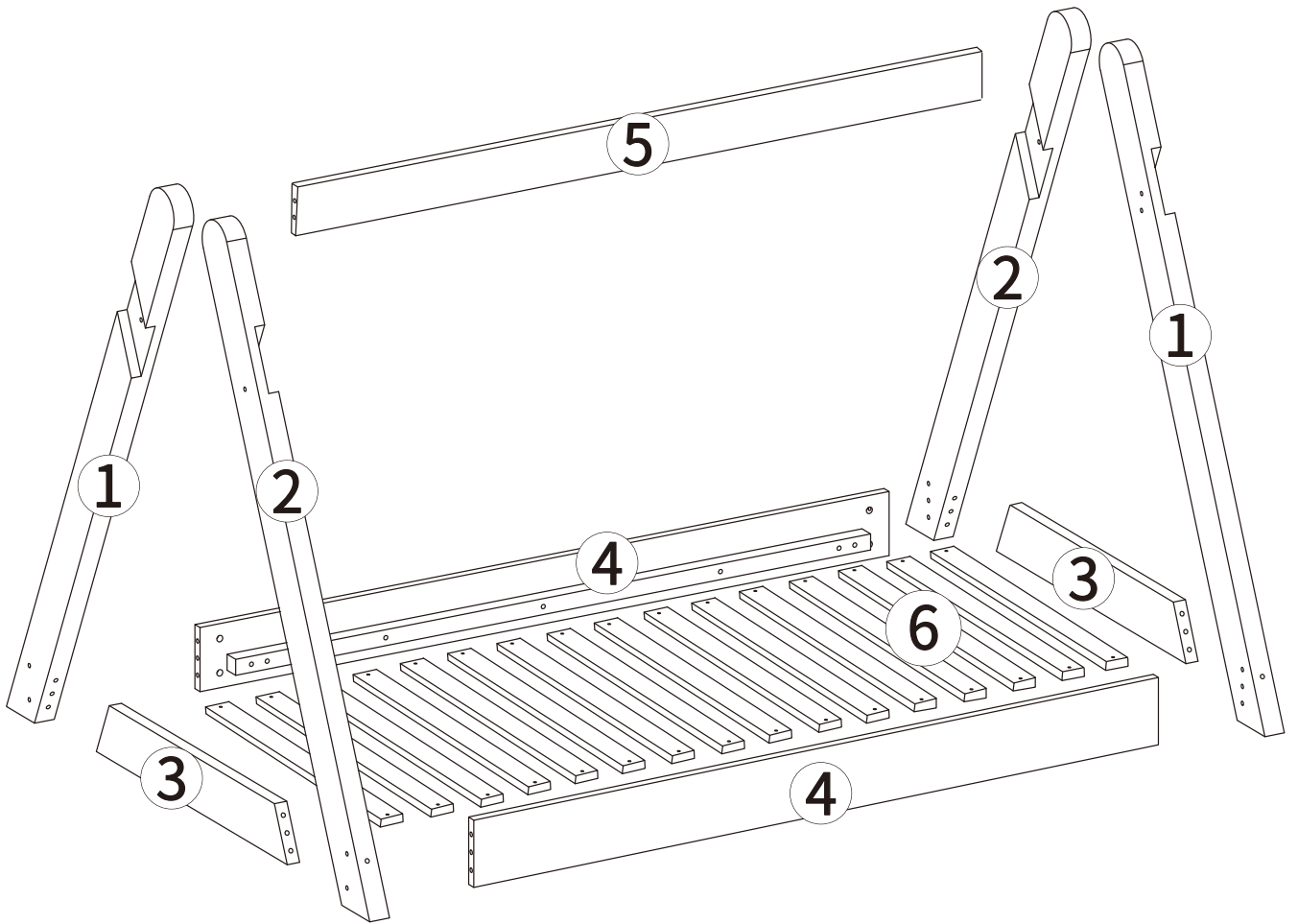








Assembly instruction





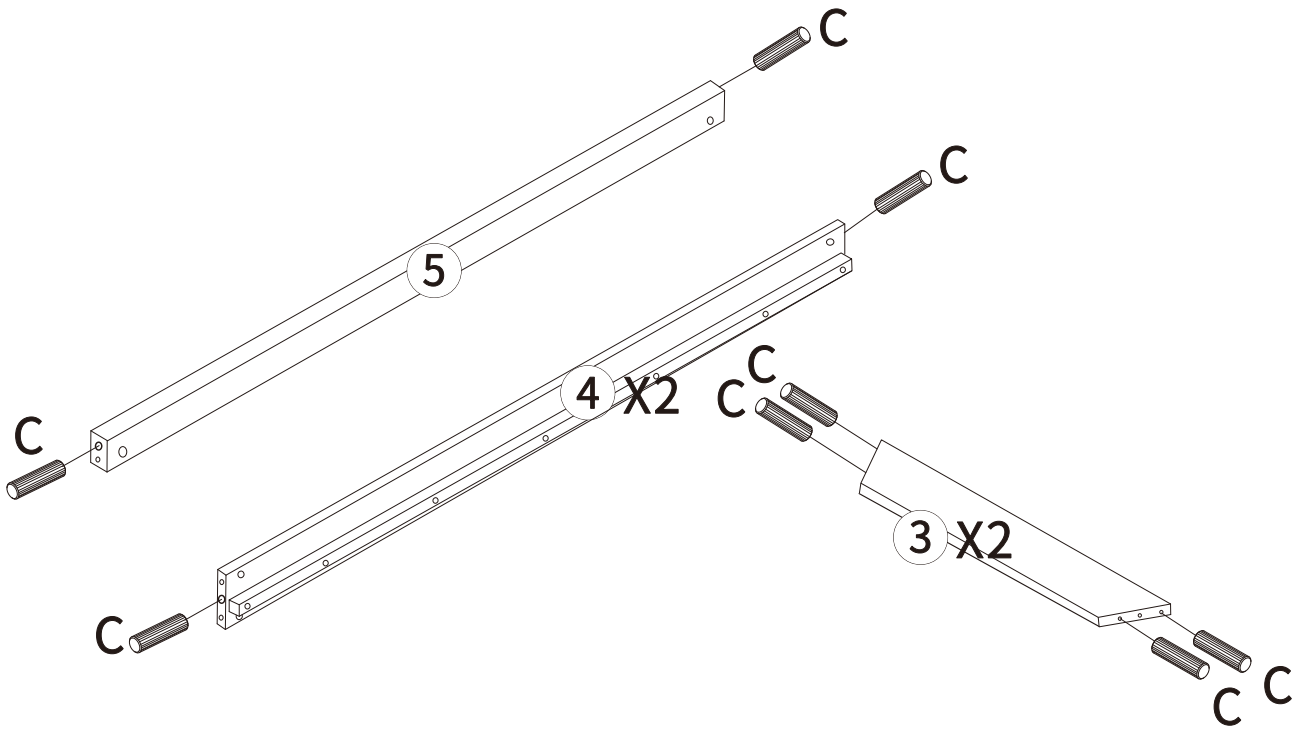
<p>A x10</p>  <p>M6 x80mm</p>	<p>B x10</p> 	<p>C x14</p>  <p>φ8 x30mm</p>	<p>D x4</p>  <p>φ6x100mm</p>
<p>E x32</p>  <p>φ4 x30mm</p>	<p>F x1</p> 		

Step 1.

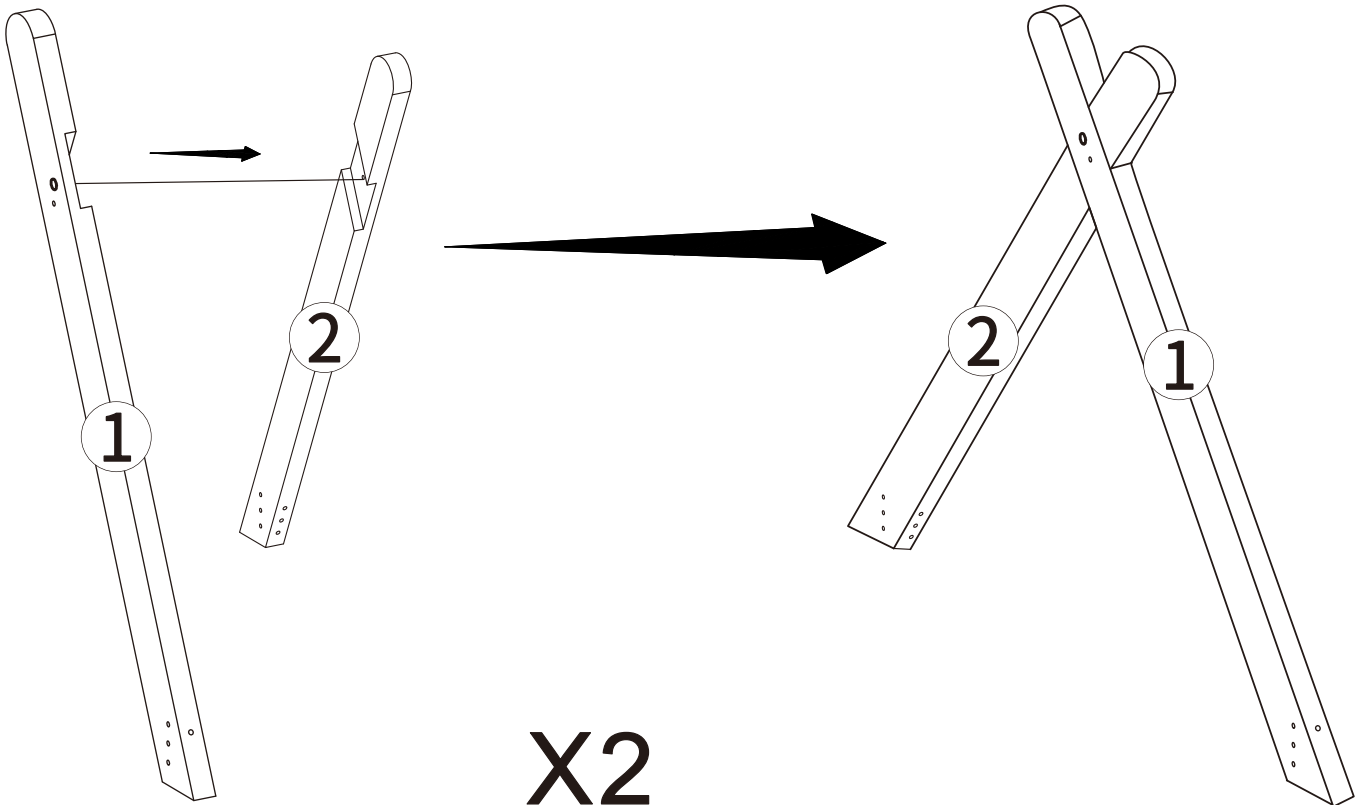
C x14



φ8 x30mm



Step 2.



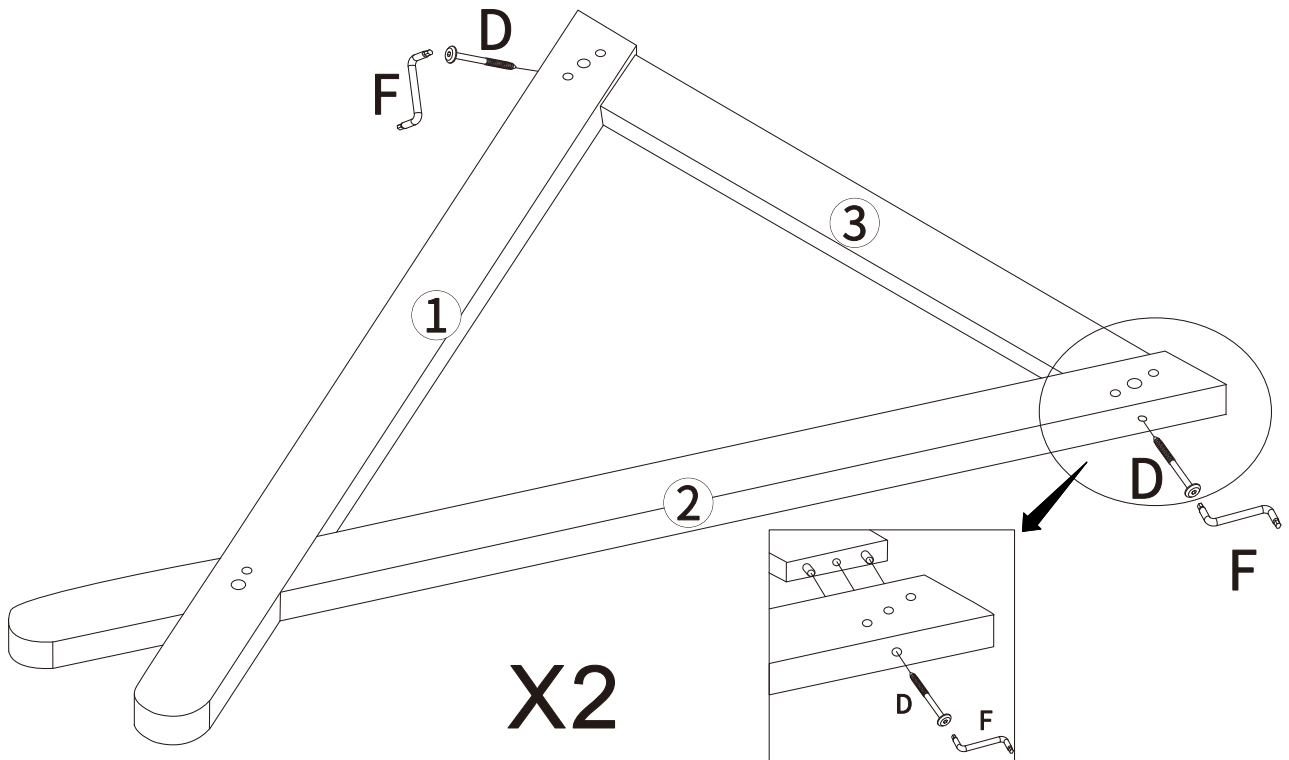
Step 3.

D x 4



φ6x100mm

F x 1



Step 4.

A x 10

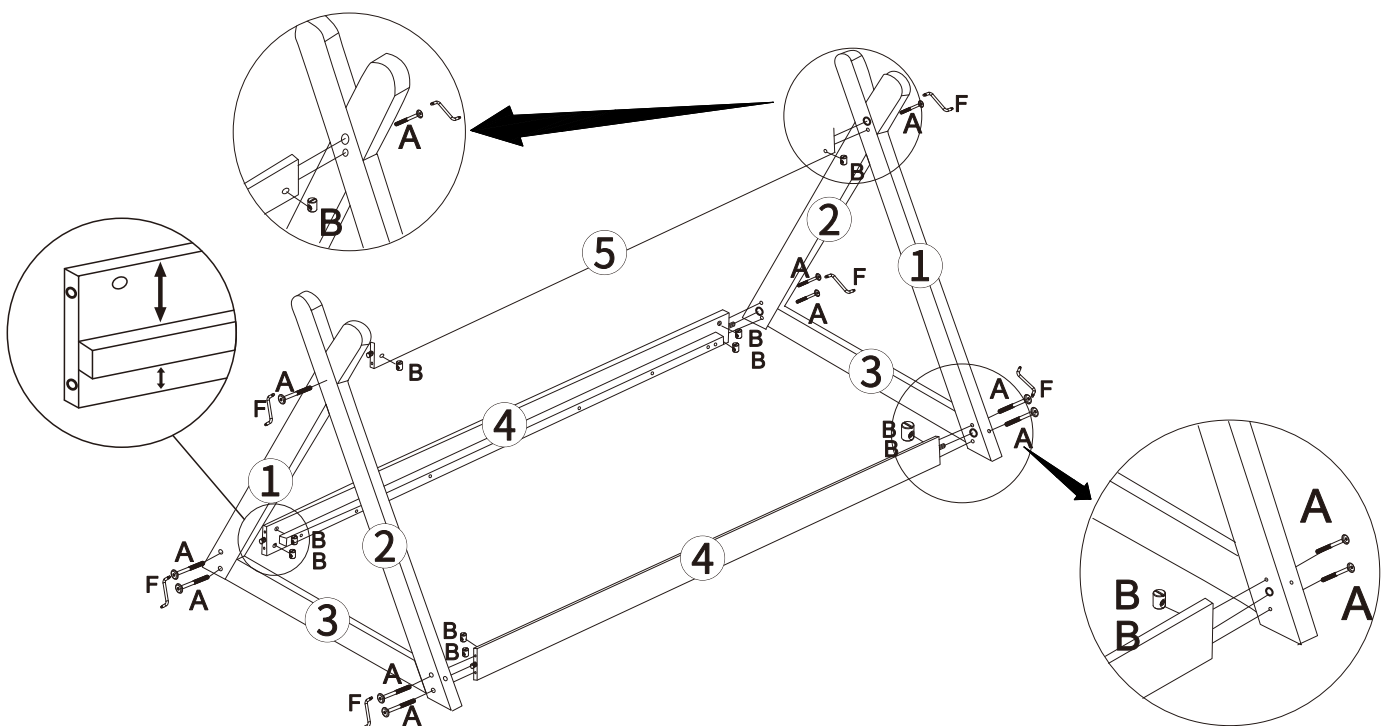


M6 x 80mm

B x 10



F x 1

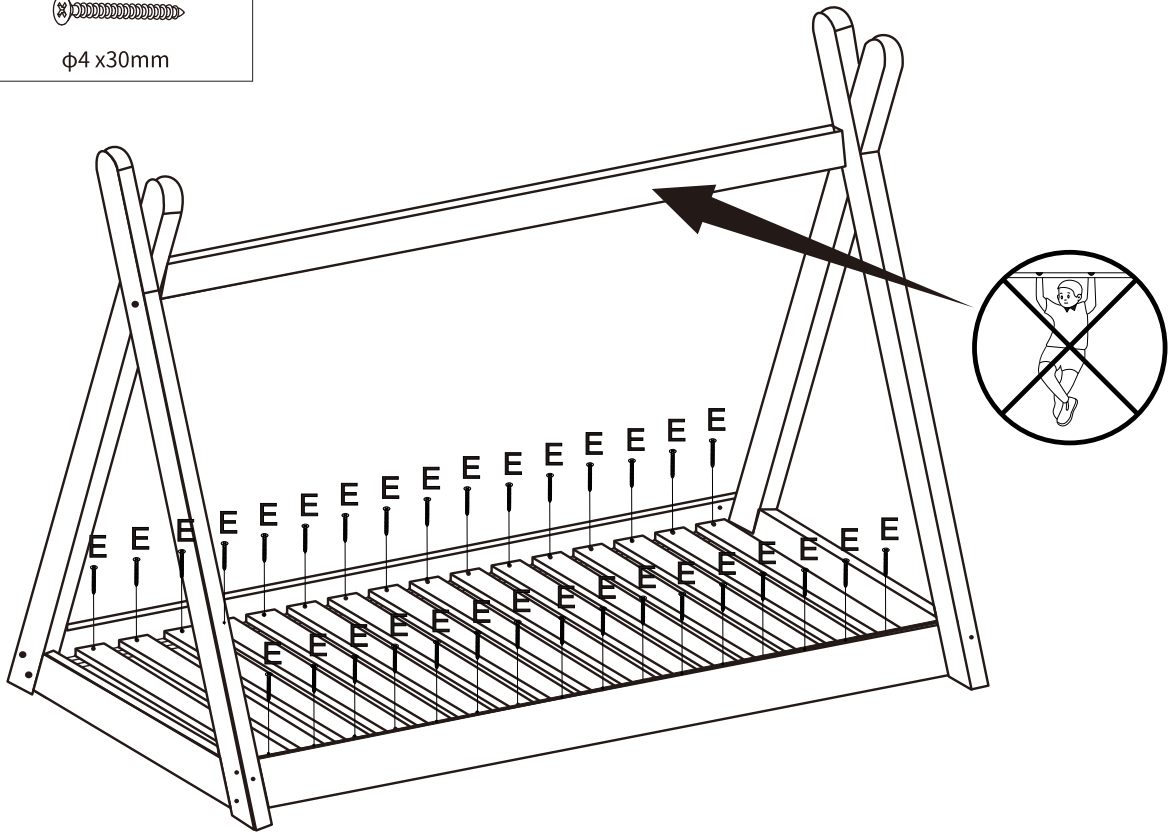


Step 5.

E x32



φ4 x30mm



Step 6.

