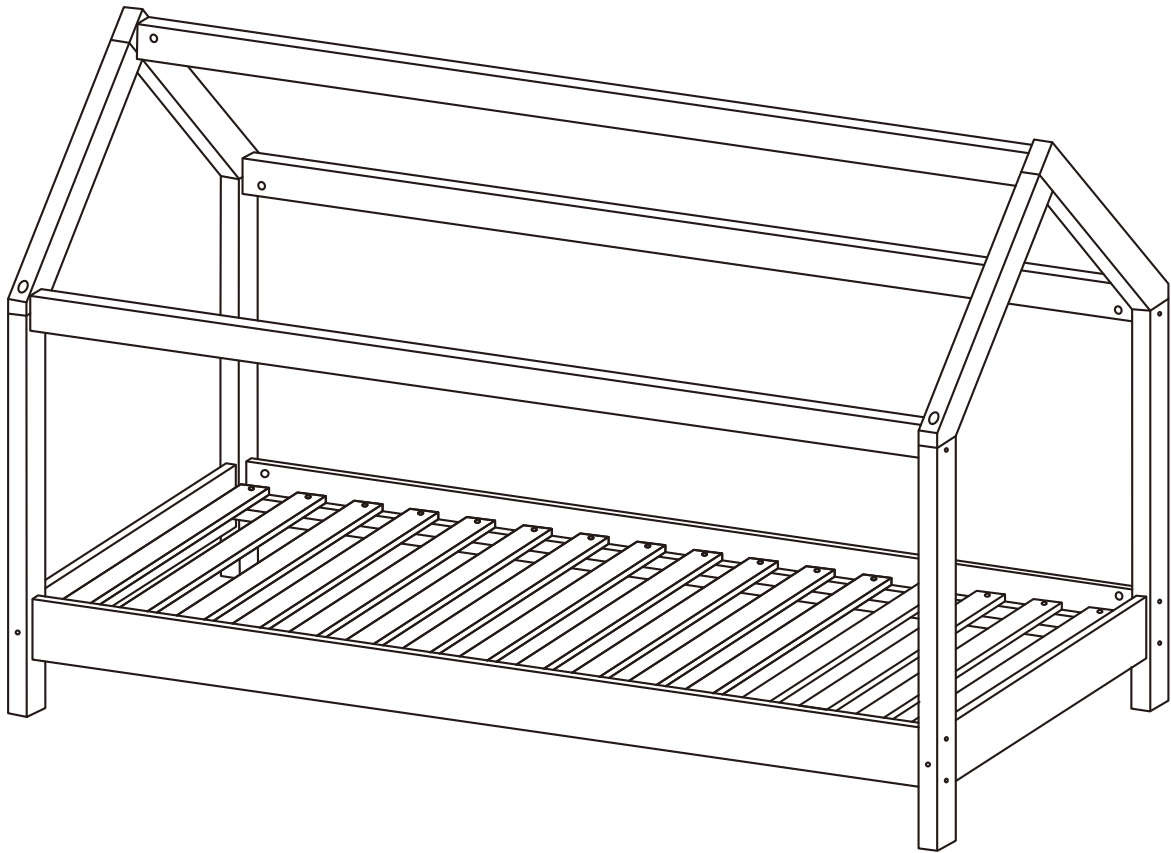
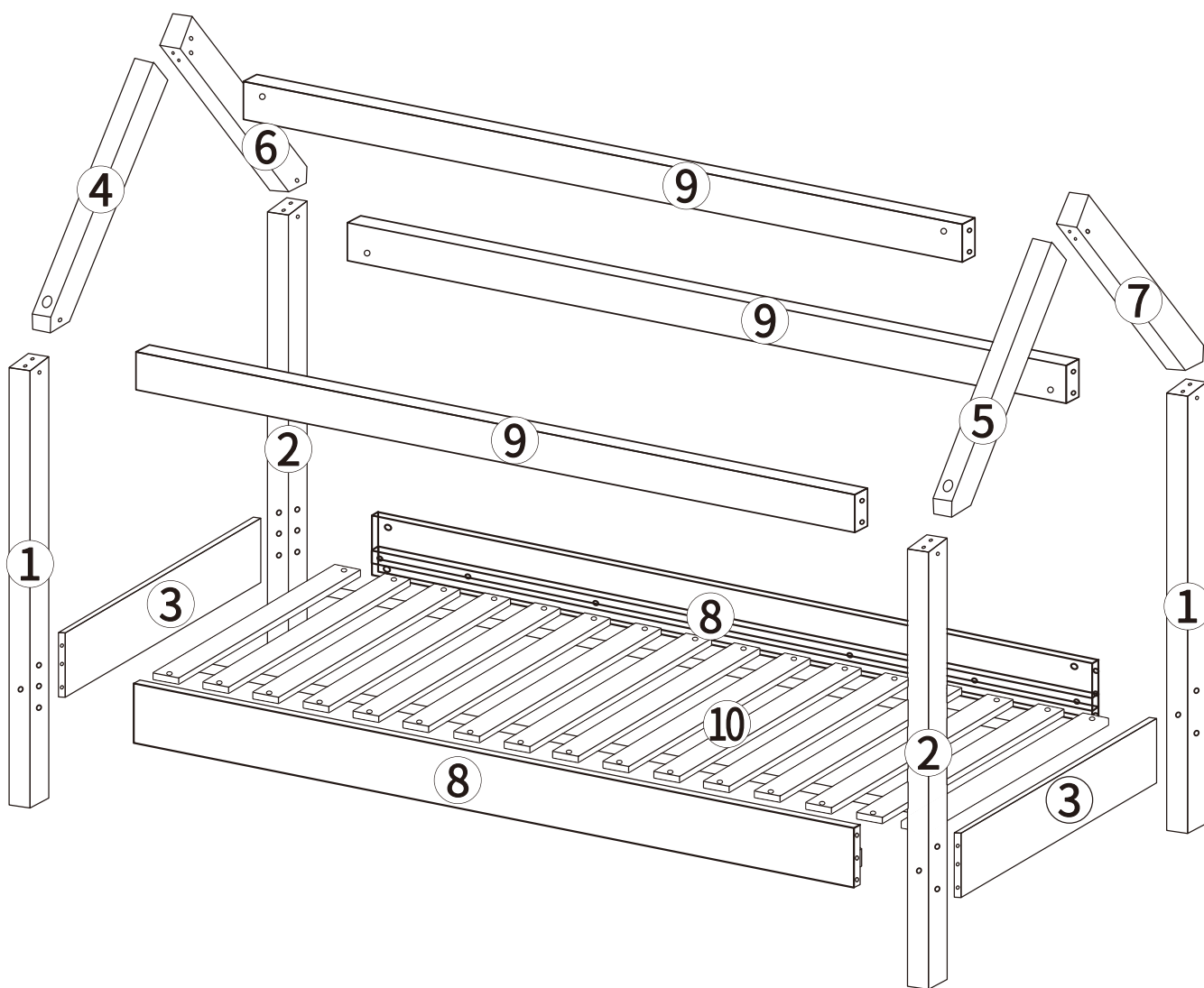


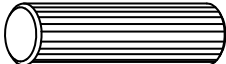

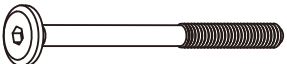

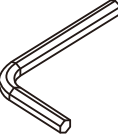
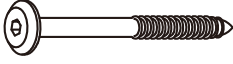


# Assembly instruction





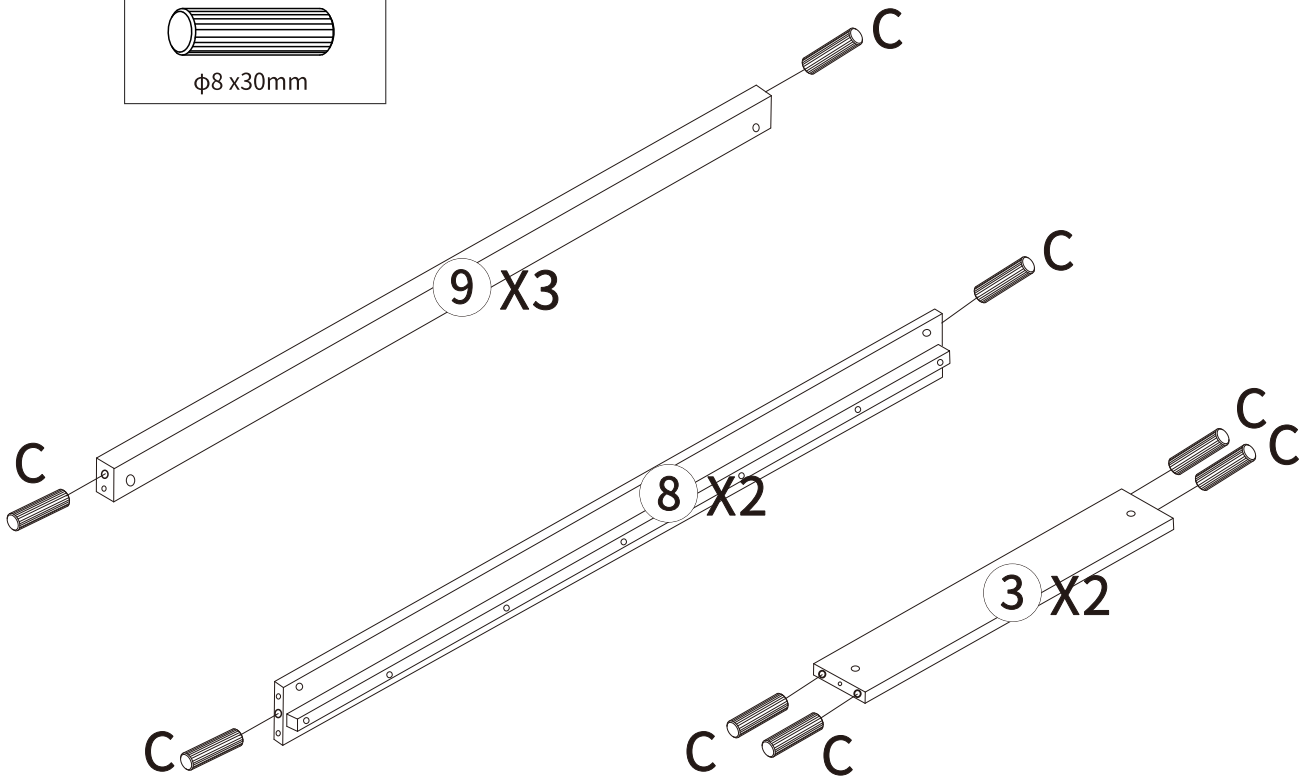
<p>A x14</p>  <p>M6 x80mm</p>	<p>B x18</p> 	<p>C x24</p>  <p>φ8 x30mm</p>	<p>D x4</p>  <p>φ6x80mm</p>
<p>E x4</p>  <p>Φ6x100mm</p>	<p>F x32</p>  <p>φ4 x30mm</p>	<p>G x1</p> 	<p>H x2</p>  <p>φ6 x100mm</p>

Step 1.

C x 18



φ8 x 30mm

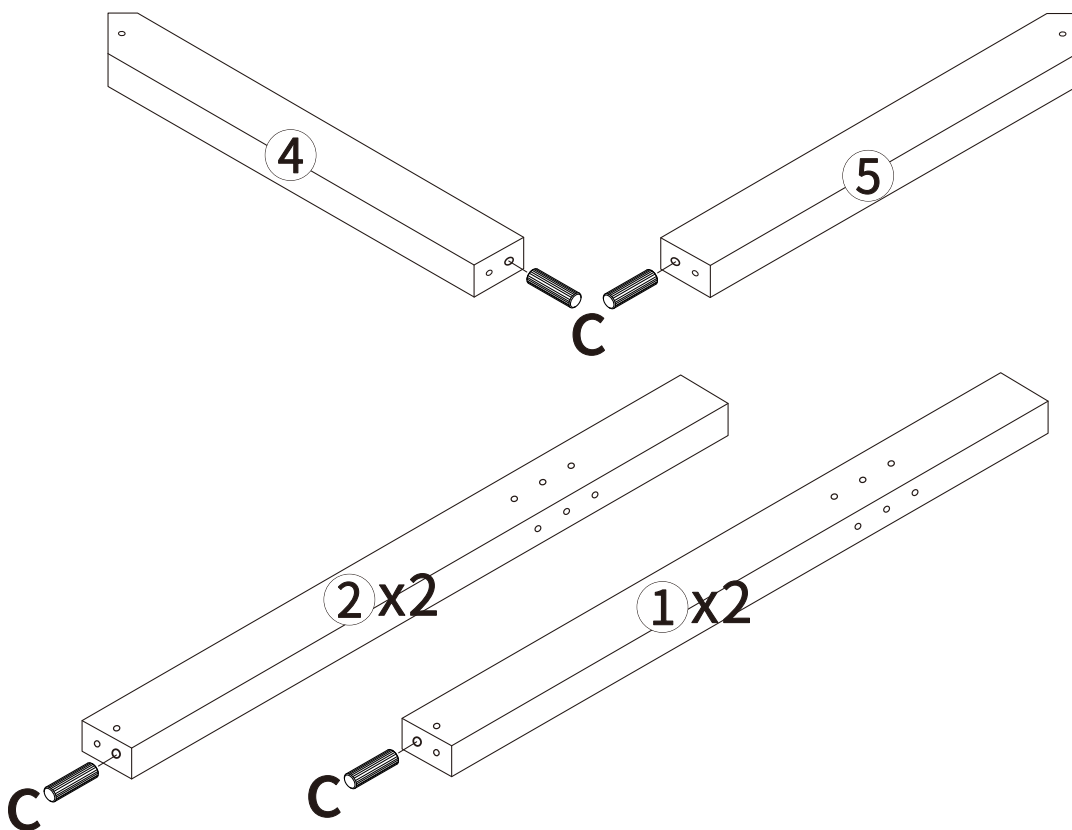


Step 2.

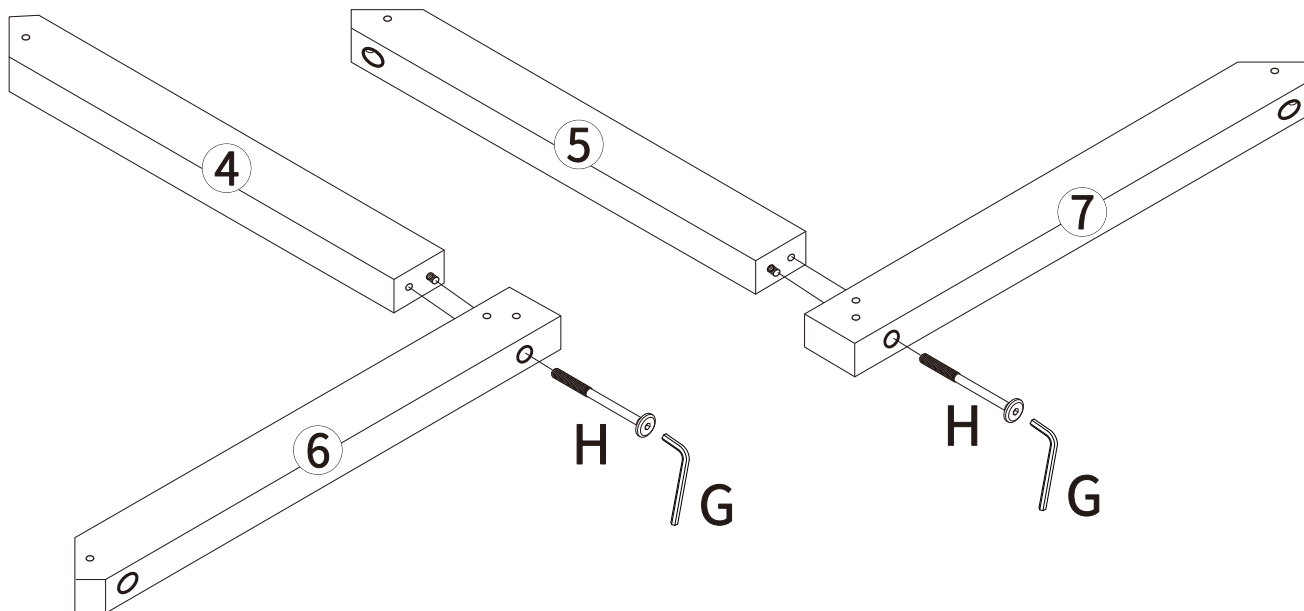
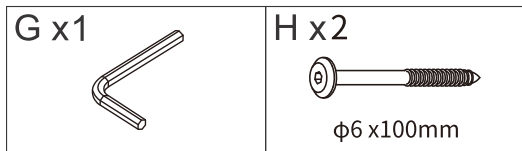
C x 6



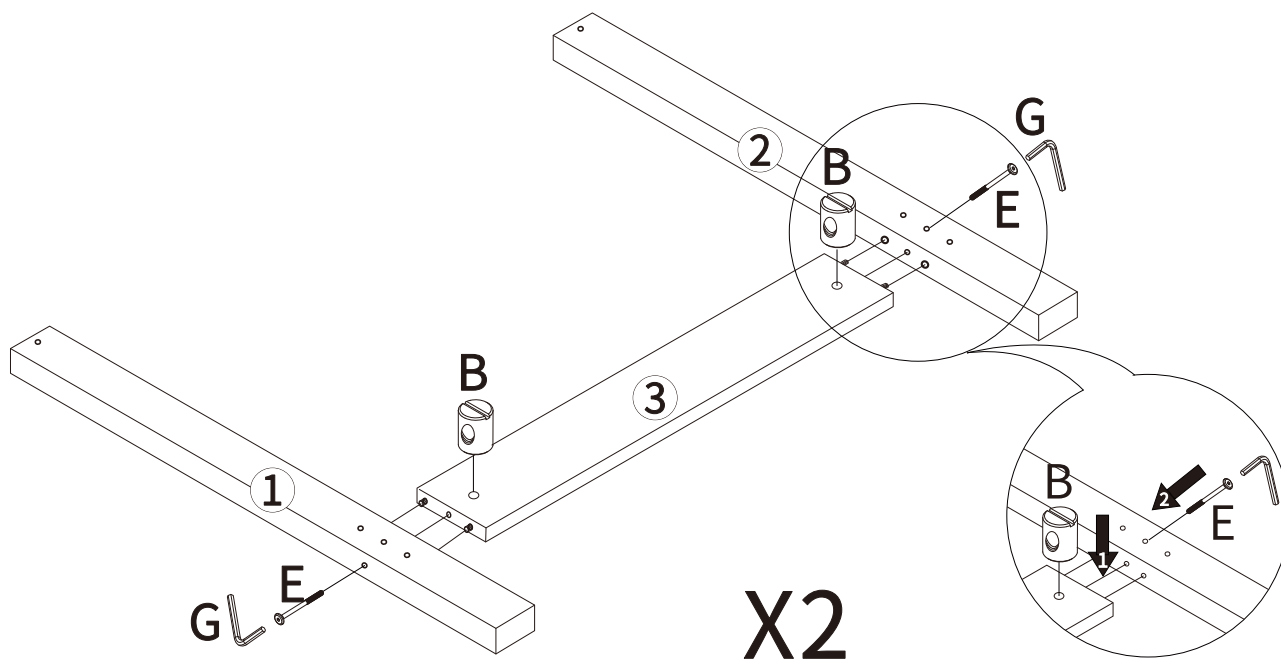
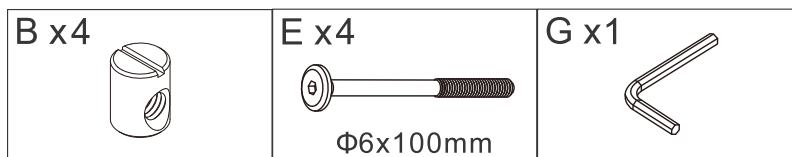
φ8 x 30mm



### Step 3.



### Step 4.



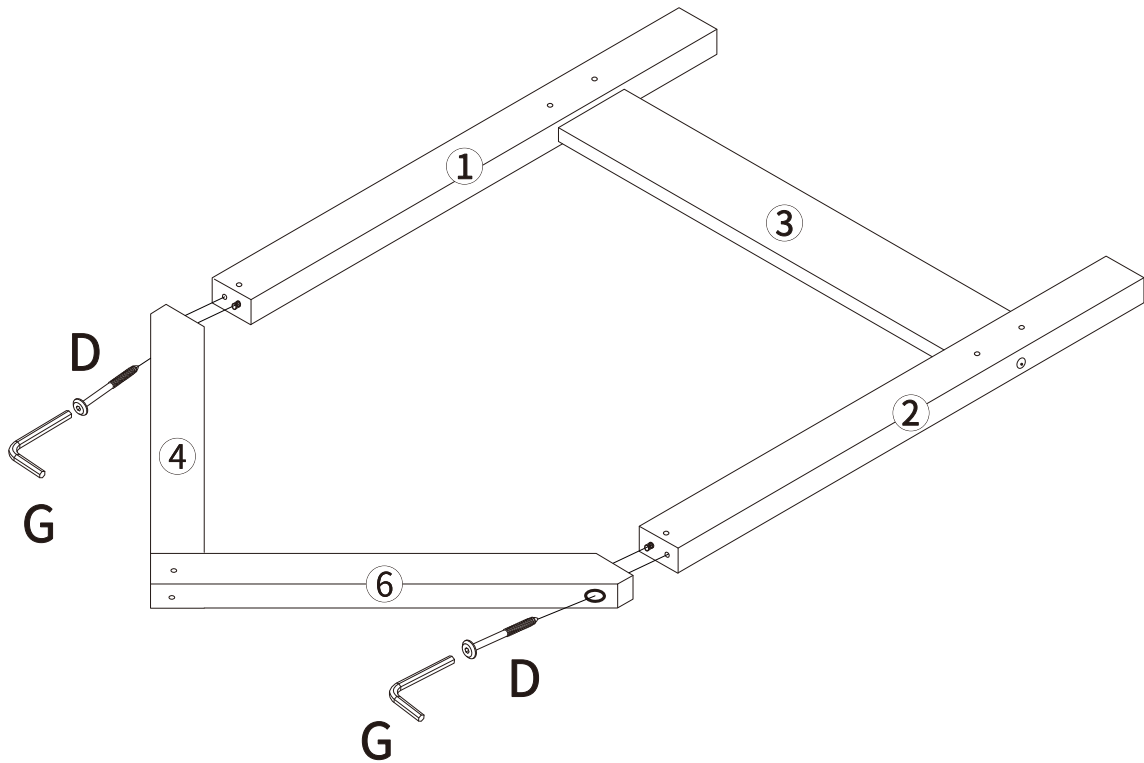
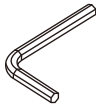
### Step 5.

D x 2



$\phi 6 \times 80 \text{mm}$

G x 1



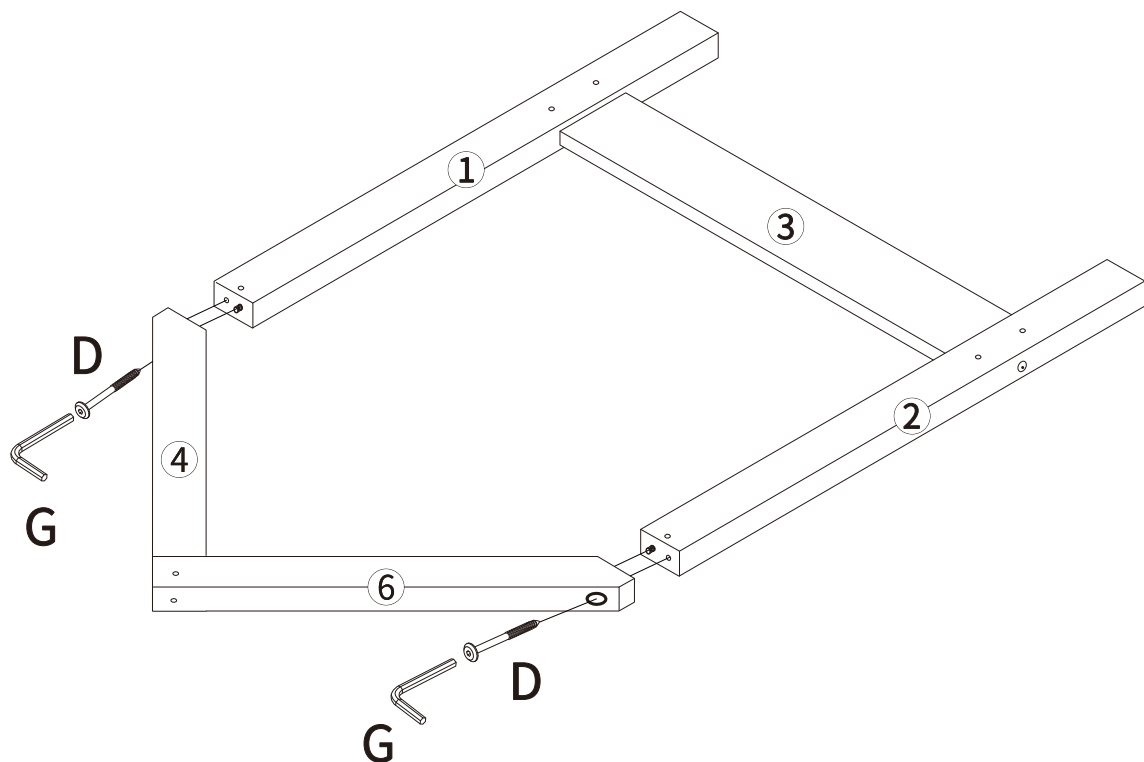
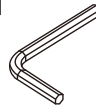
### Step 6.

D x 2

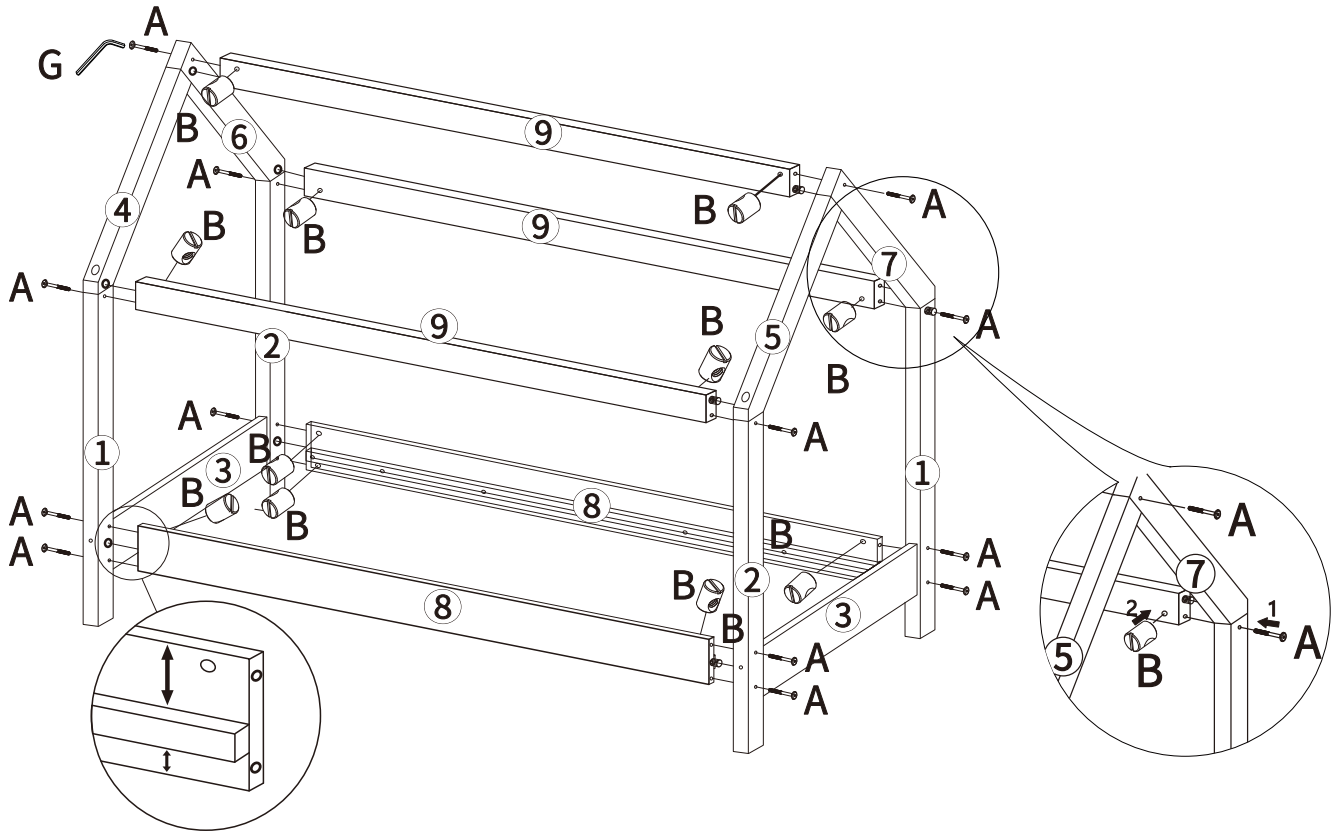
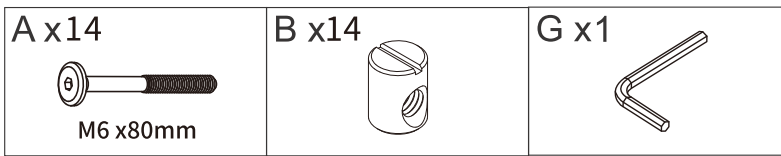


$\phi 6 \times 80 \text{mm}$

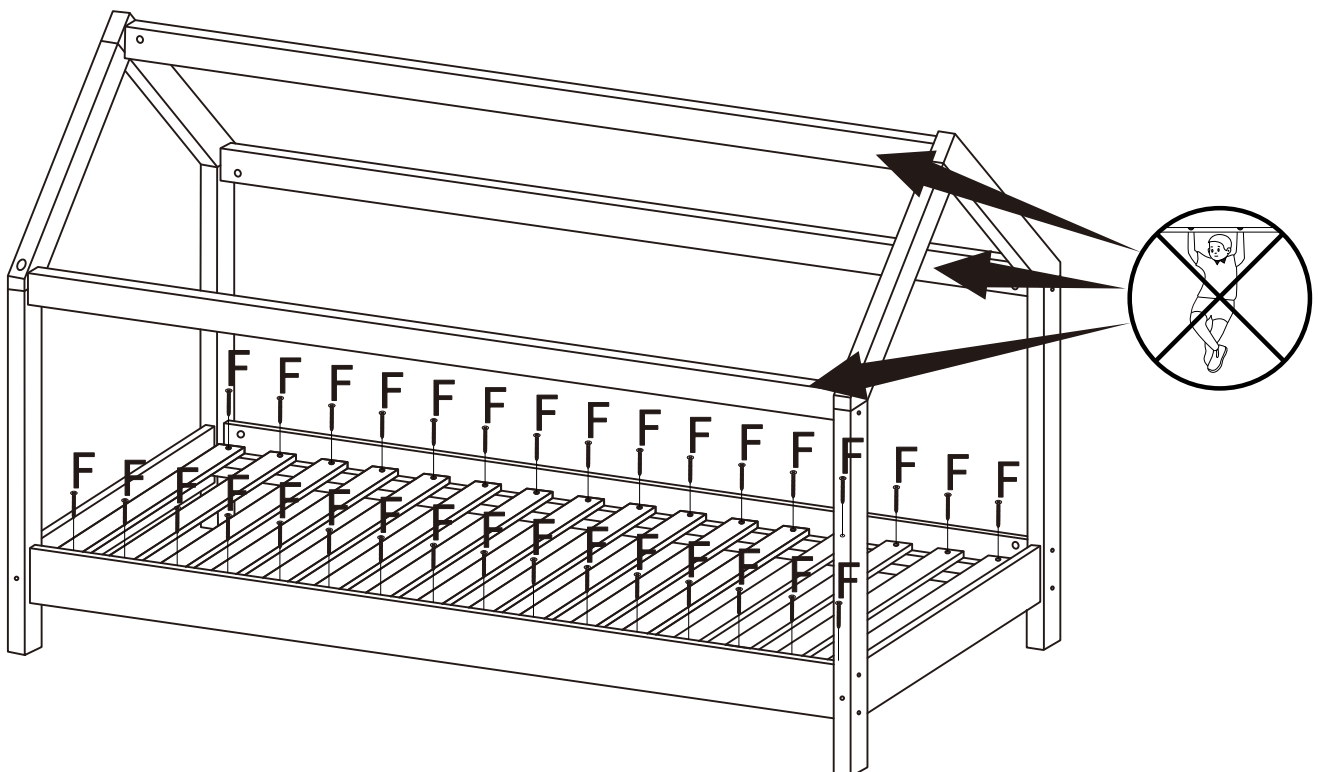
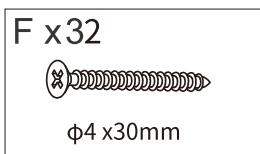
G x 1



### Step 7.



### Step 8.



---

Step 9.

