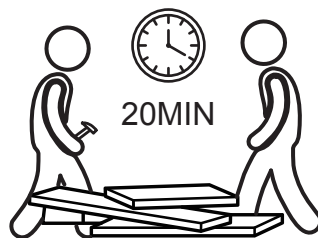
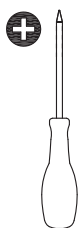
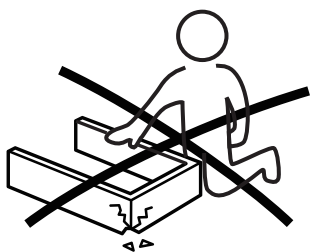
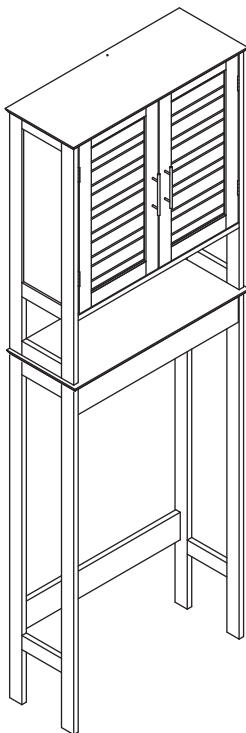
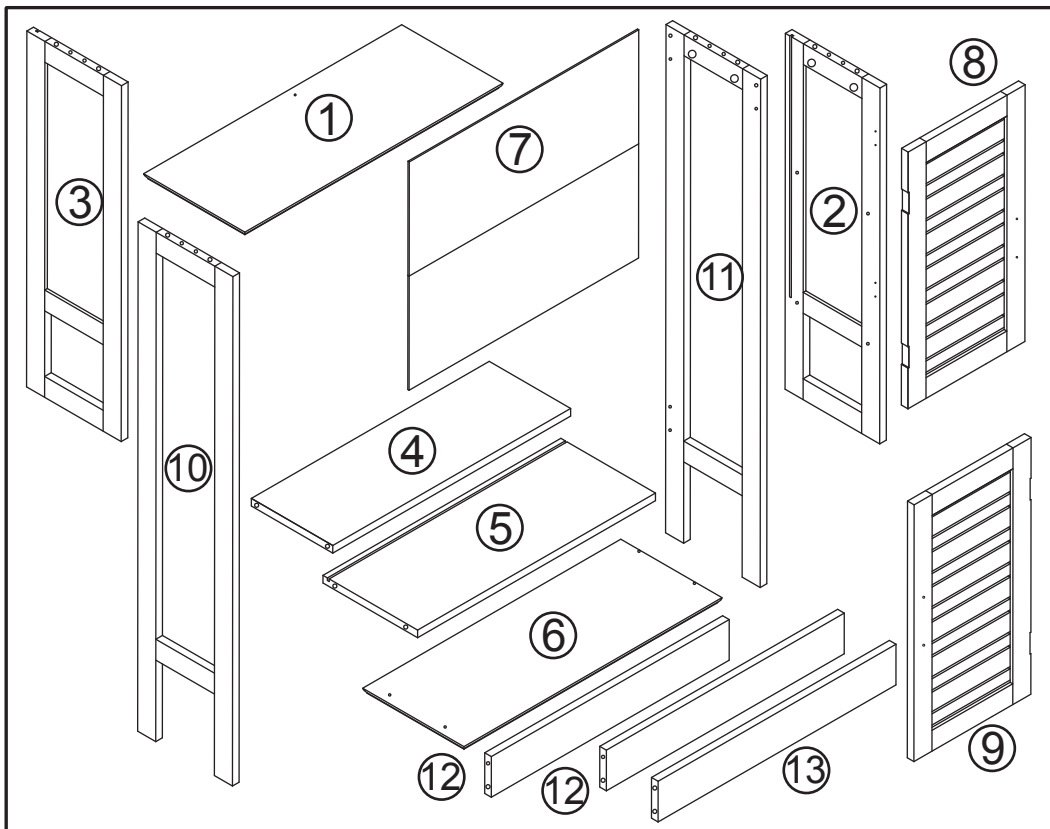
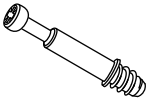

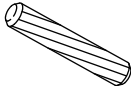
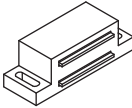




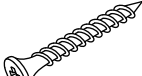
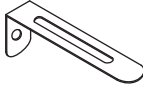





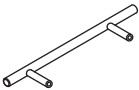


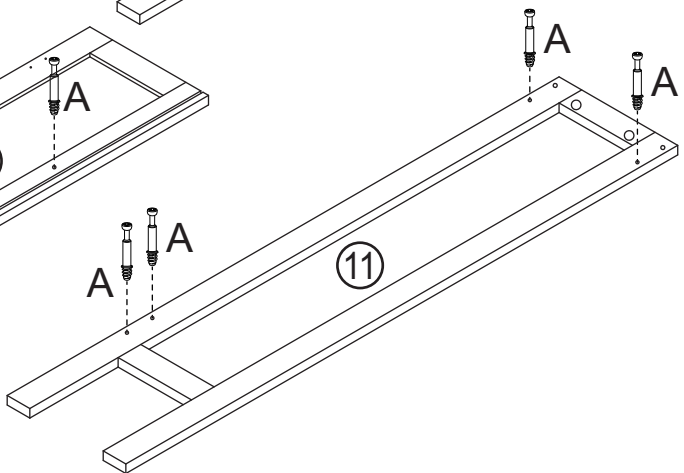
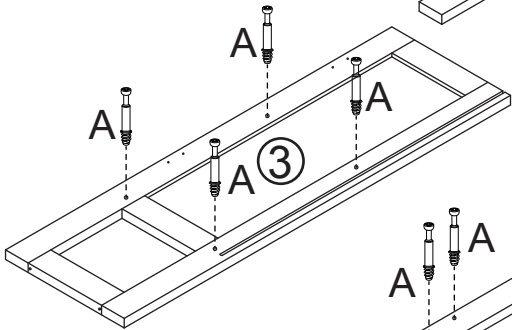
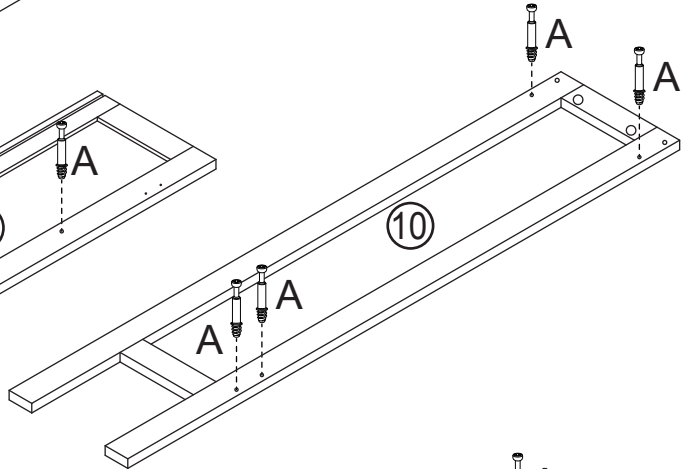
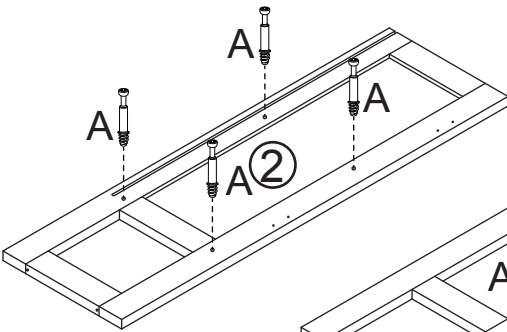
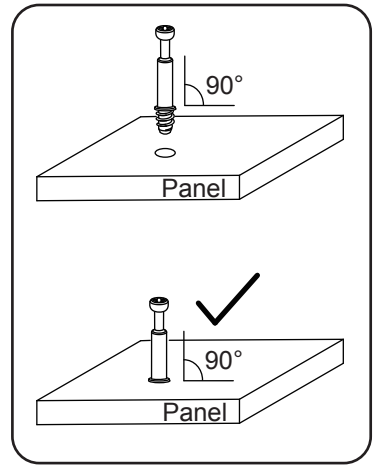
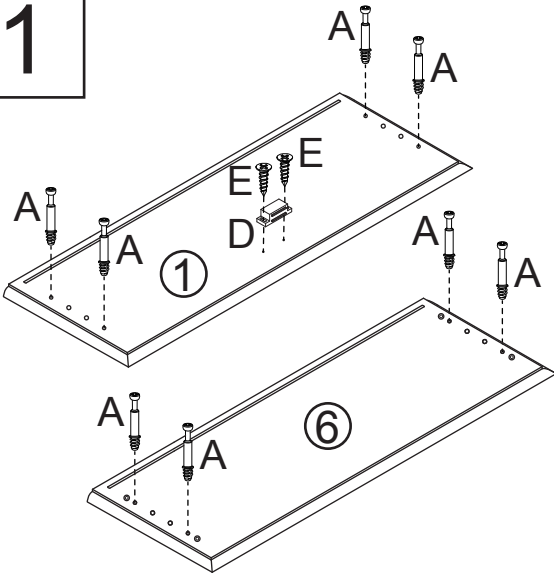
9904-306



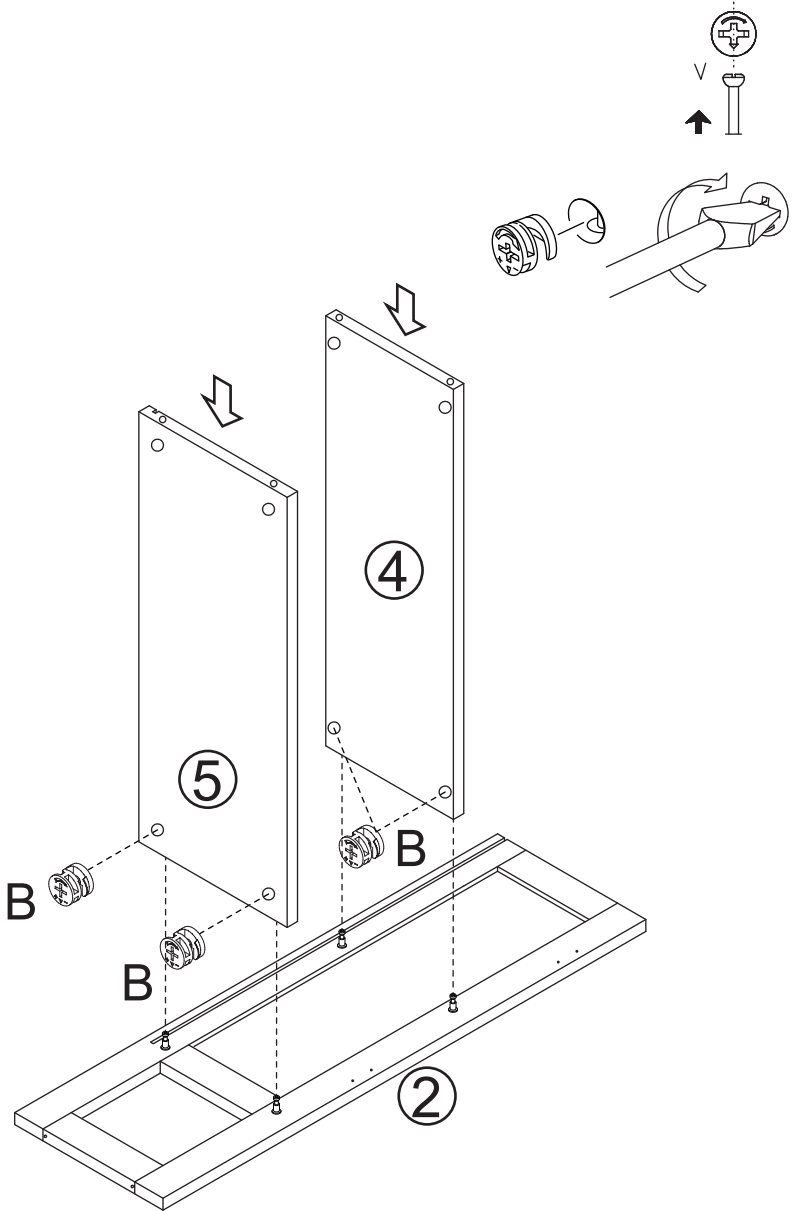


<p>Ax24</p>  <p>6x35mm</p>	<p>Bx24</p>  <p>15x12mm</p>	<p>Cx12</p>  <p>6x30mm</p>	<p>Dx1</p> 	<p>Ex6</p>  <p>3x14mm</p>	
<p>Fx4</p> 	<p>Gx18</p>  <p>3x12mm</p>	<p>Hx2</p> 	<p>Ix5</p>  <p>4x35mm</p>	<p>Jx1</p> 	
<p>Kx1</p> 	<p>Lx1</p> 	<p>Mx4</p> 	<p>Nx4</p> 	<p>Ox4</p> 	<p>Px2</p>  <p>2/12</p>

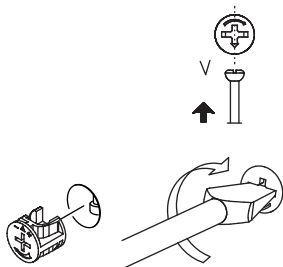
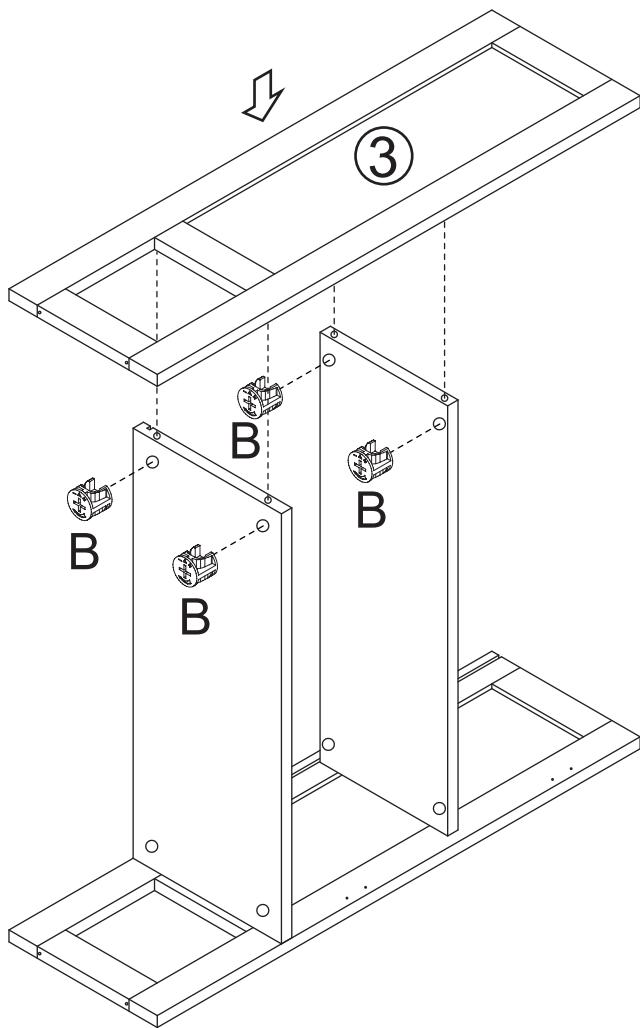
1



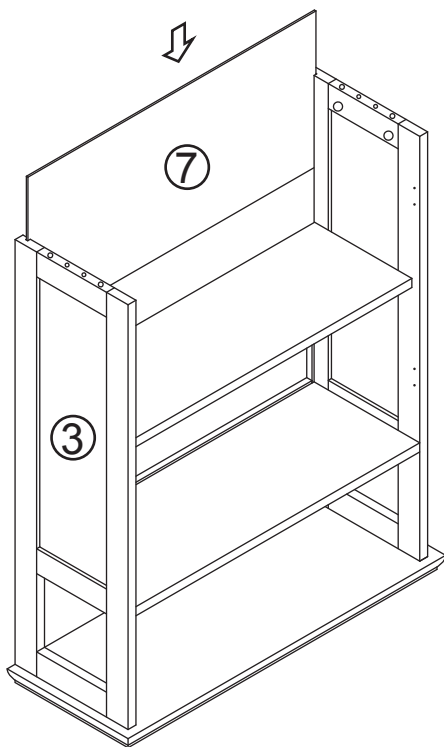
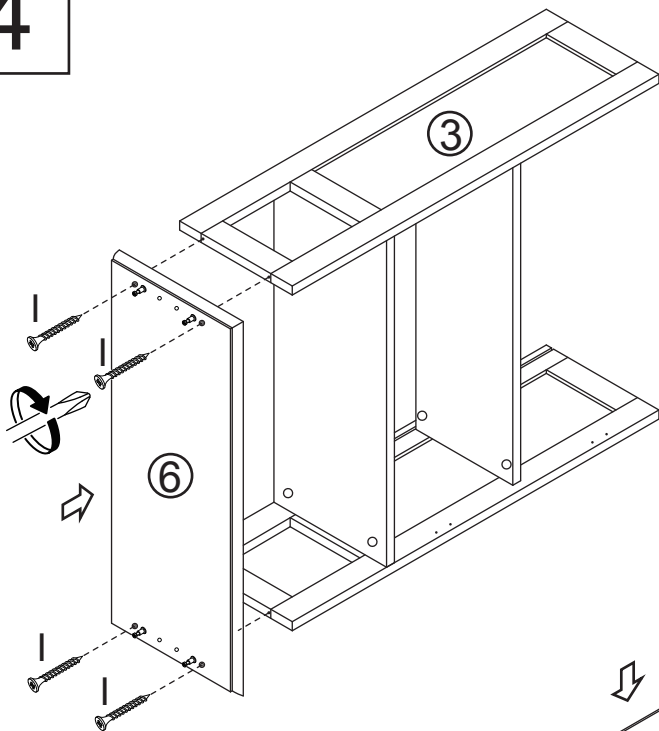
2



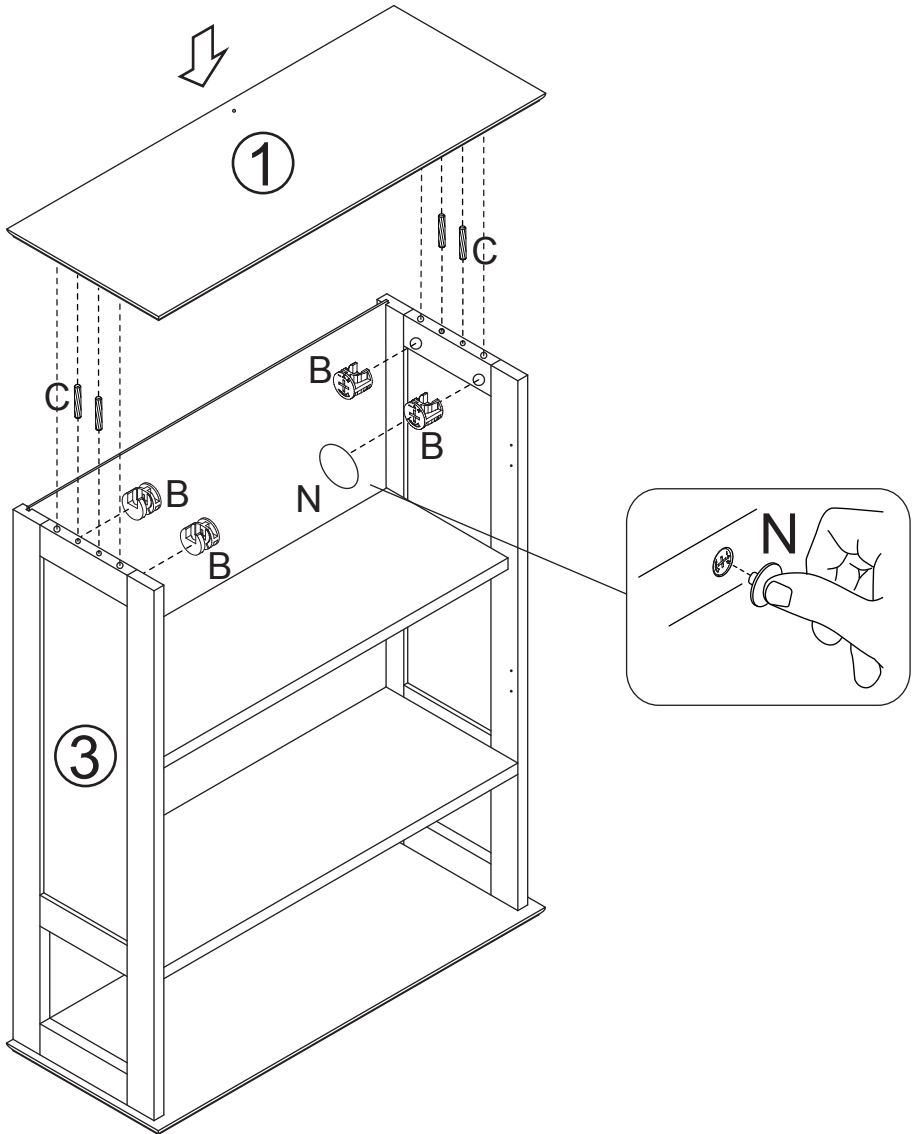
3



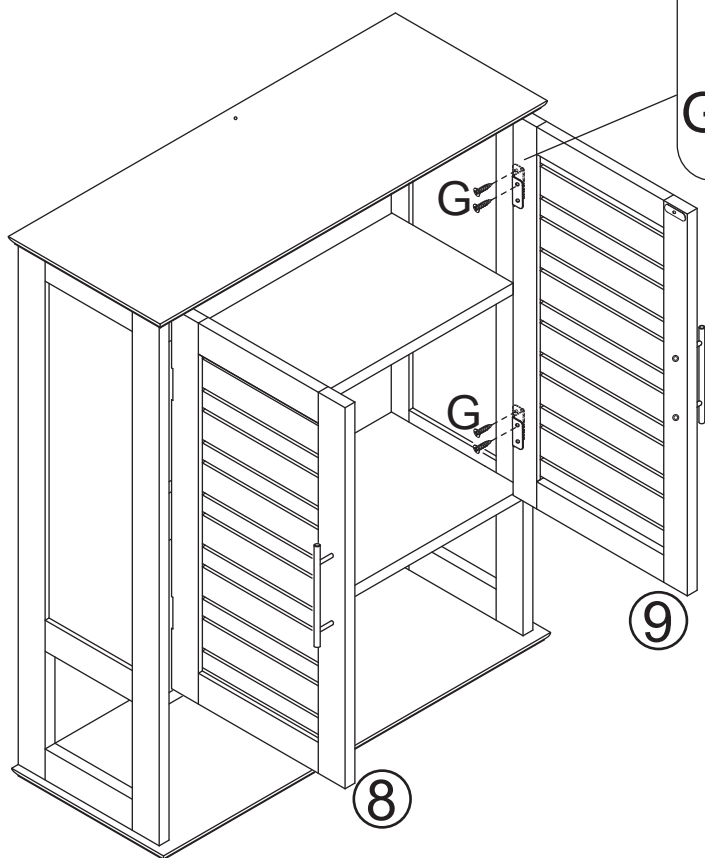
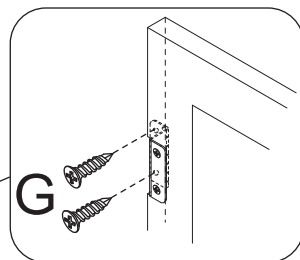
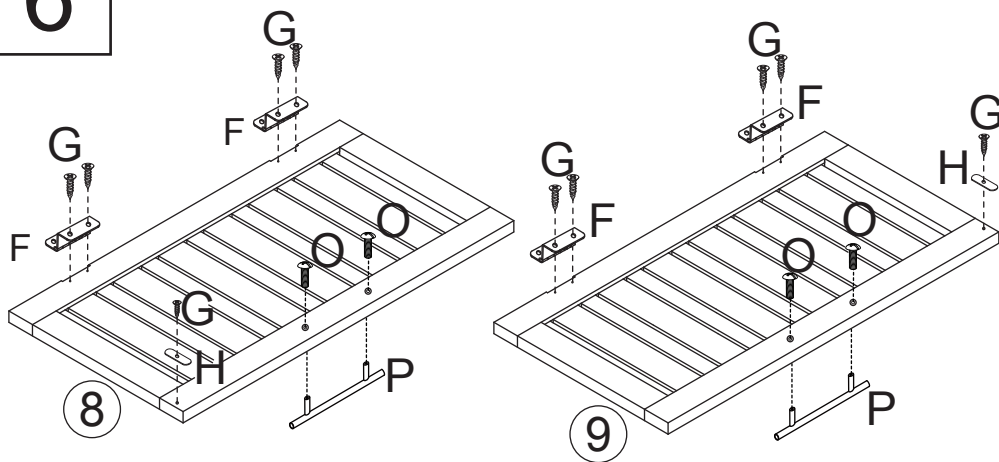
4



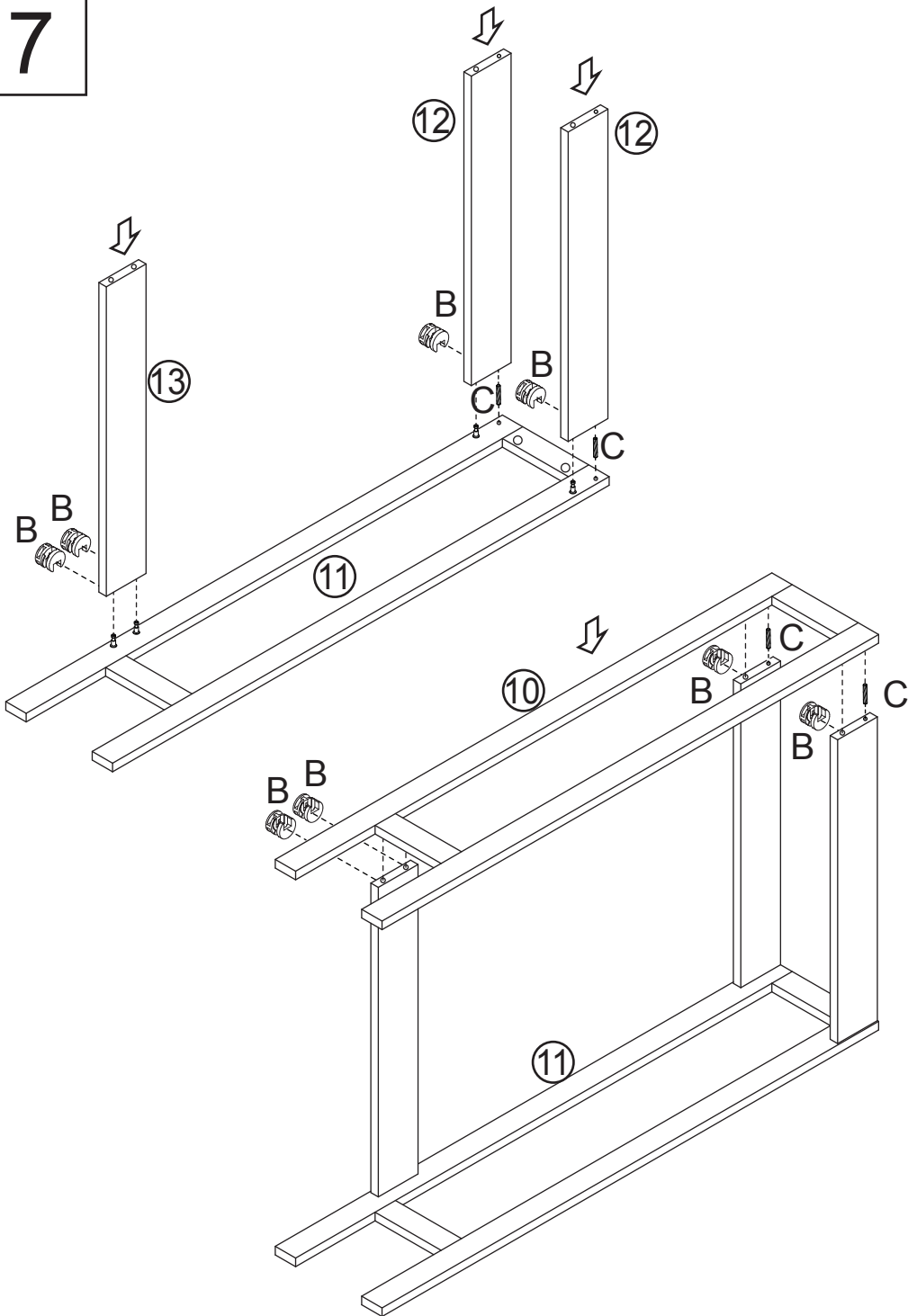
5



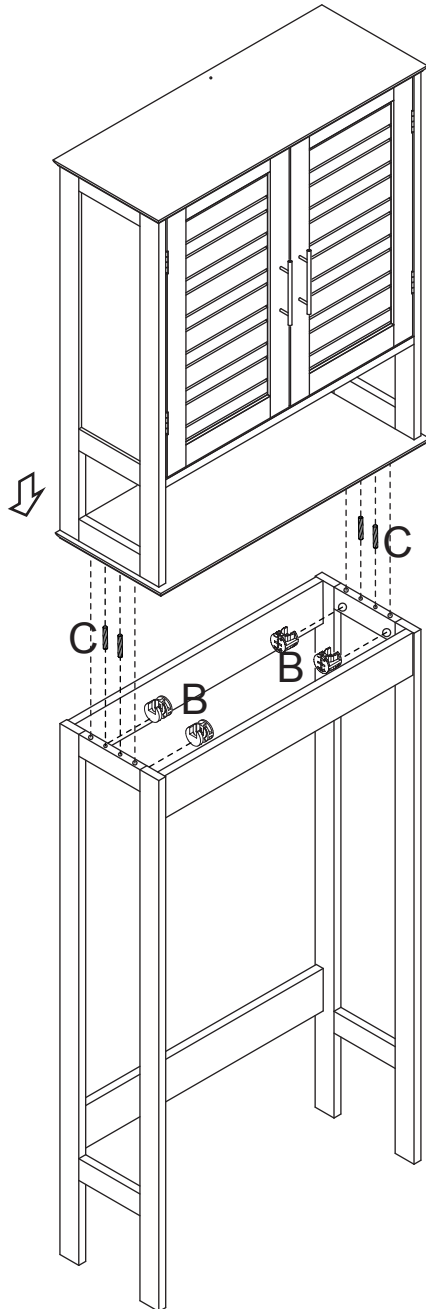
6



7

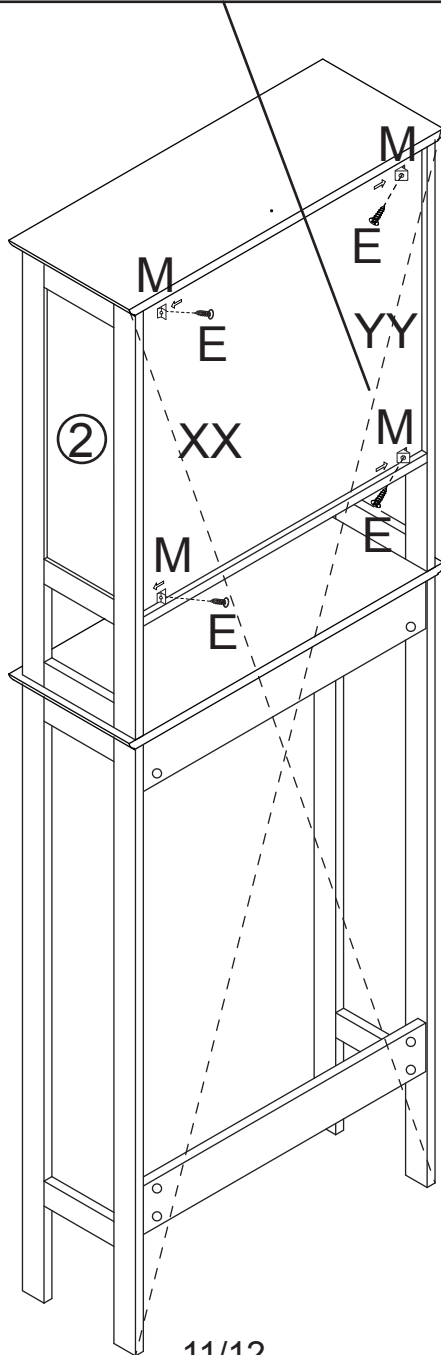


8



9

Avant de fixer "M", s'assurer que la dimension "XX=YY".
Before fix "M", please make sure size "XX=YY".



10

