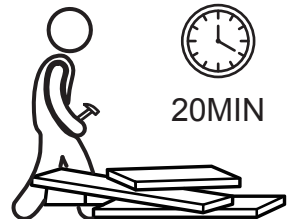
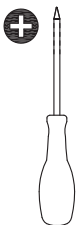
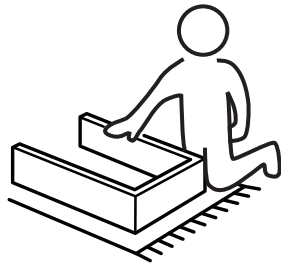
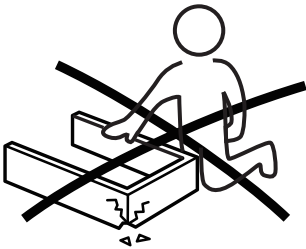
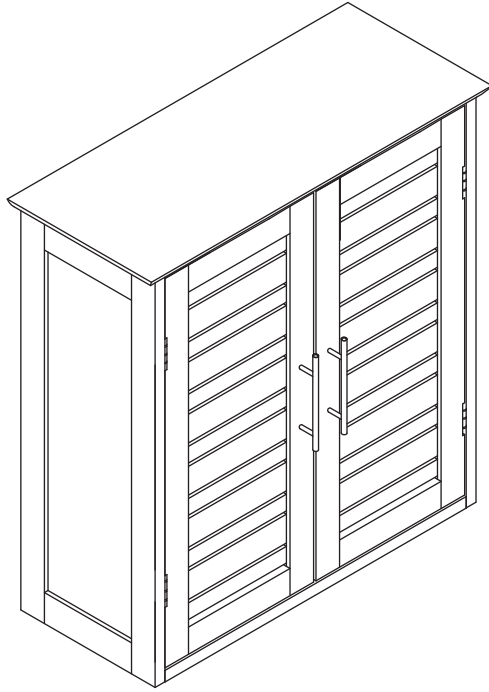
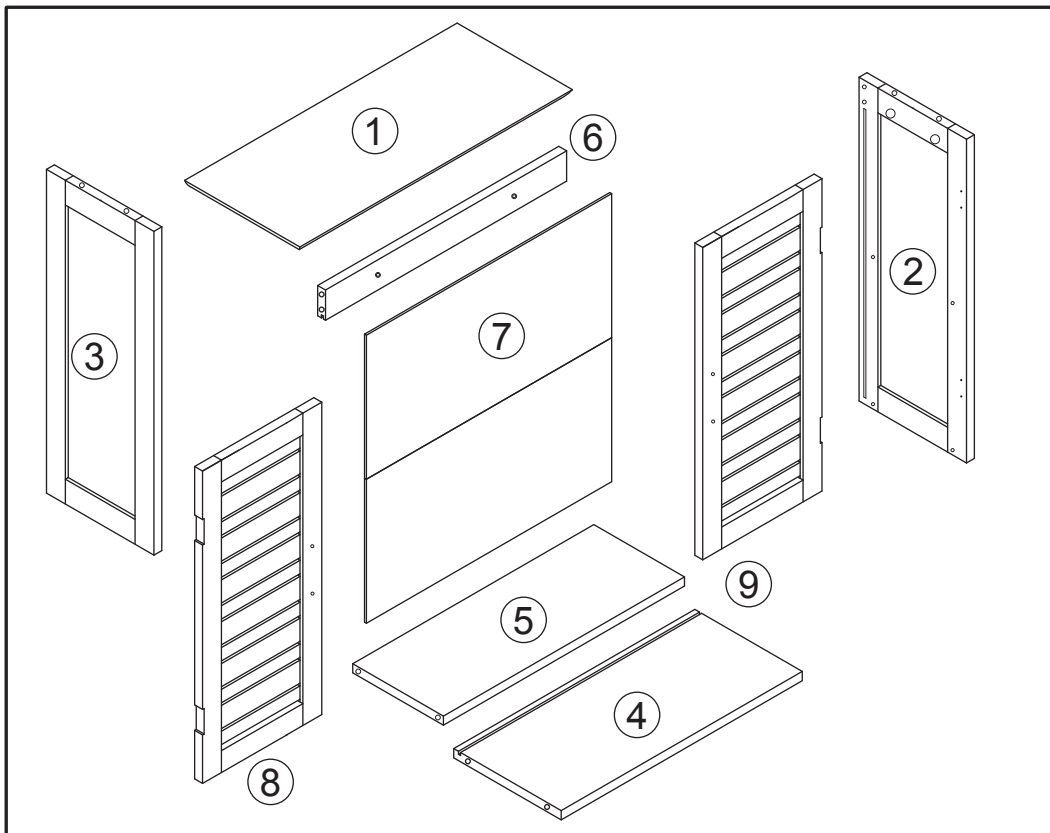
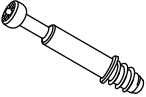


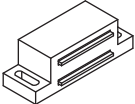




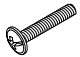
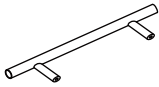
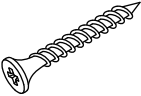





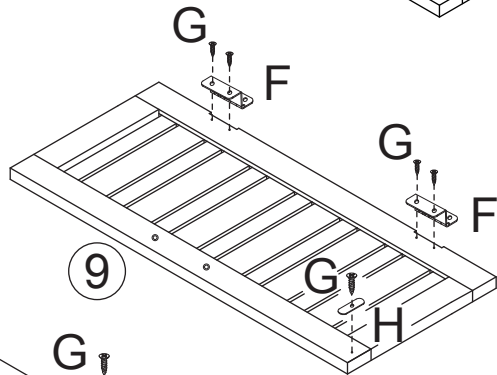
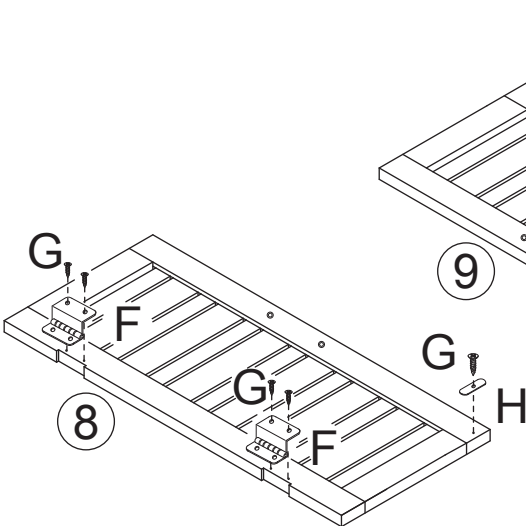
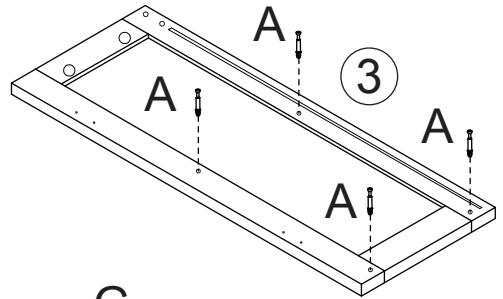
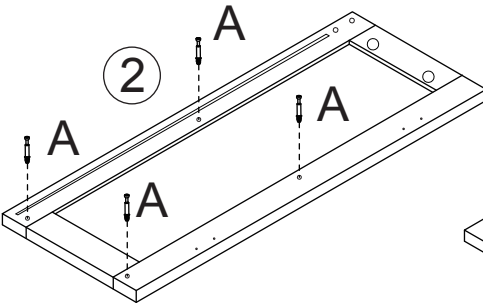
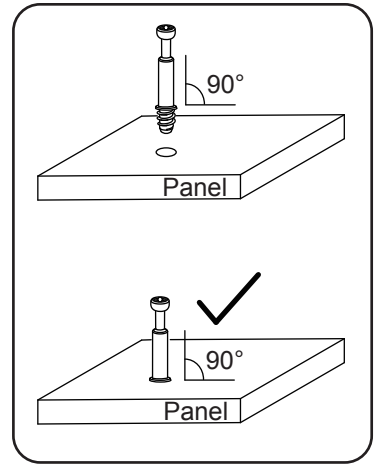
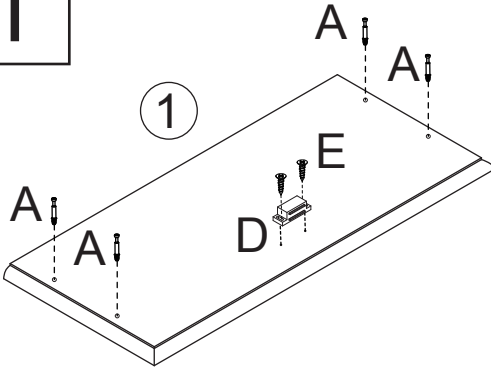
9903-306



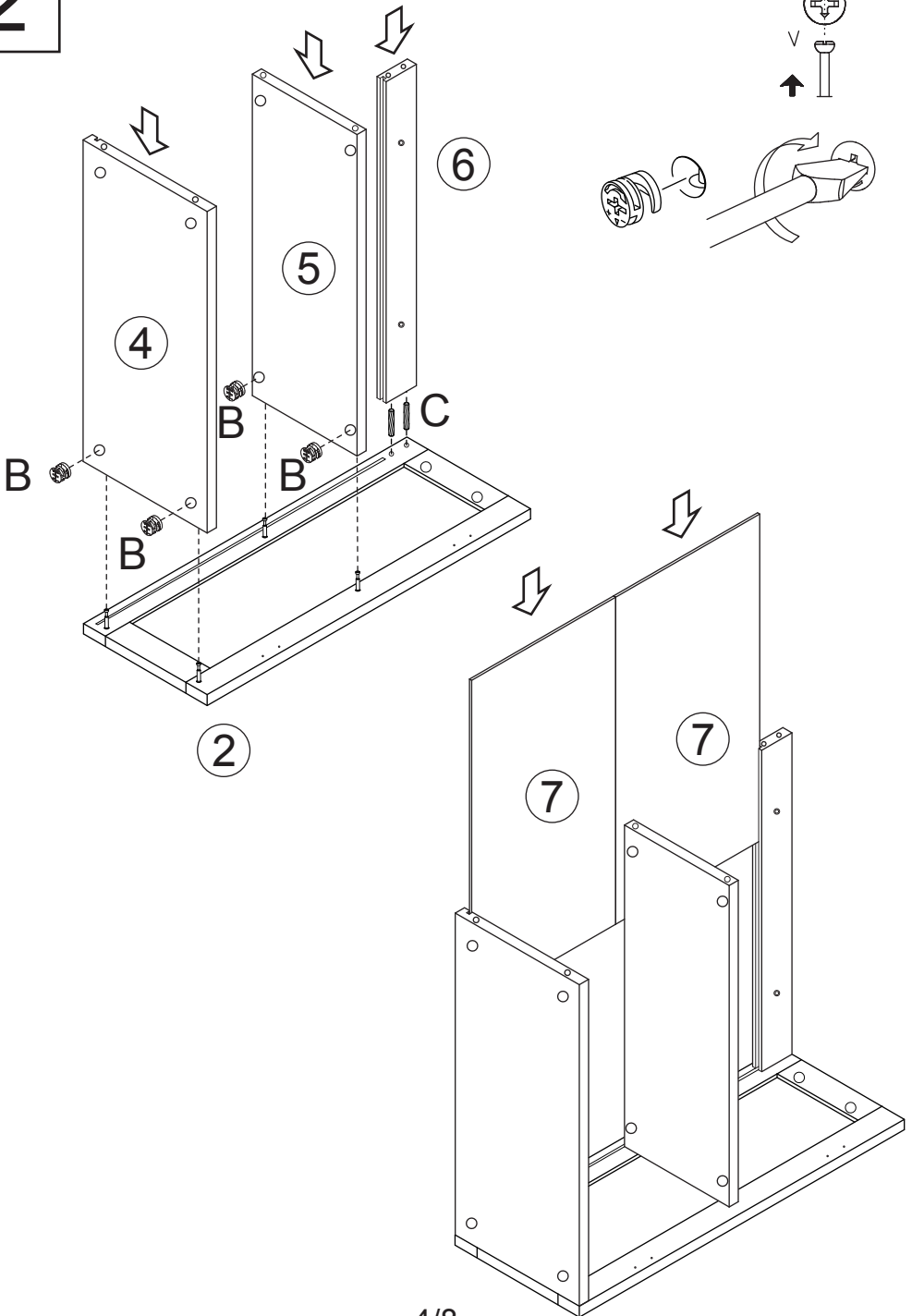


<p><b>Ax12</b></p>  <p>6x35mm</p>	<p><b>Bx12</b></p>  <p>15x12mm</p>	<p><b>Cx4</b></p>  <p>6x30mm</p>	<p><b>Dx1</b></p> 	<p><b>Ex6</b></p>  <p>3x14mm</p>
<p><b>Fx4</b></p> 	<p><b>Gx18</b></p>  <p>3x12mm</p>	<p><b>Hx2</b></p> 	<p><b>Ix4</b></p> 	<p><b>Jx2</b></p> 
<p><b>Kx2</b></p>  <p>4x35mm</p>	<p><b>Lx2</b></p> 	<p><b>Mx4</b></p> 	<p><b>Nx4</b></p> 	<p>2/8</p>

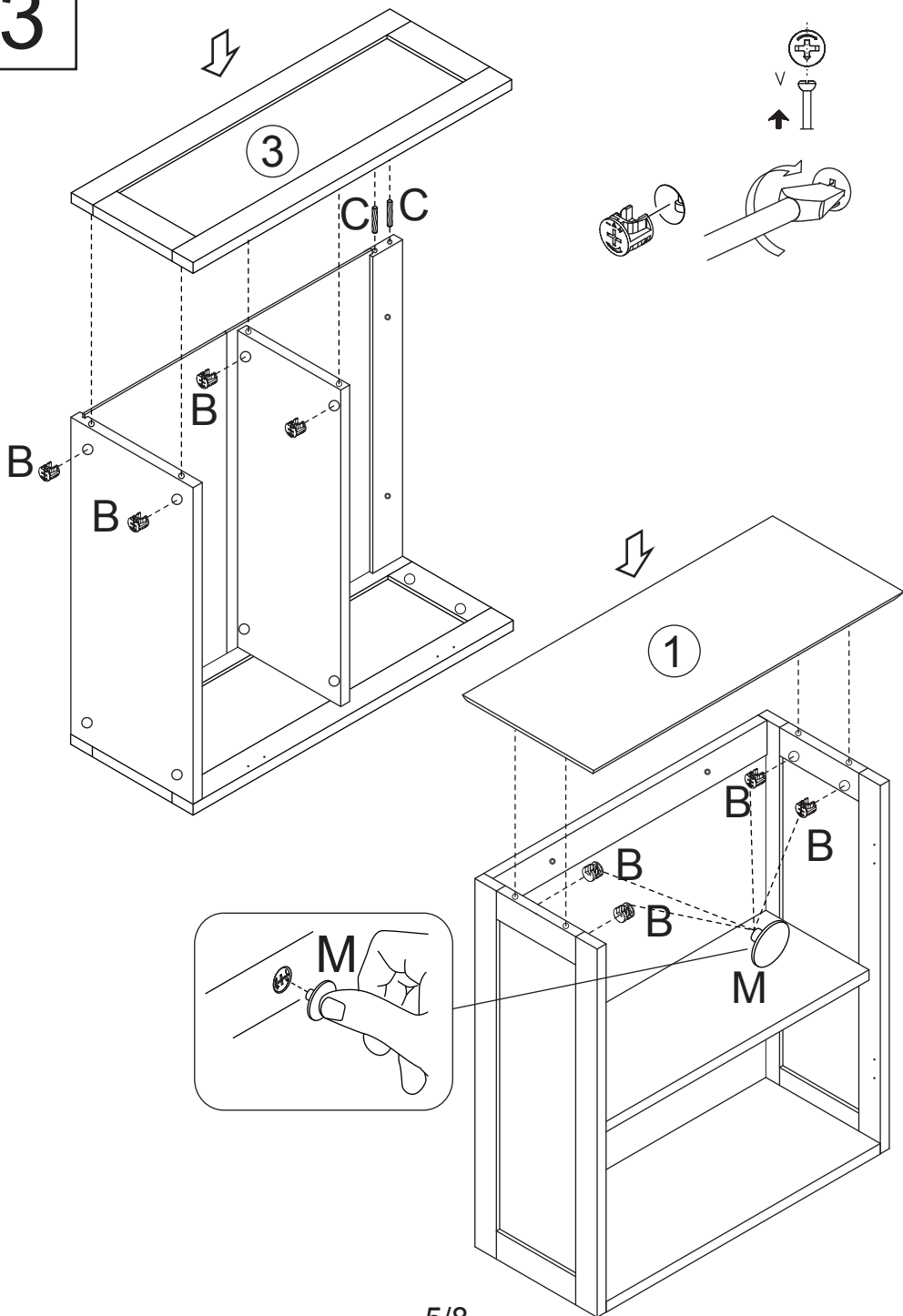
# 1



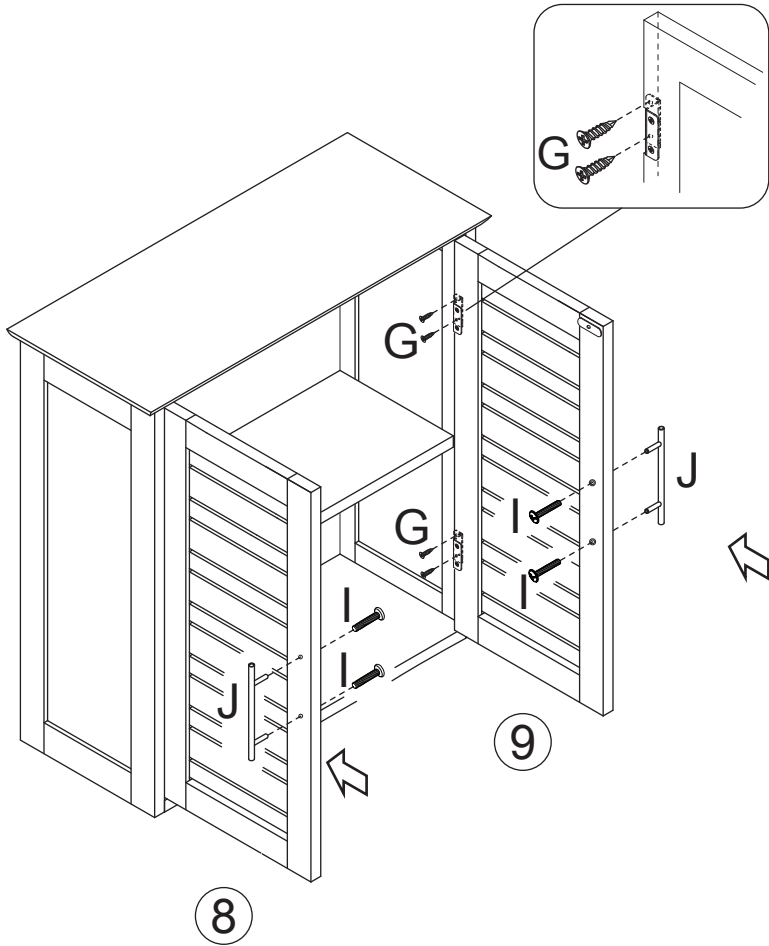
2



3

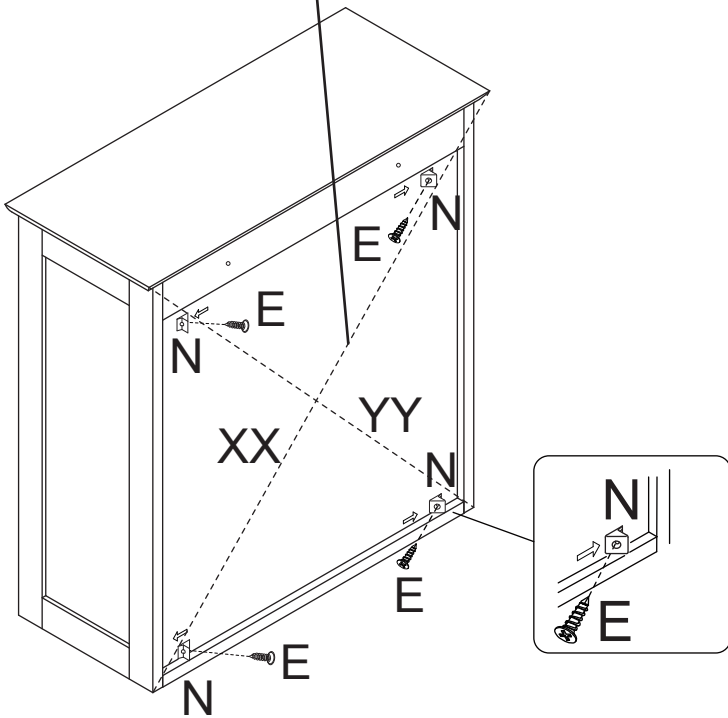


4



5

Avant de fixer "N", s'assurer que la dimension "XX=YY".  
Before fix "N", please make sure size "XX=YY".



6

