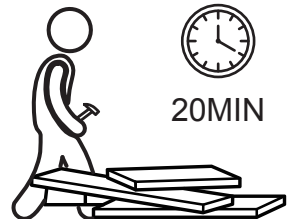
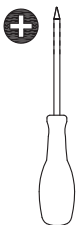
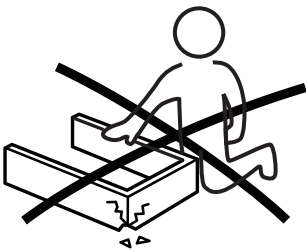
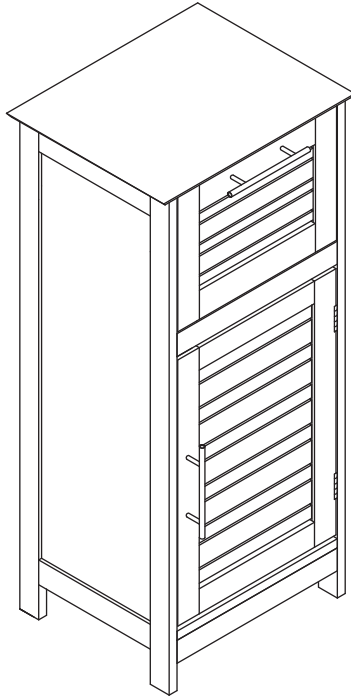
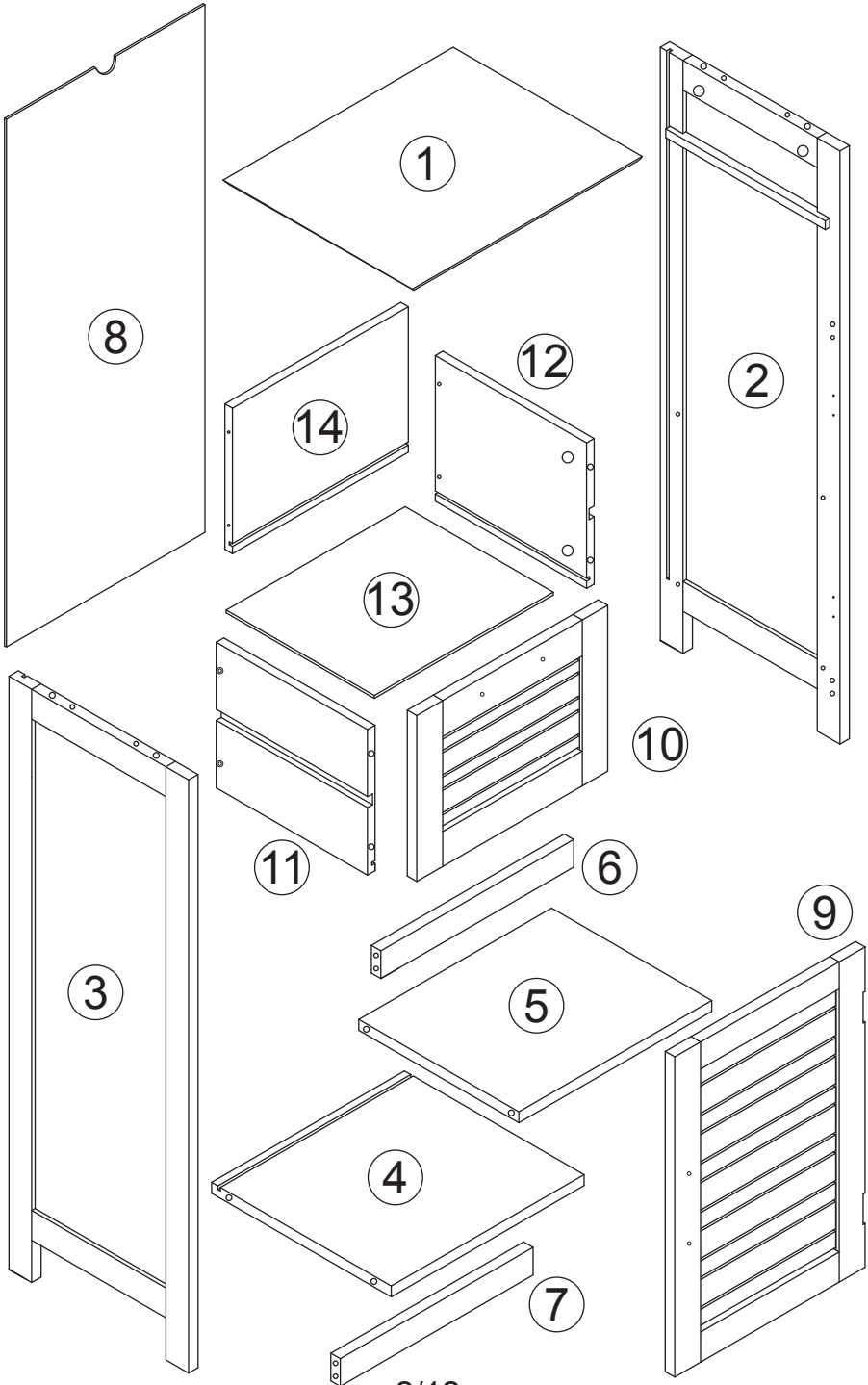
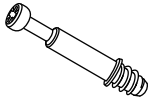


9902-306





Ax18



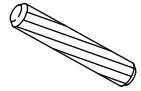
6x35mm

Bx14



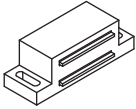
15x12mm

Cx10



6x30mm

Dx1



Ex6



3x14mm

Fx2



Gx9



3x12mm

Hx1

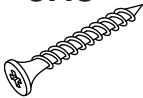


Ix4



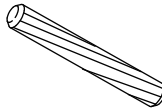
15x10mm

Jx5



4x35mm

Kx1

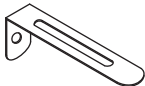


6x40mm

Lx1



Mx1



Nx1



Ox4

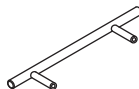


Px4



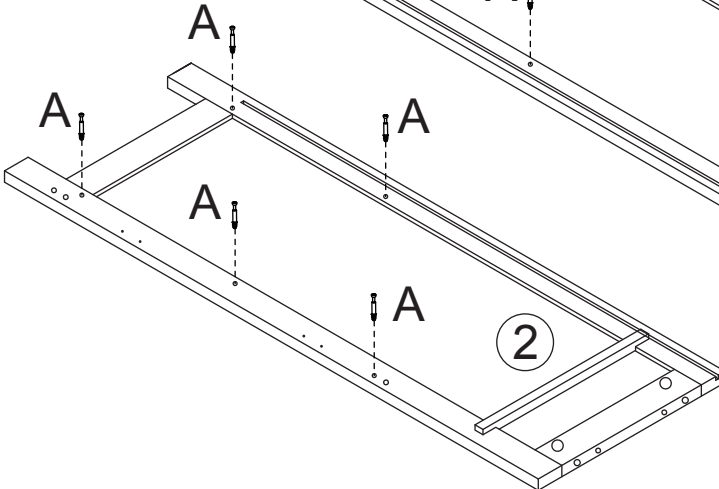
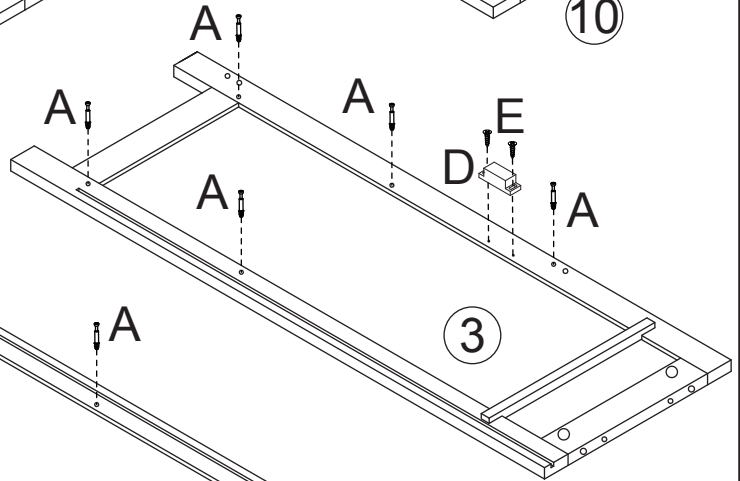
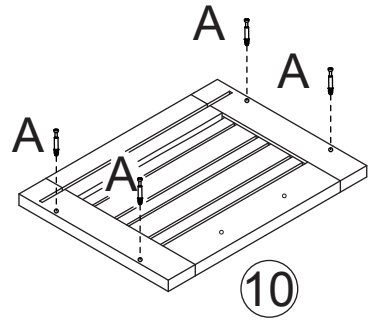
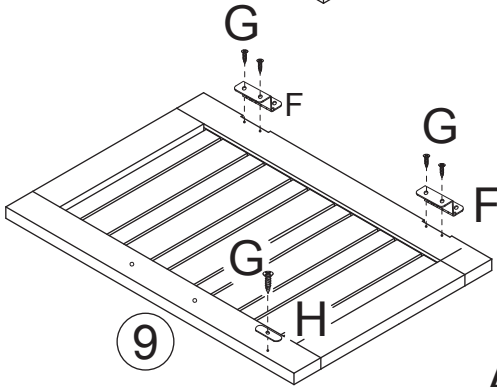
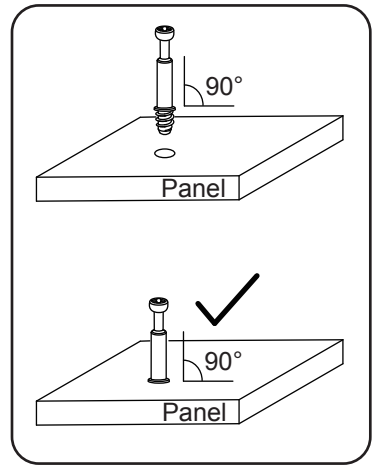
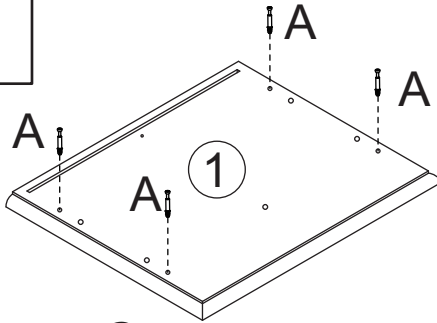
4x18mm

Qx2

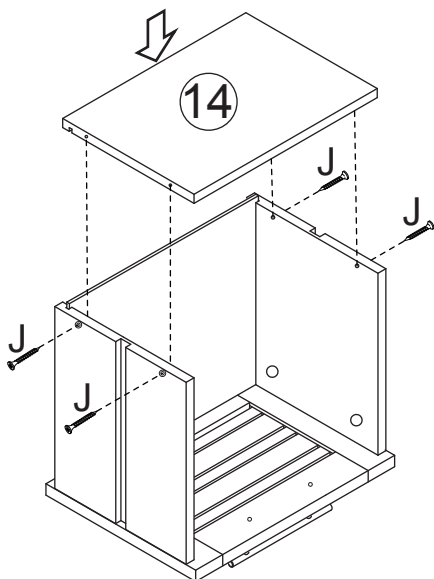
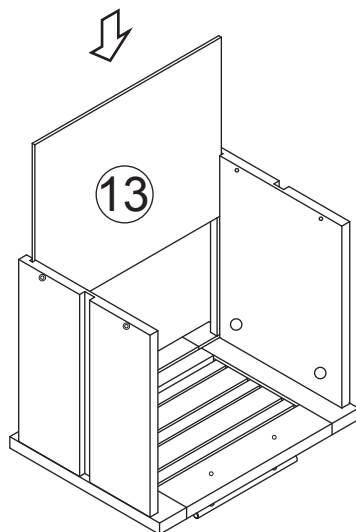
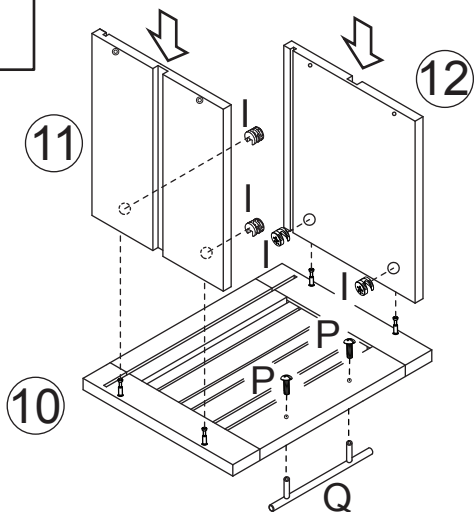


3/12

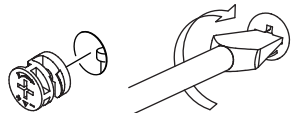
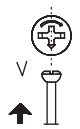
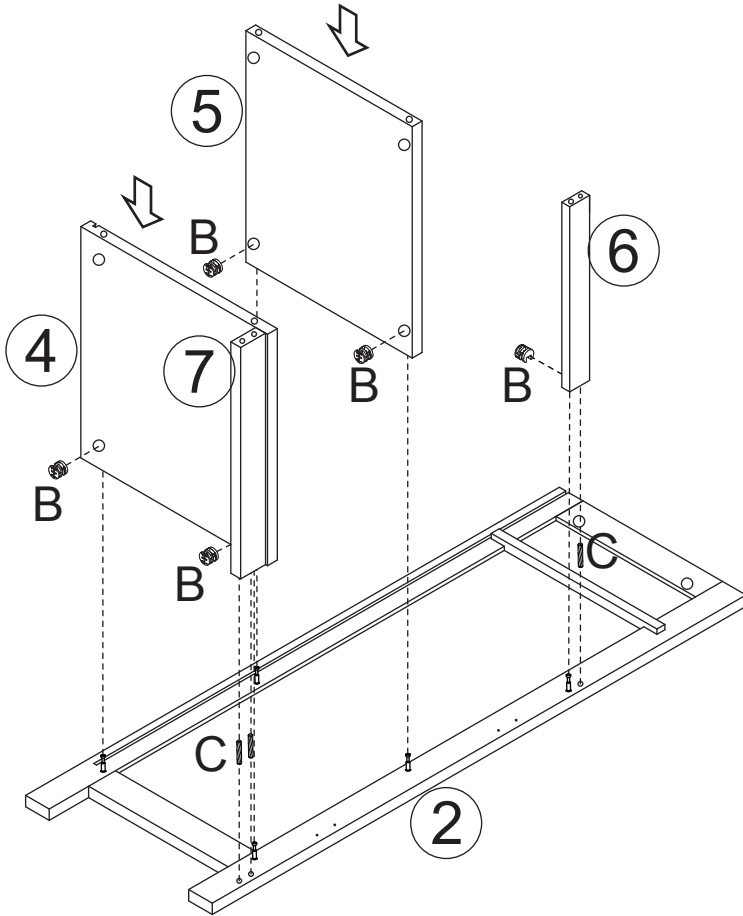
1



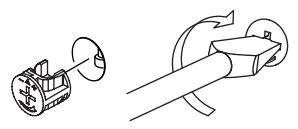
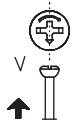
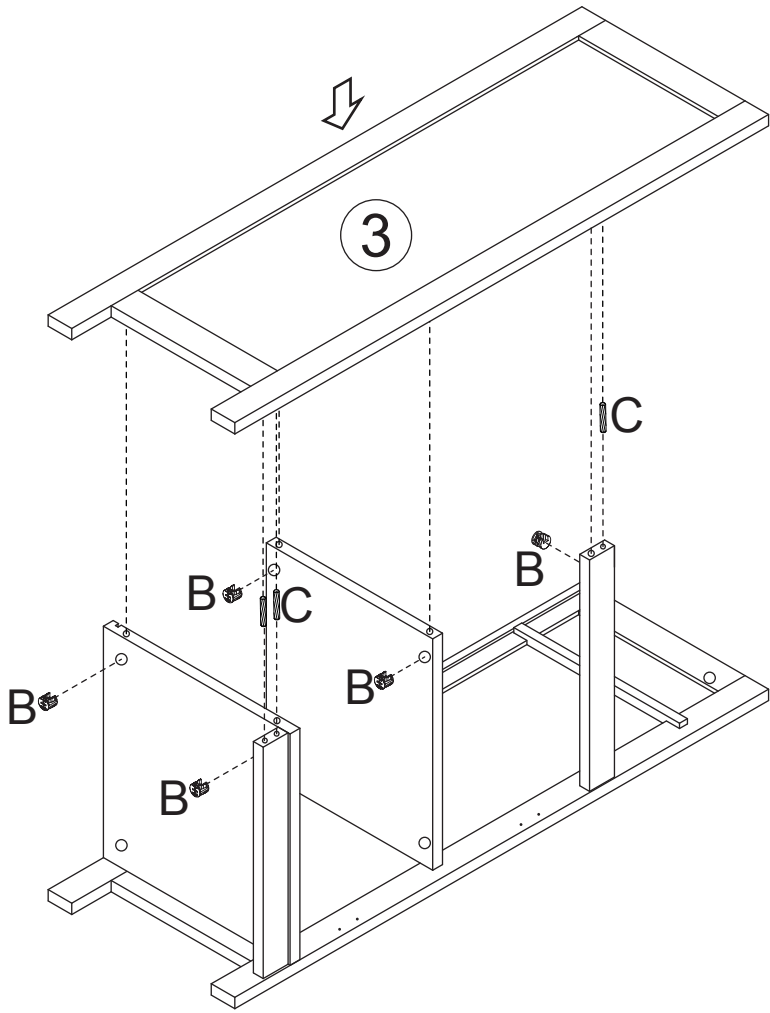
2



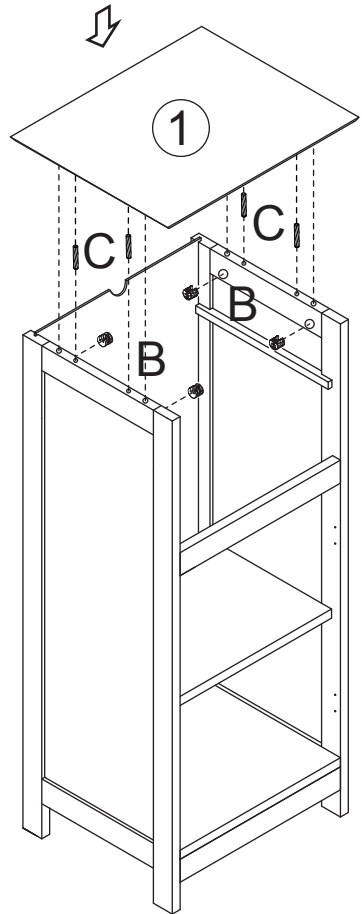
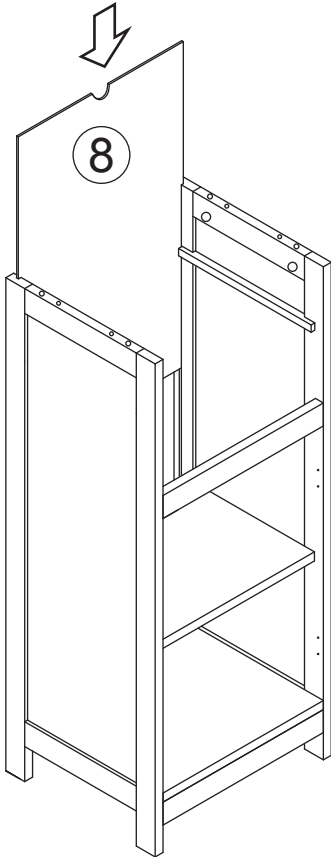
3



4

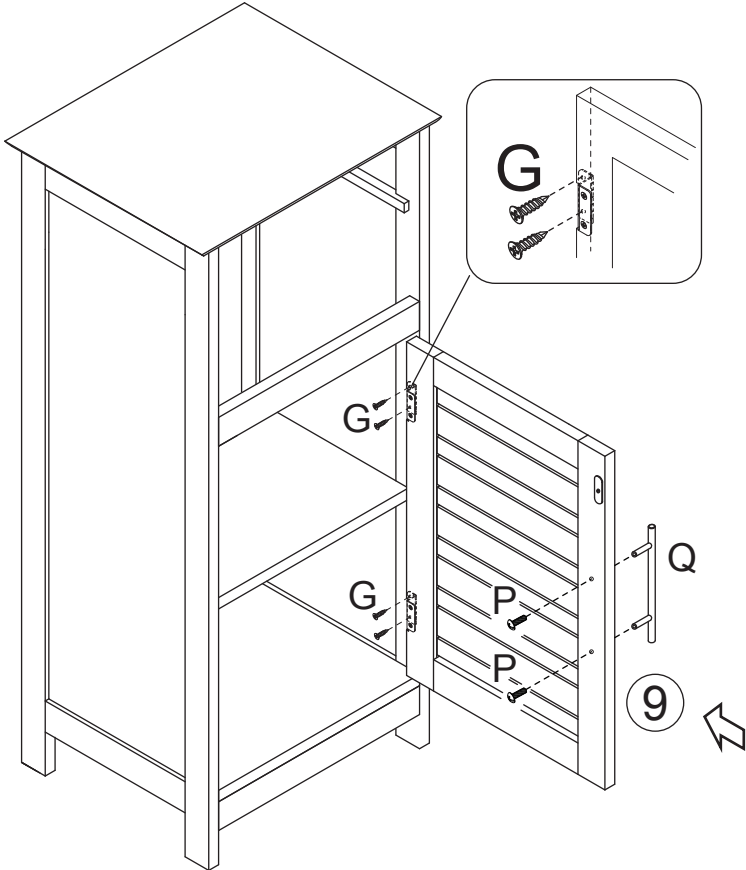


5



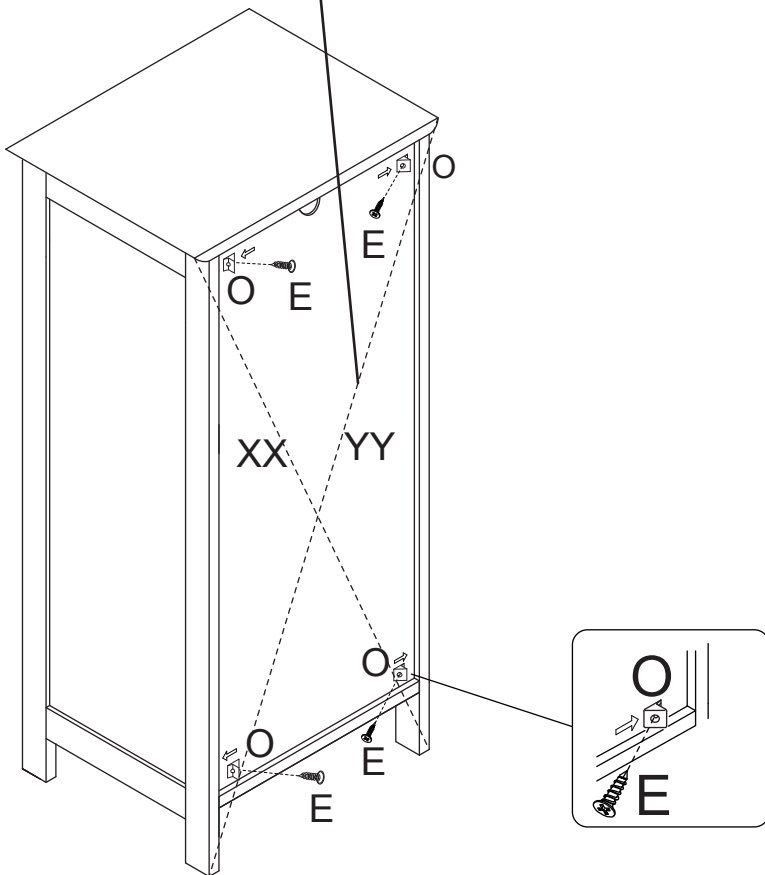


6

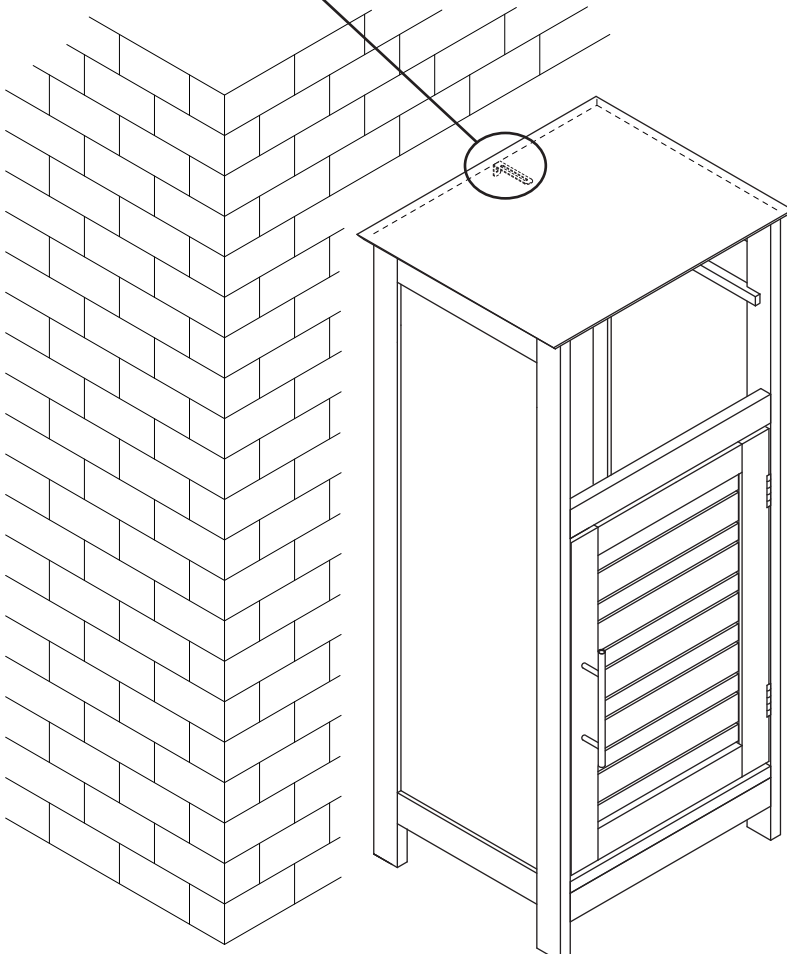
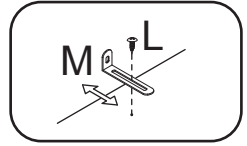
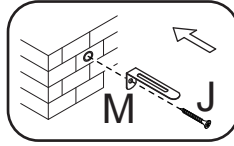
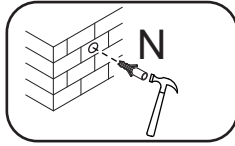
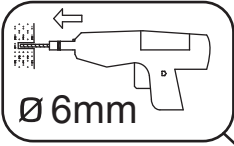


7

Avant de fixer "O",  
s'assurer que la dimension "XX=YY".  
Before fix "O",  
please make sure size "XX=YY".



8



9

