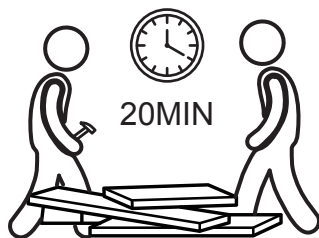
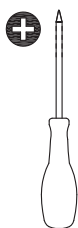
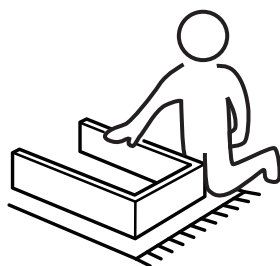
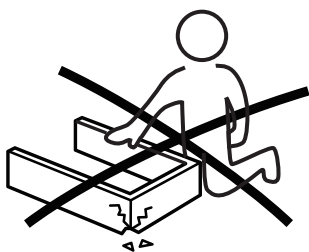
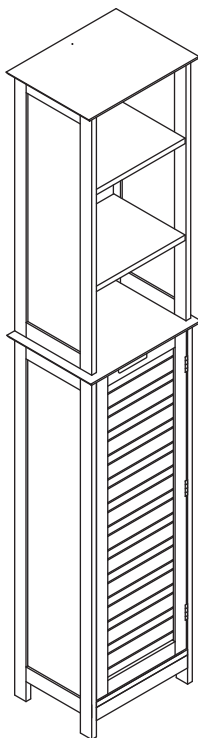
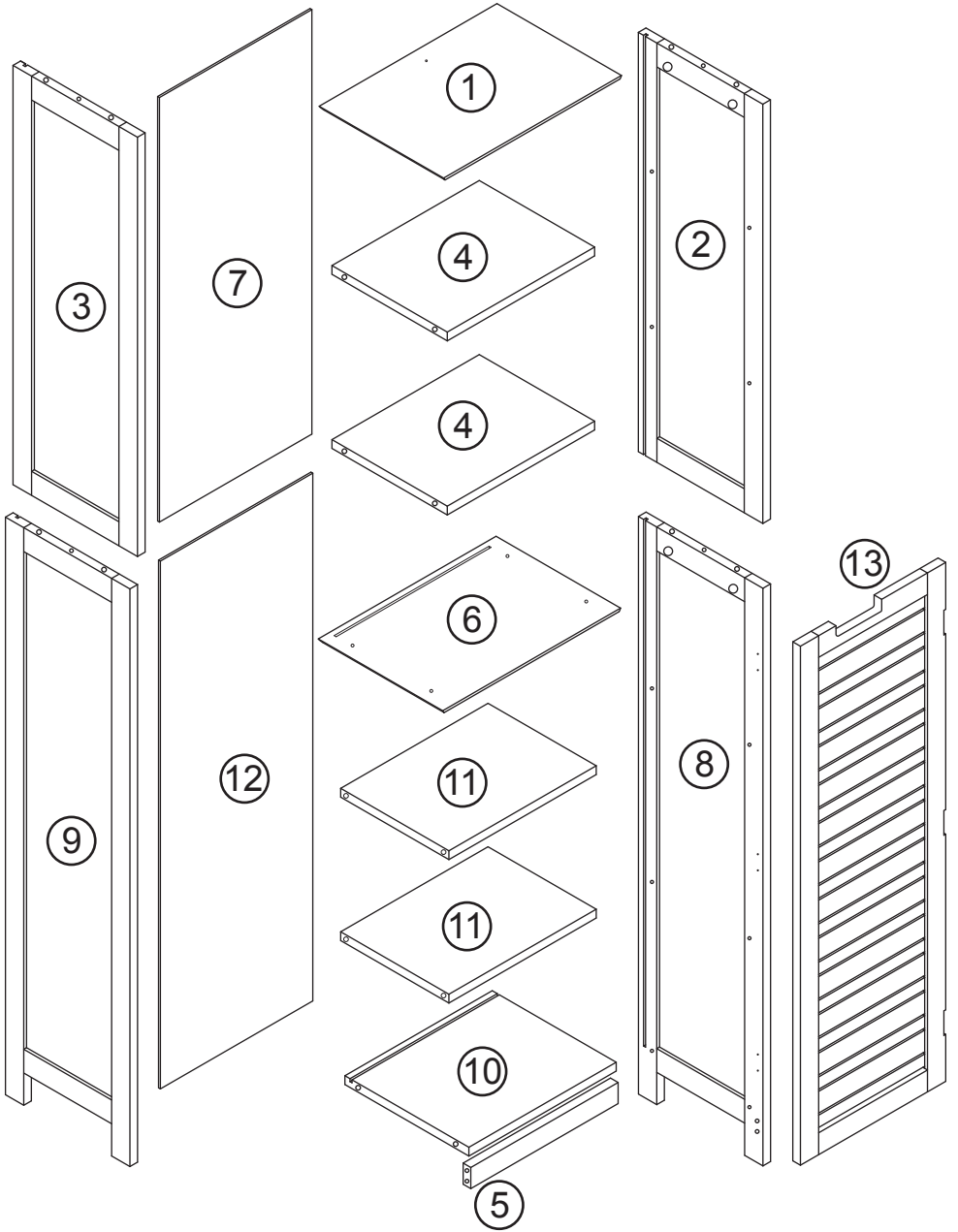
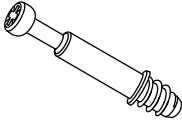


9901-300





Ax28



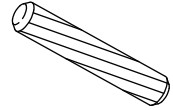
6x35mm

Bx28



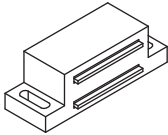
15x12mm

Cx8



6x30mm

Dx1



Ex10



3x14mm

Fx3

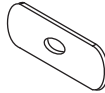


Gx13

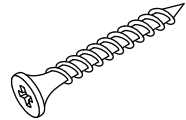


3x12mm

Hx1



Ix5

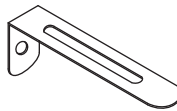


4x35mm

Jx1



Kx1



Lx8



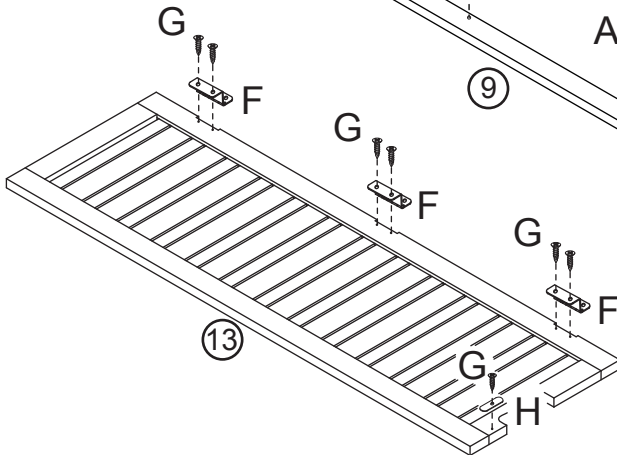
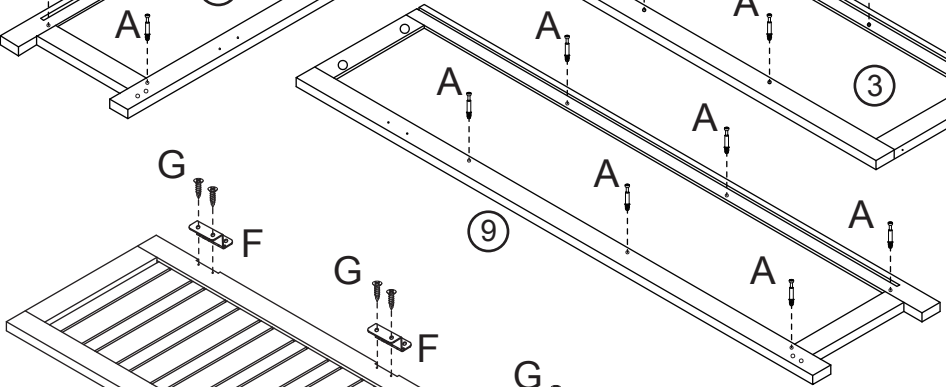
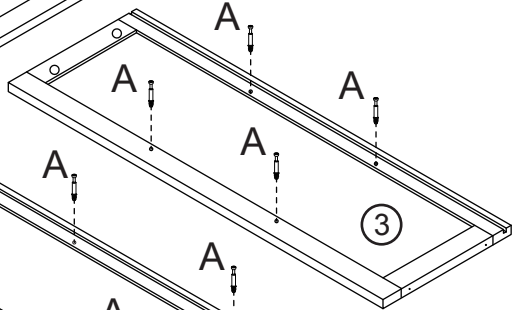
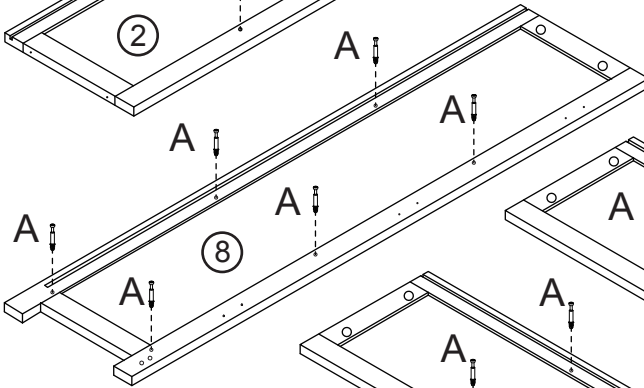
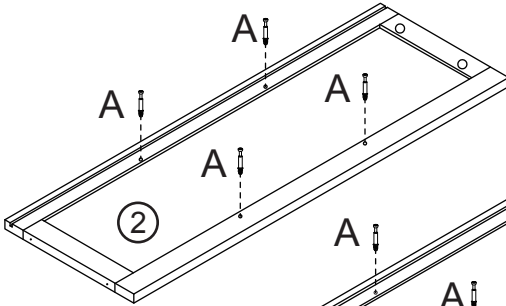
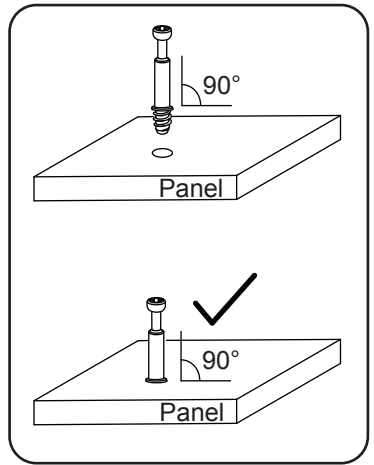
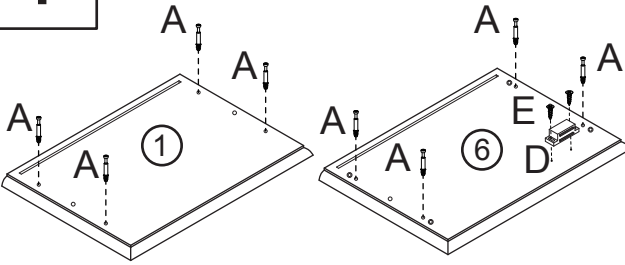
Mx1



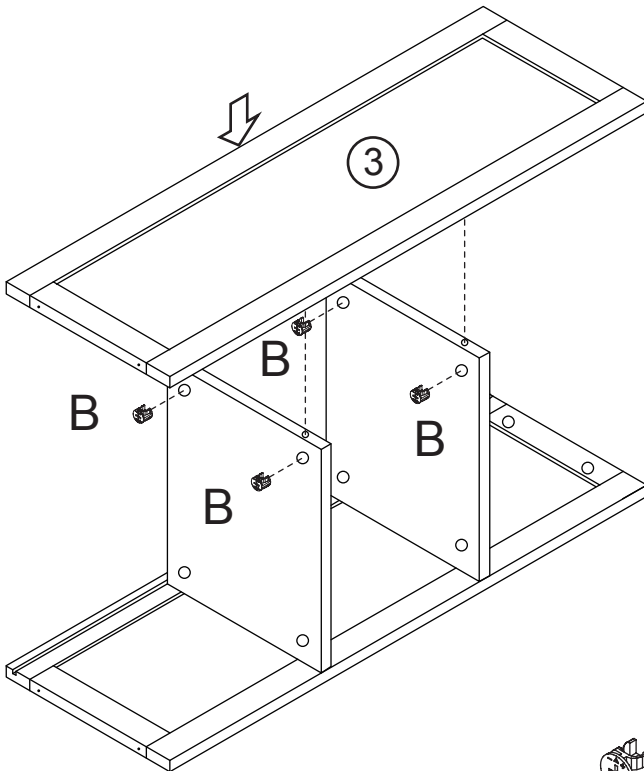
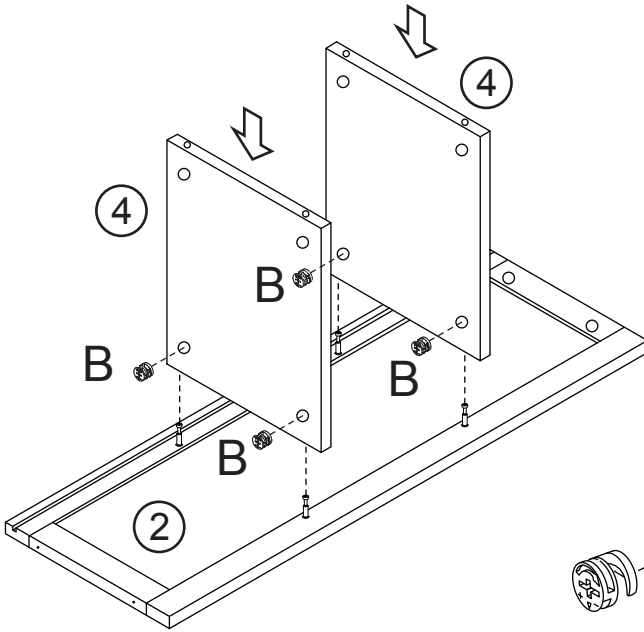
Nx8



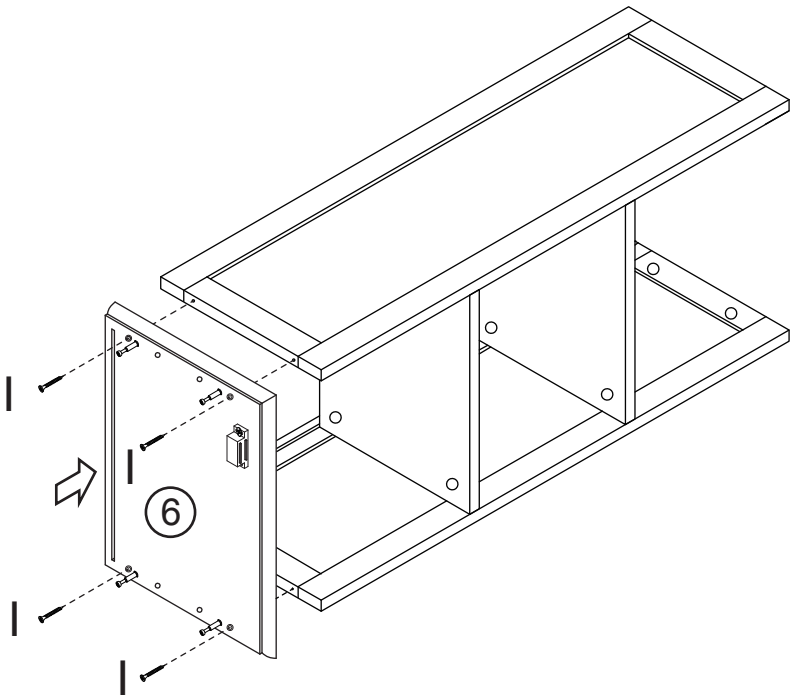
1



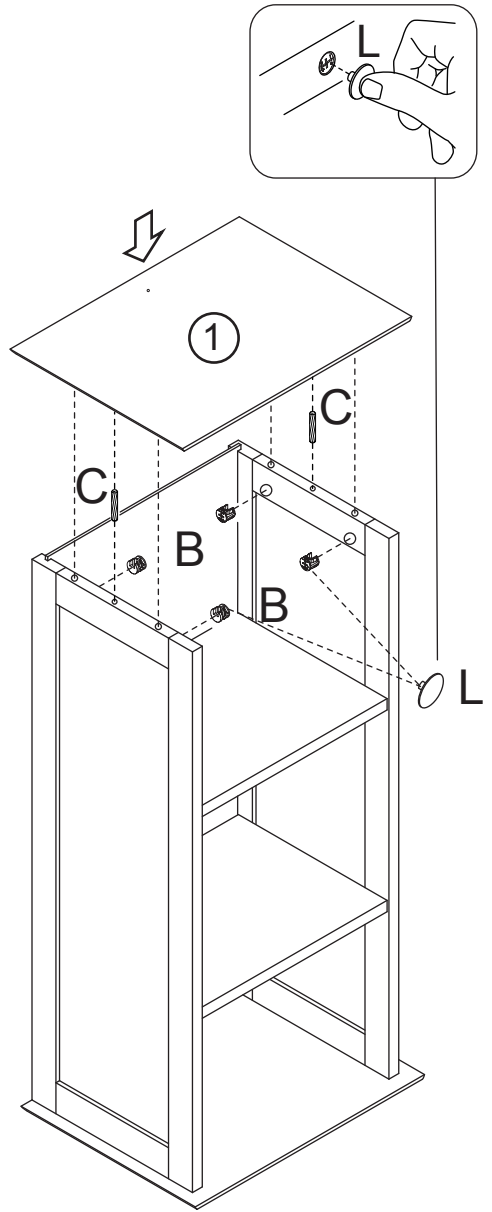
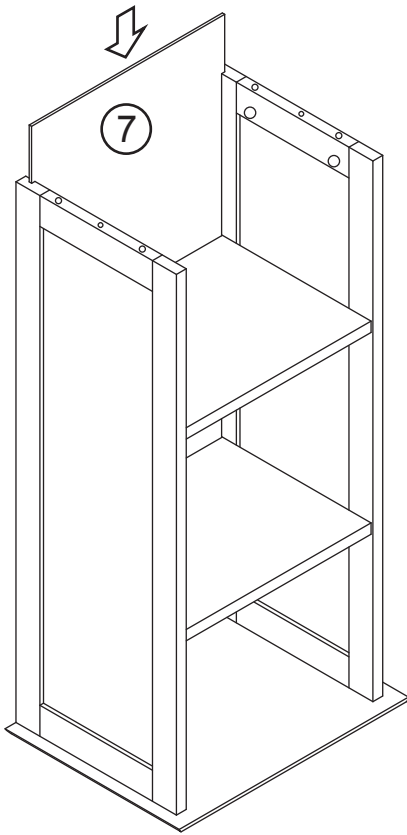
2



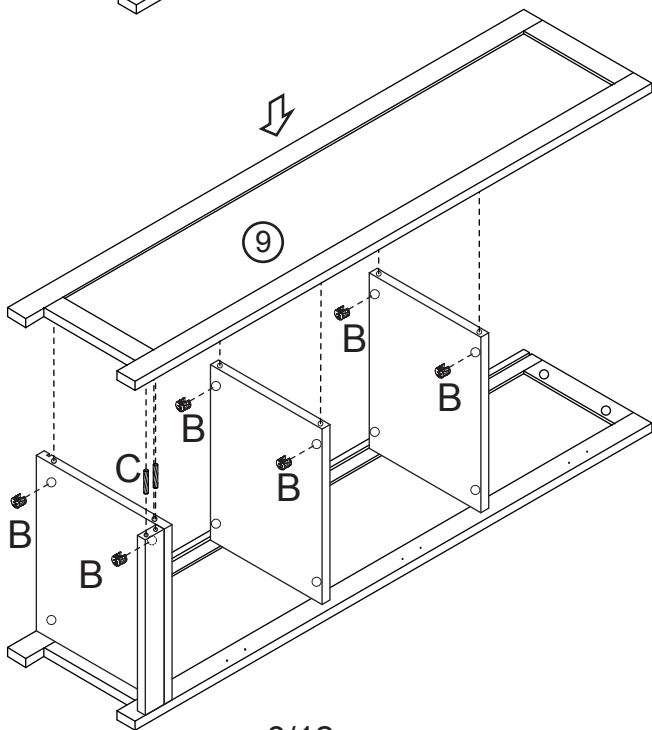
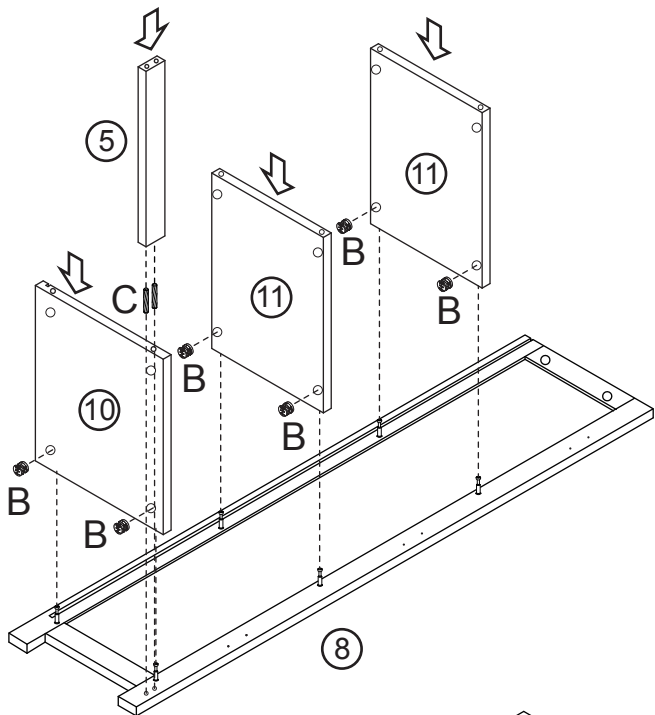
3



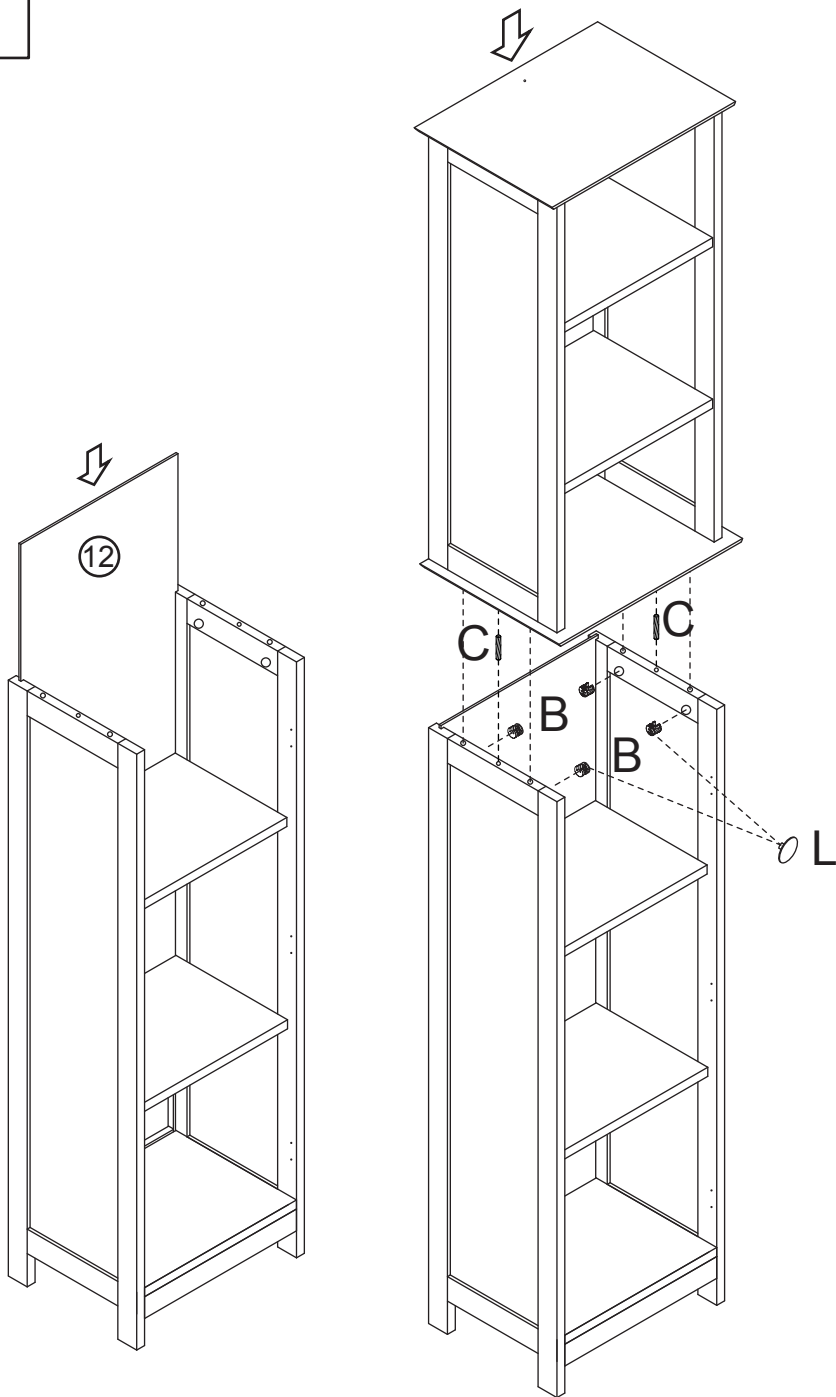
4



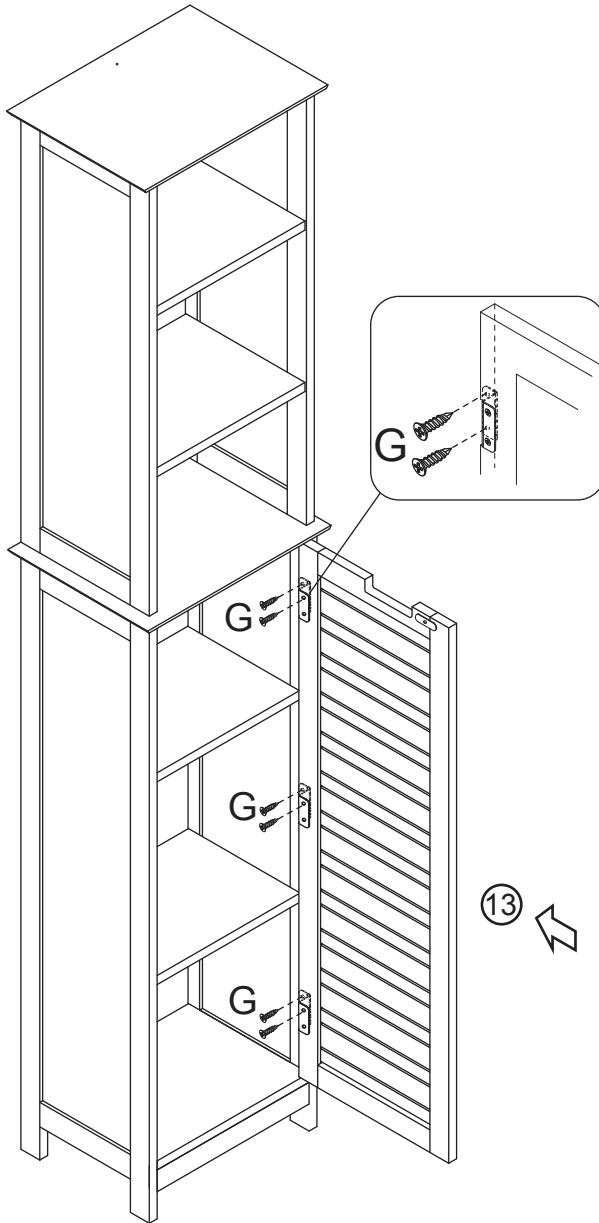
5



6



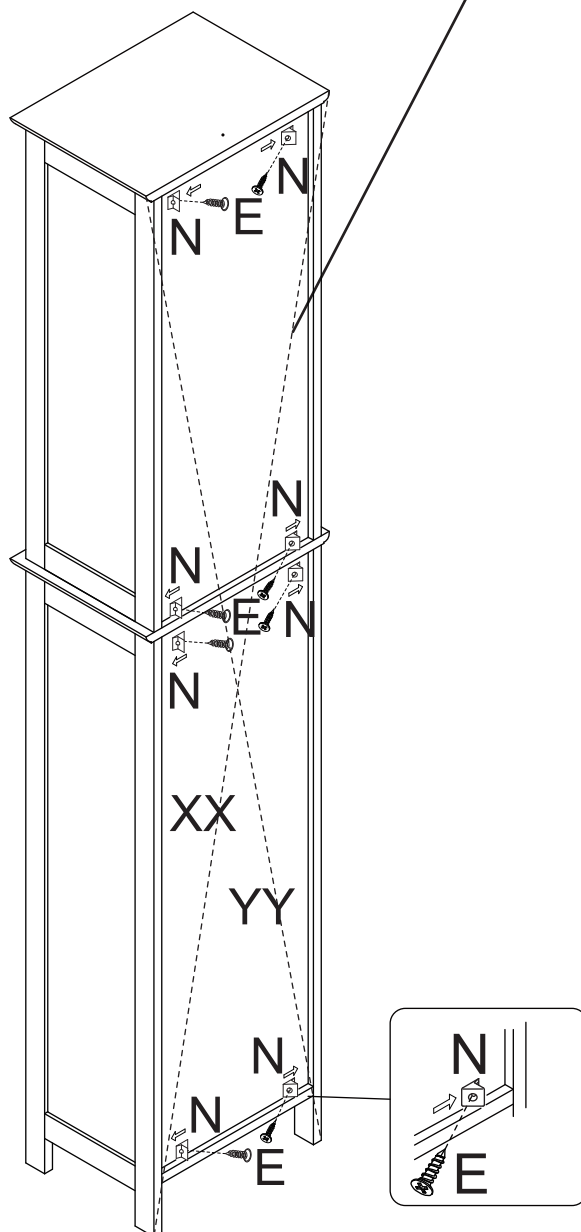
7



8

Avant de fixer "N", s'assurer que la dimension "XX=YY".

Before fix "N", please make sure size "XX=YY".



9

