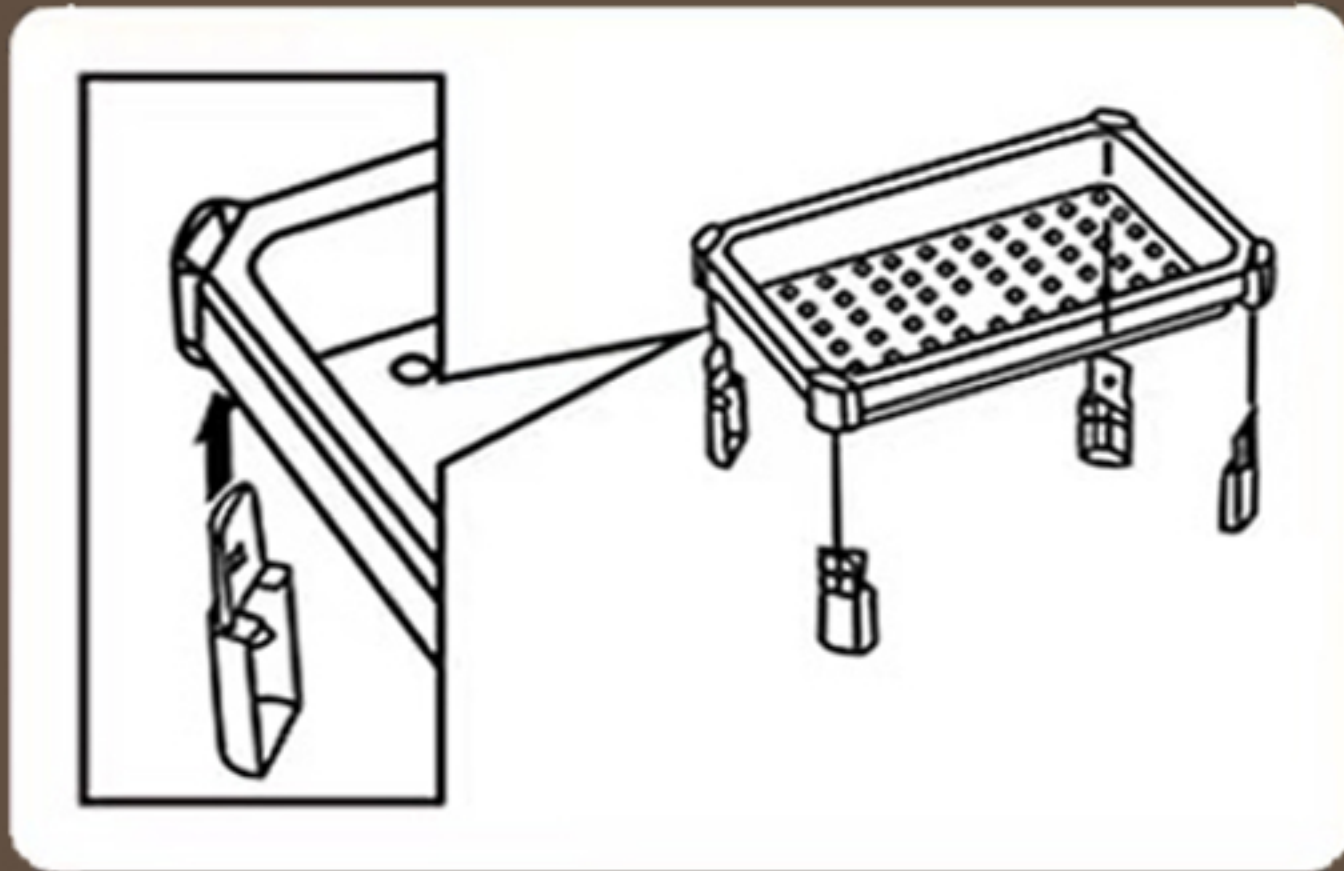
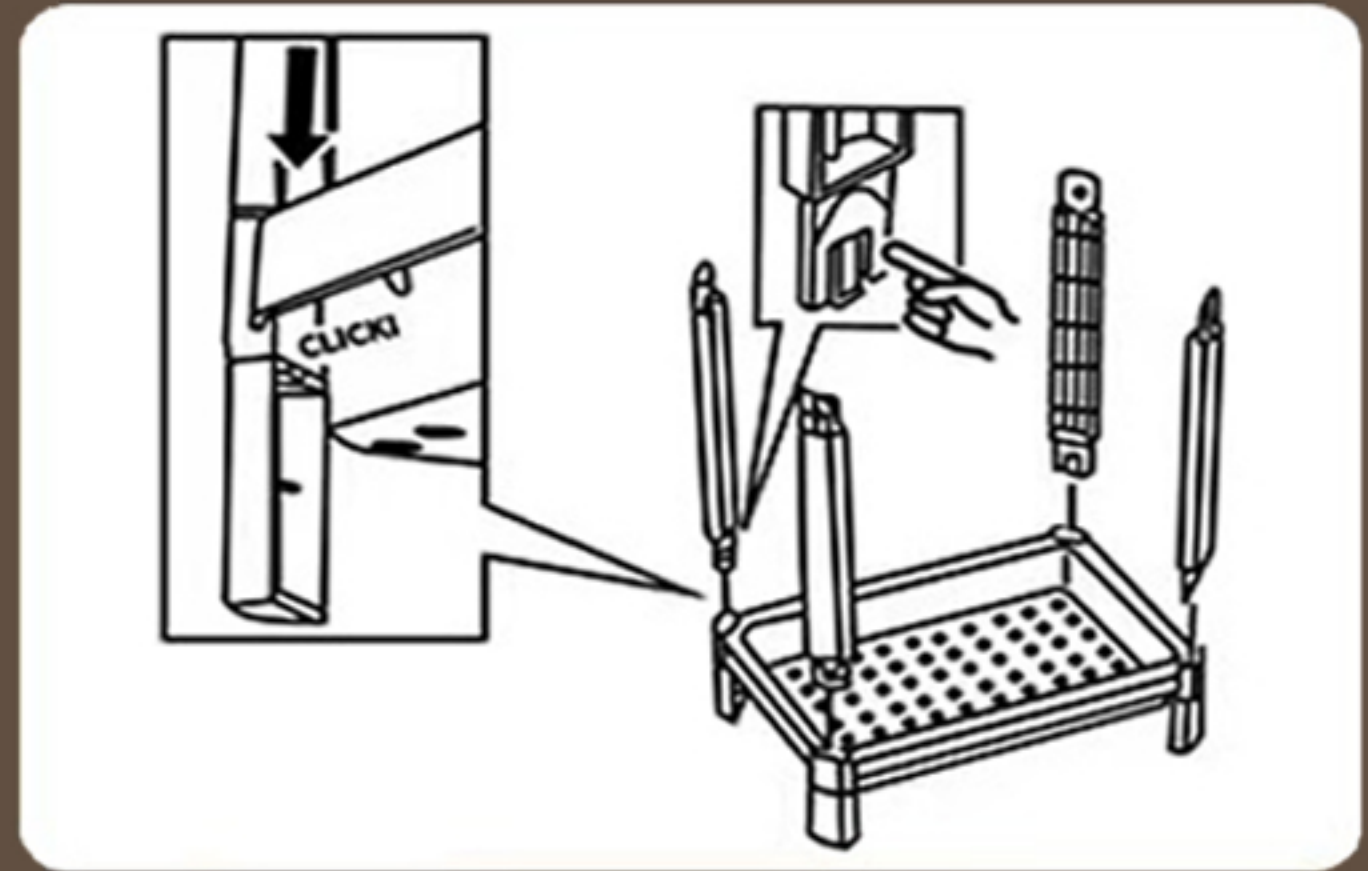


Installation Steps



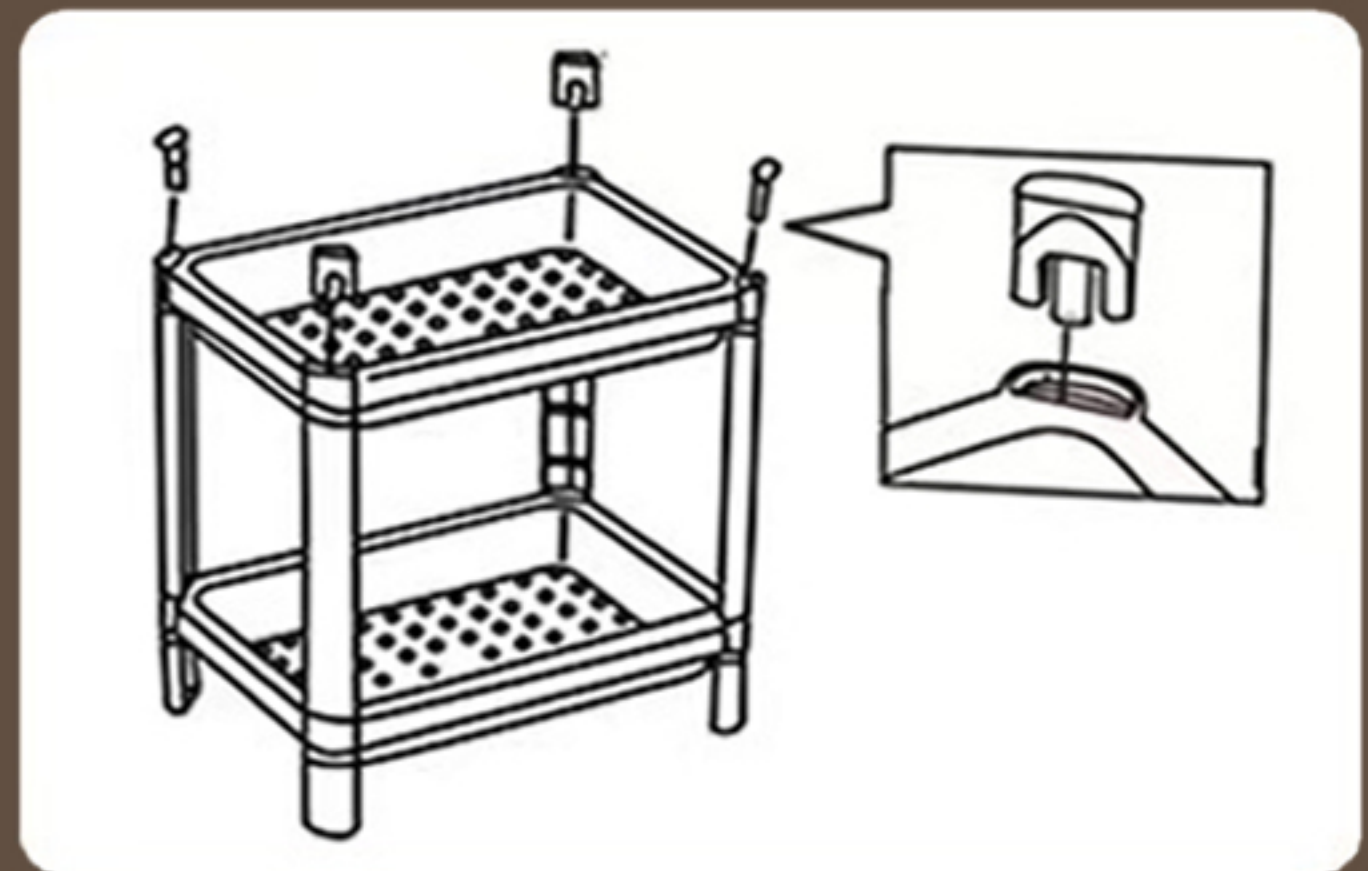
1. Insert the bottom foot into the groove at the bottom of a basket;



2. Insert the four stand columns into the upper grooves of the basket;



3. Connect another basket to the stand columns;



4. After installing the main body of the shelf, you should install the slot caps which around the top shelf