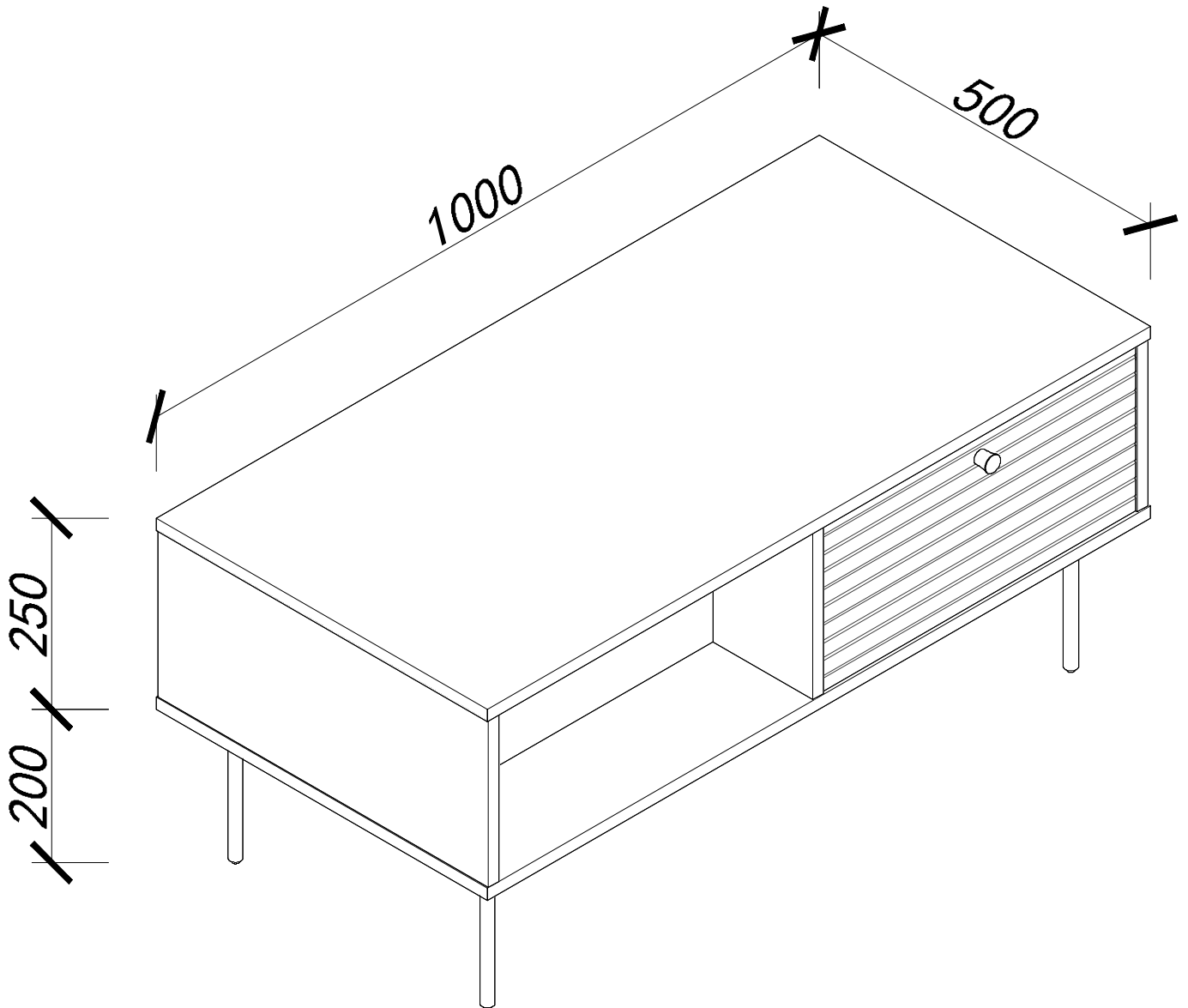
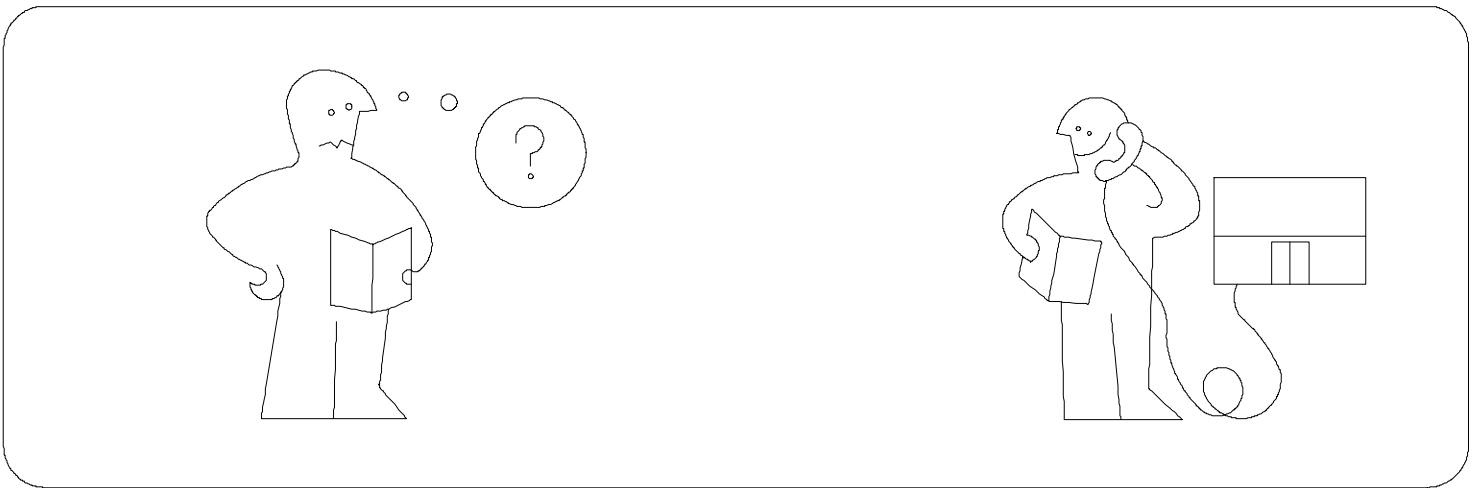
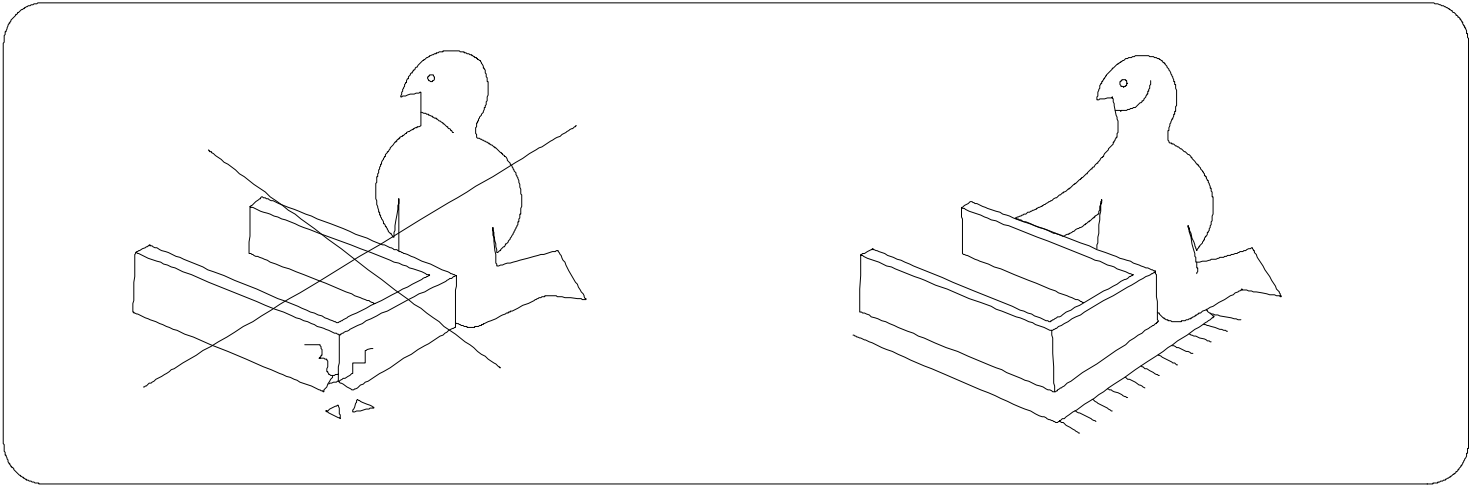
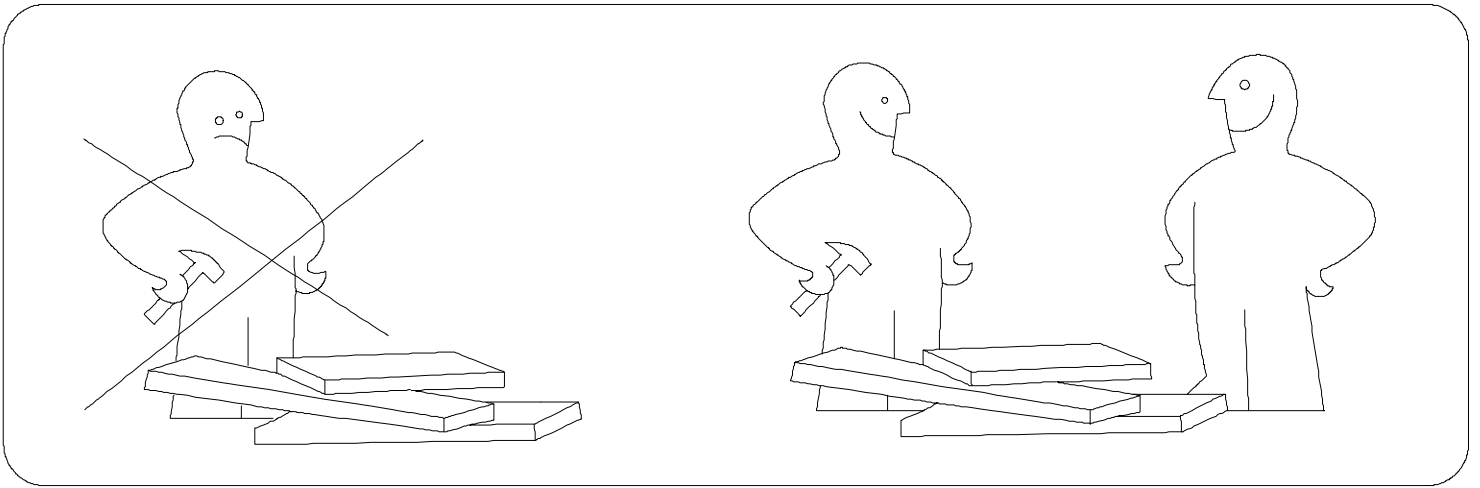
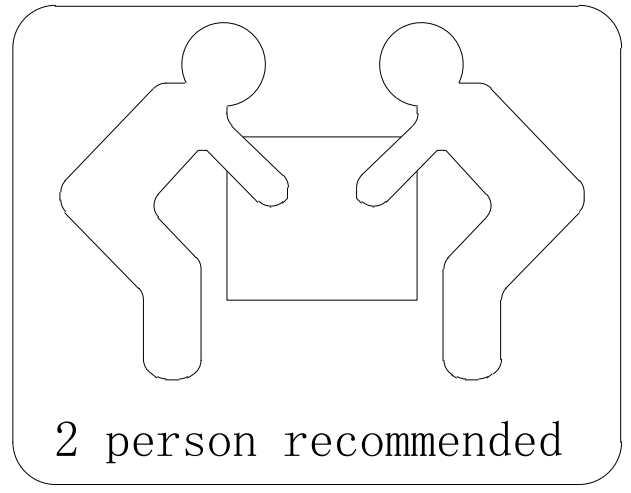
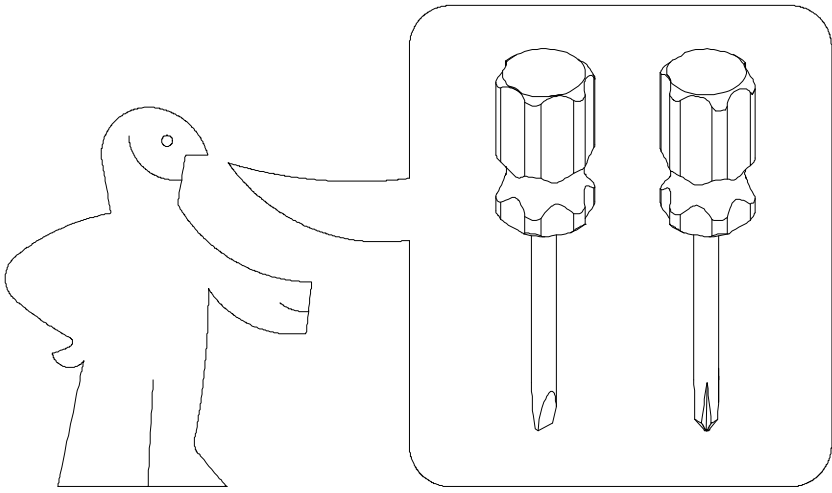


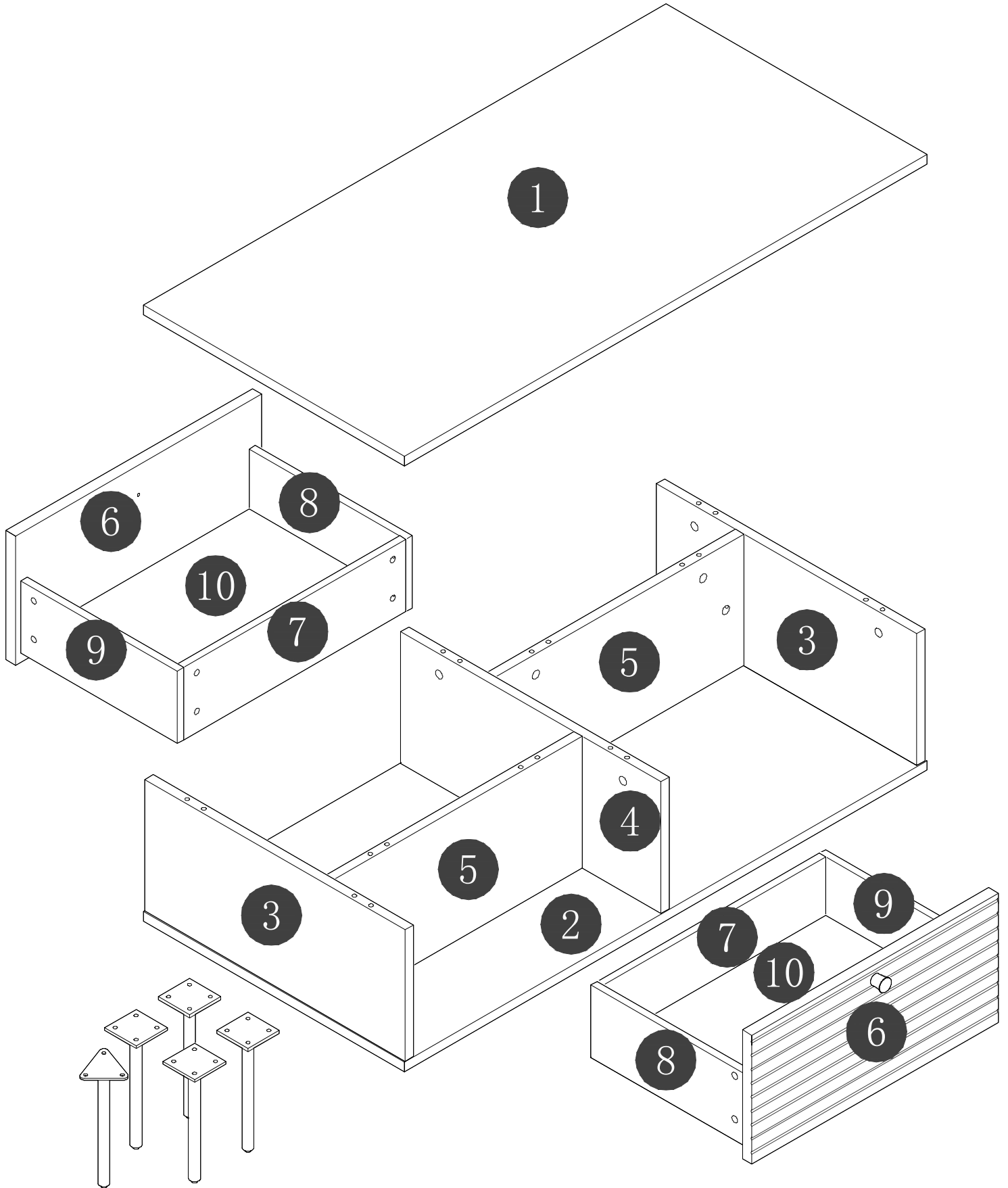
Assembly Instruction





Panel No	Panel Sizes	Quantity
1	1000*500*16	1
2	1000*500*16	1
3	218*498*16	2
4	218*498*16	1
5	218*475*16	2

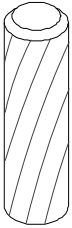
Panel No	Panel Sizes	Quantity
6	471*214*18	2
7	425*120*12	2
8	300*120*12	2
9	300*120*12	2
10	435*298*5	2



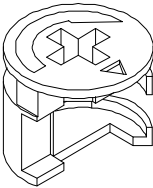
Fittings



A=14



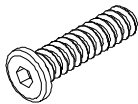
B=20



C=14

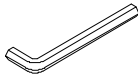


D=30

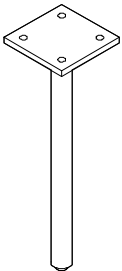


M6*16

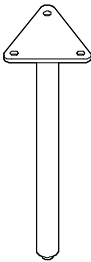
G=19



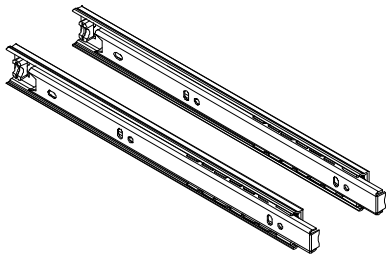
H=1



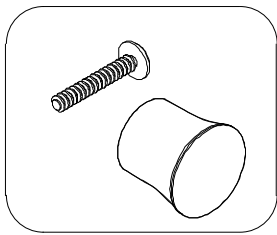
J-1=4



J-2=1



N=2



U=2



O=16



P=16



M3.5*12

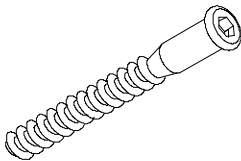
V1=16



Z1=19

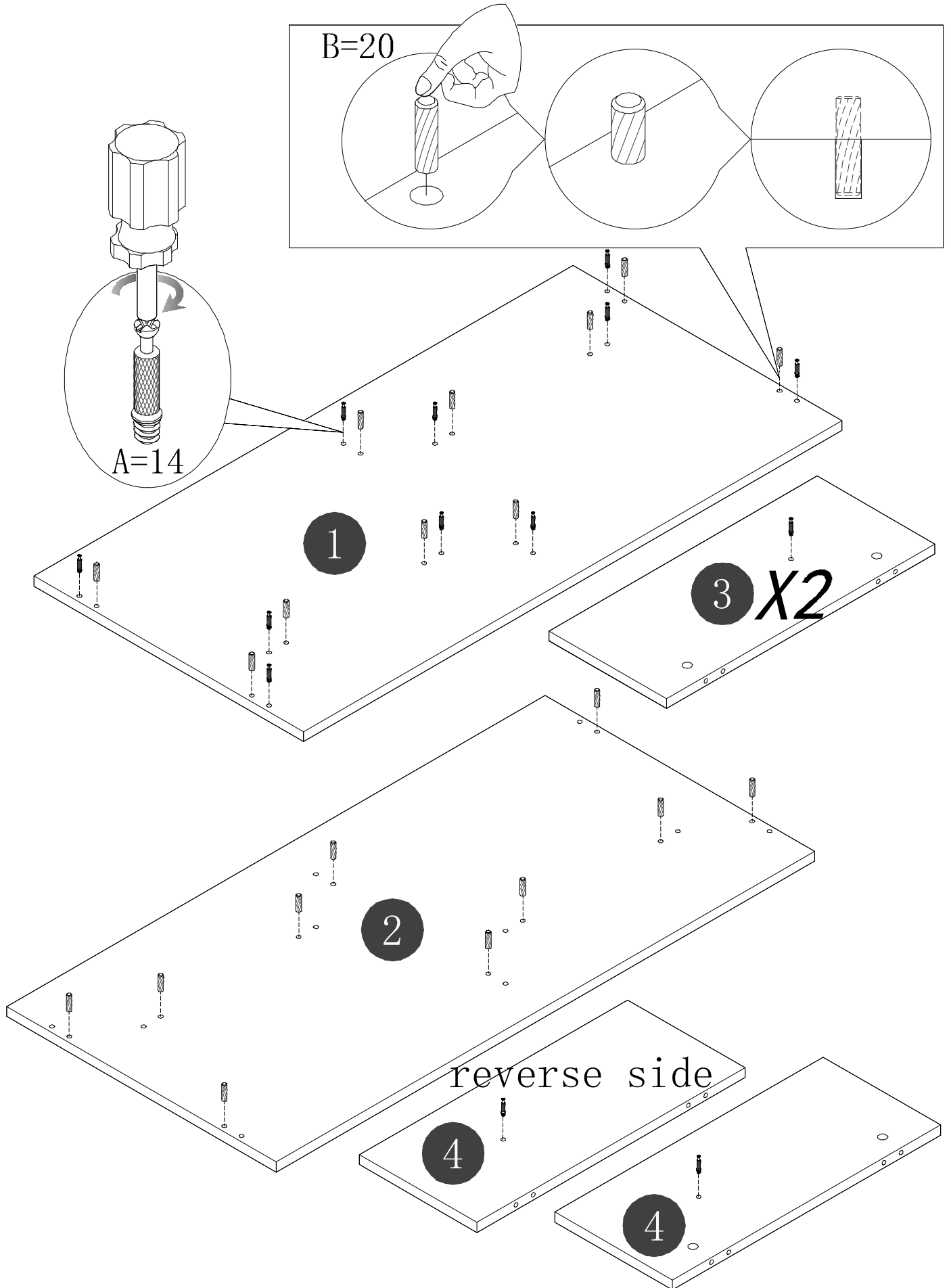


Z2=19

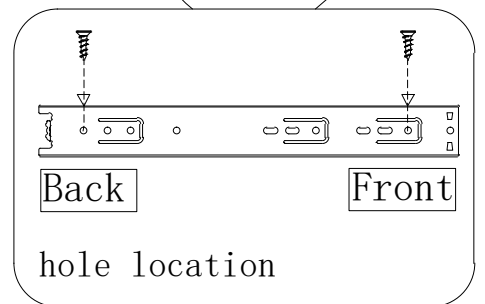
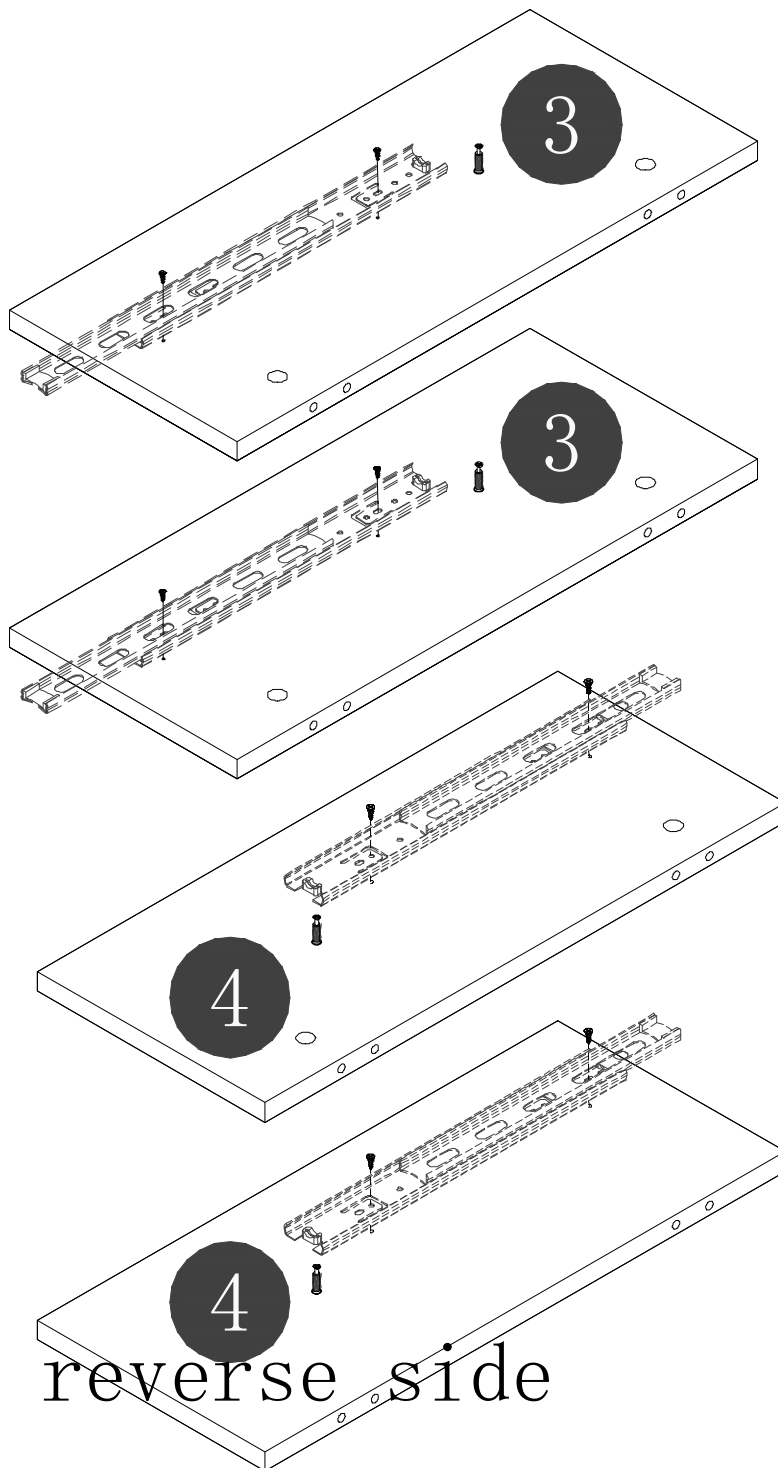
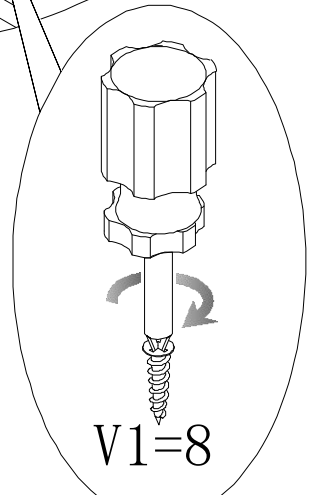
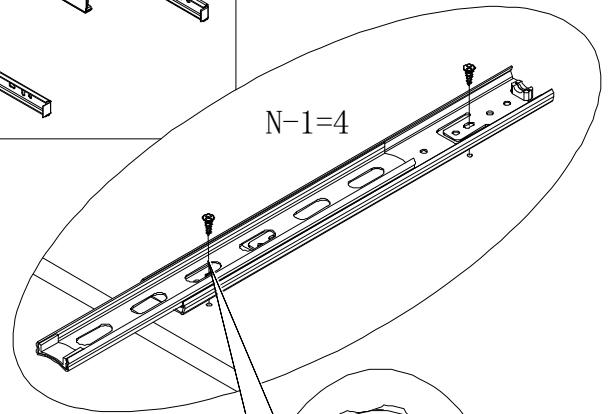
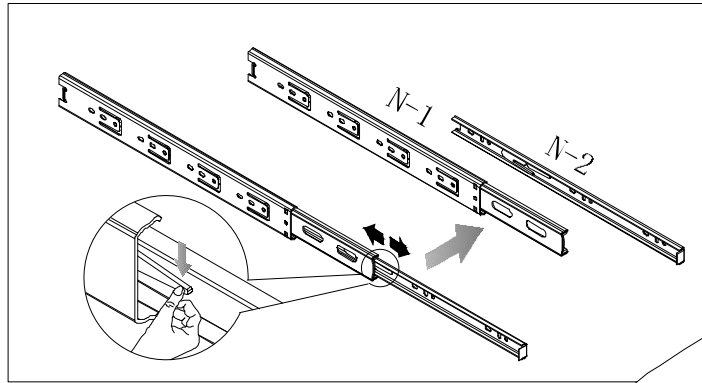


Q=10

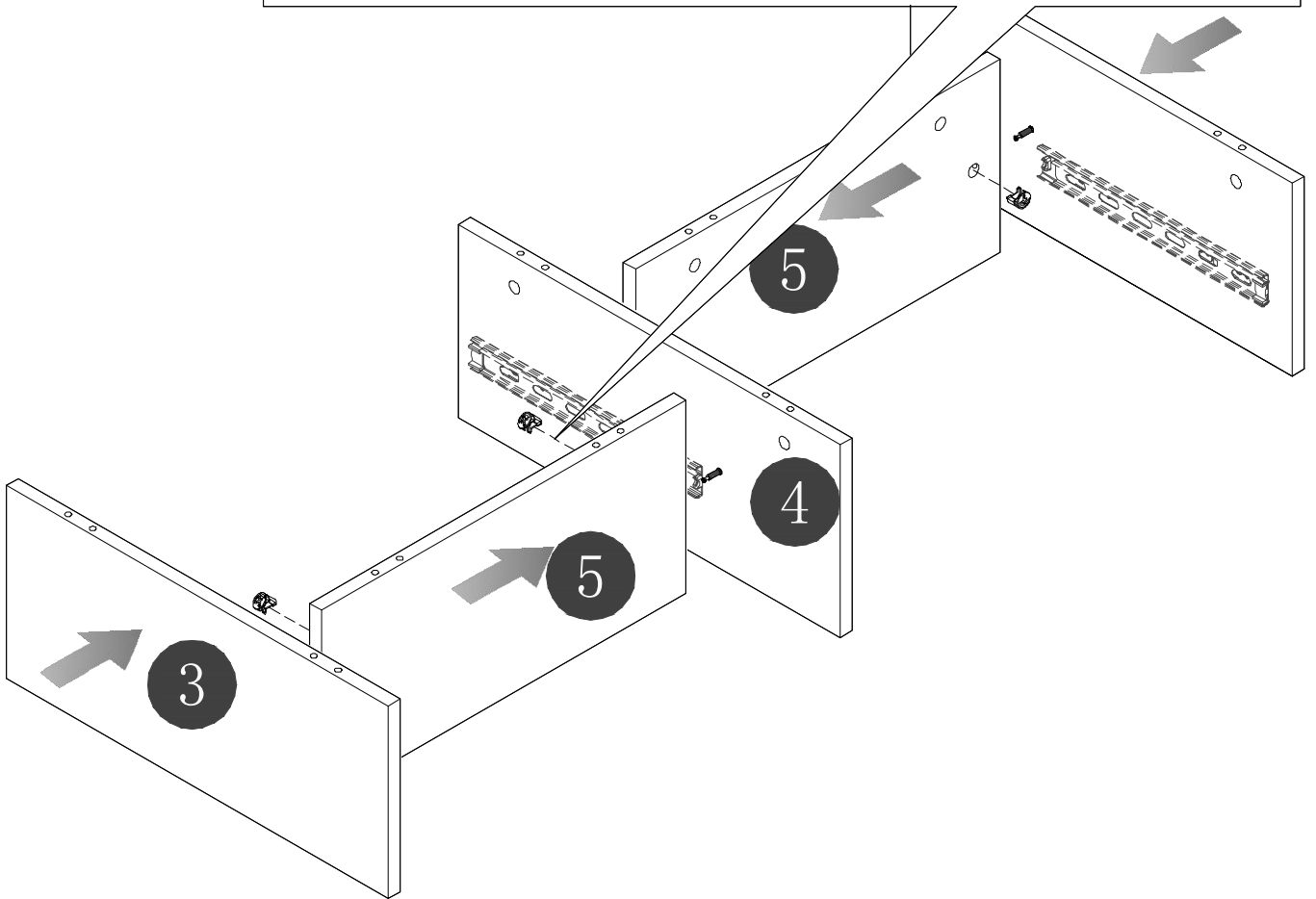
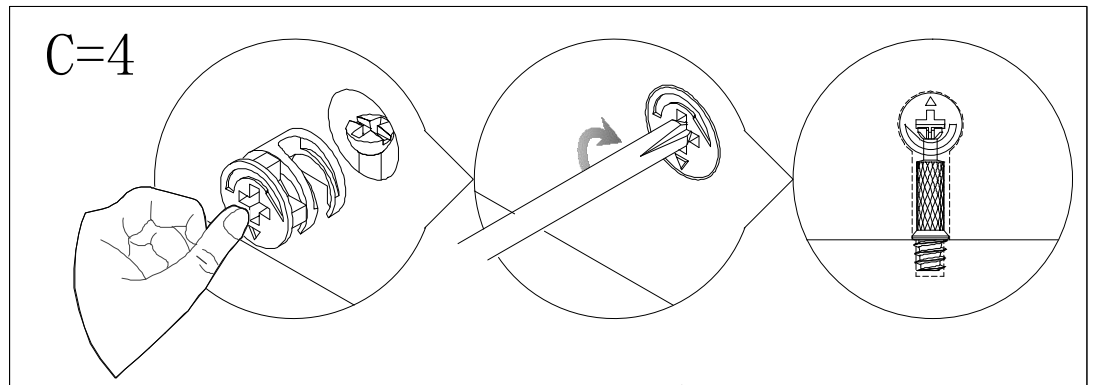
STEP 1



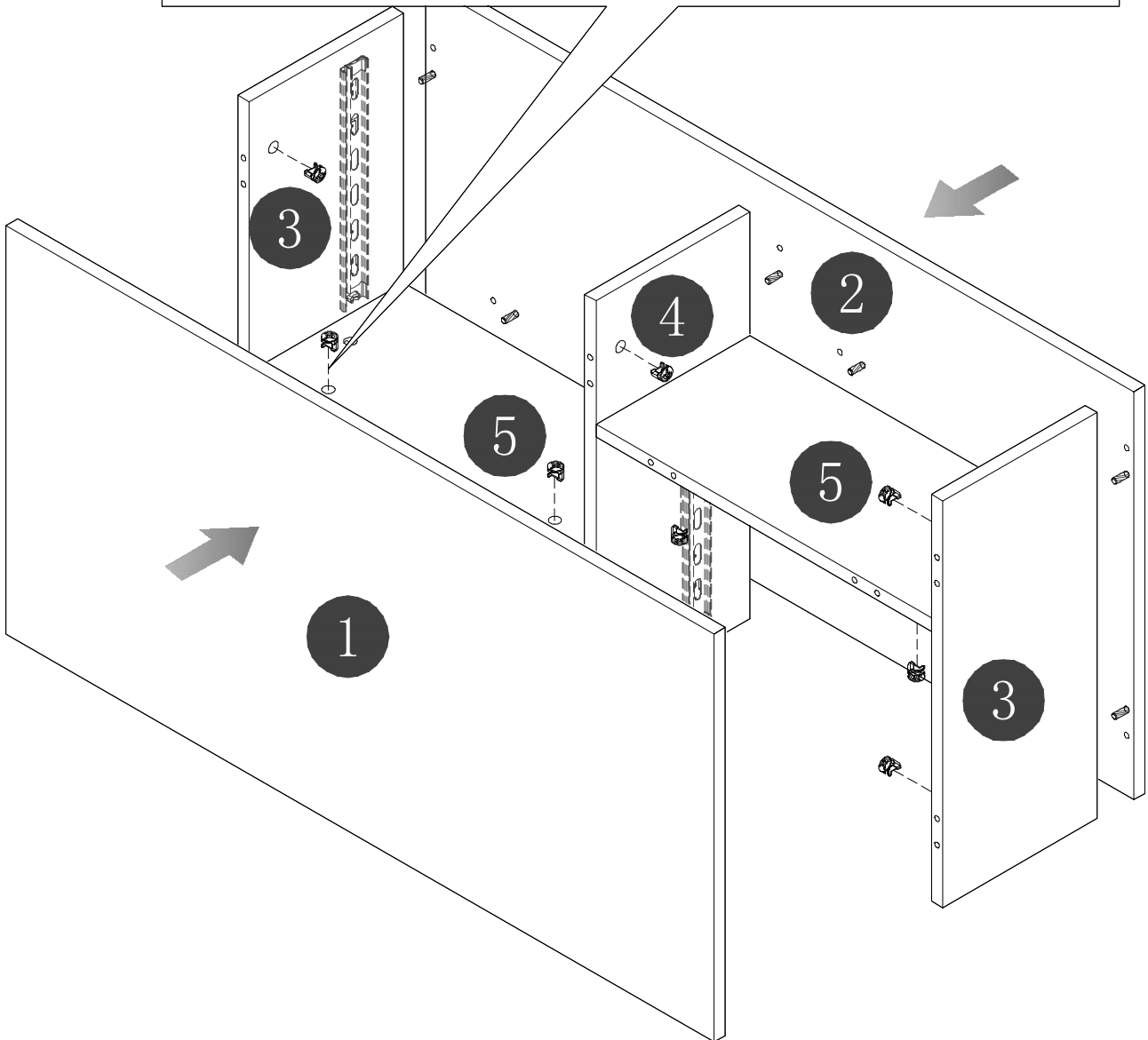
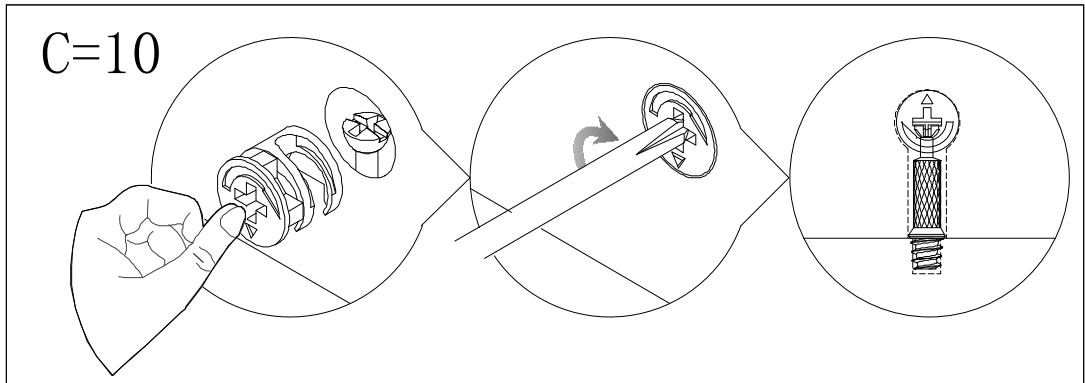
STEP 2



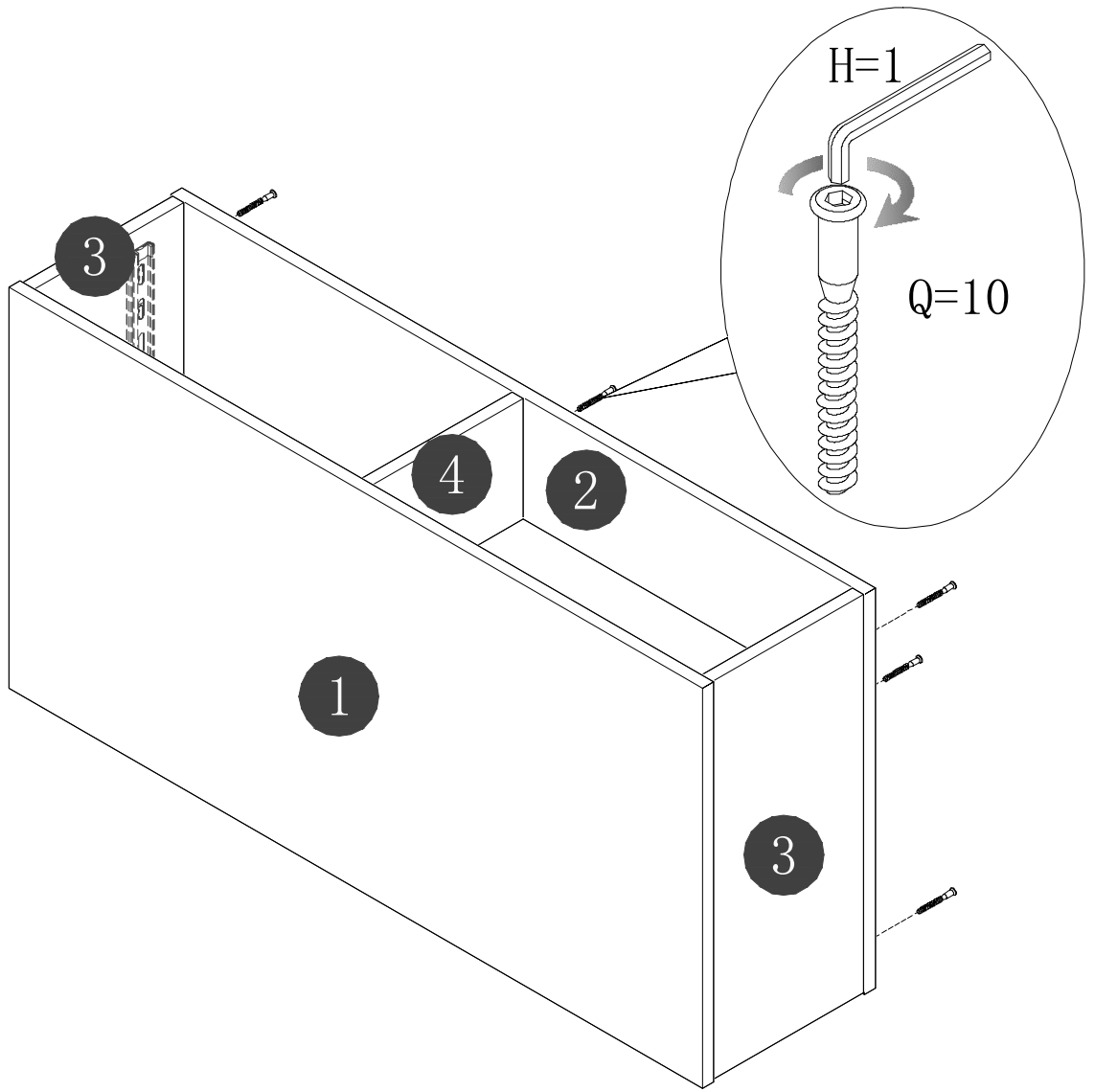
STEP 3



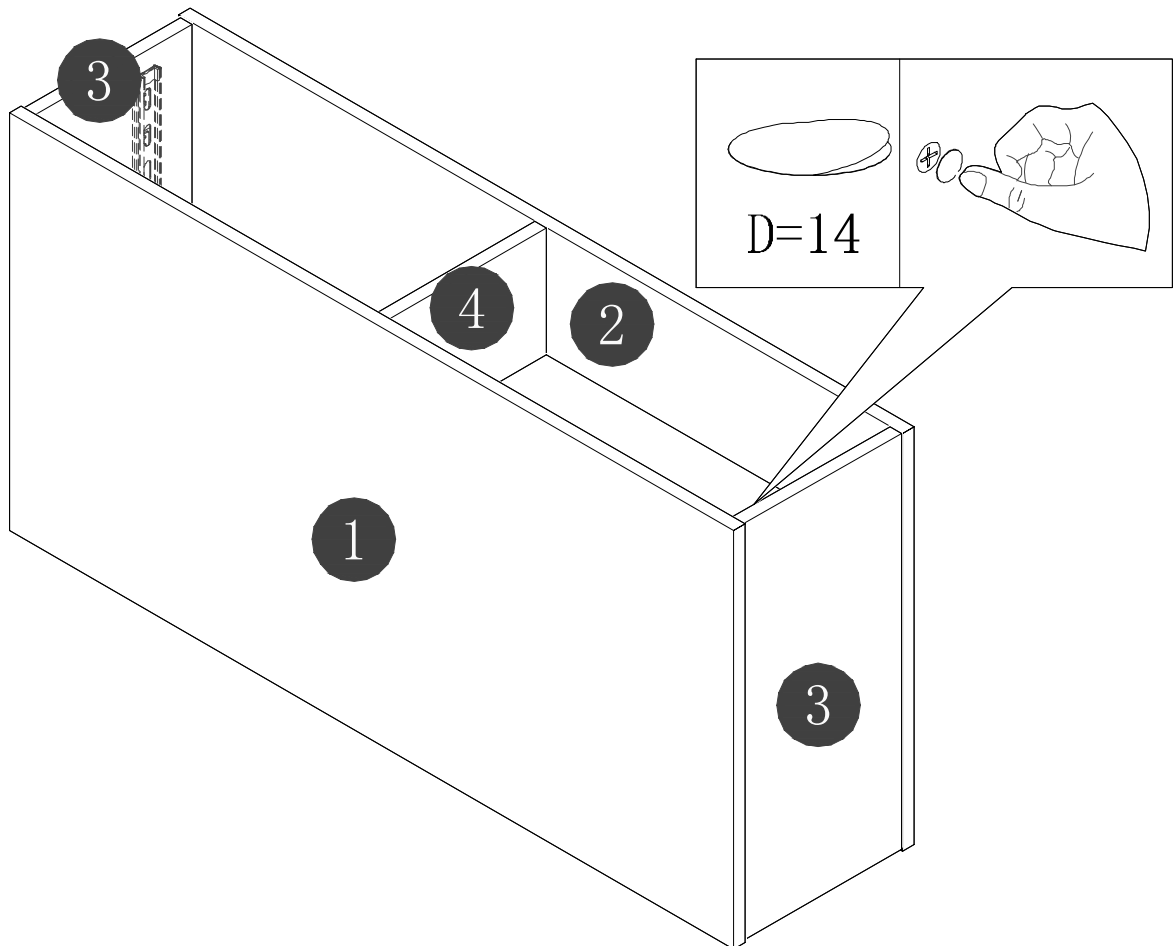
STEP 4



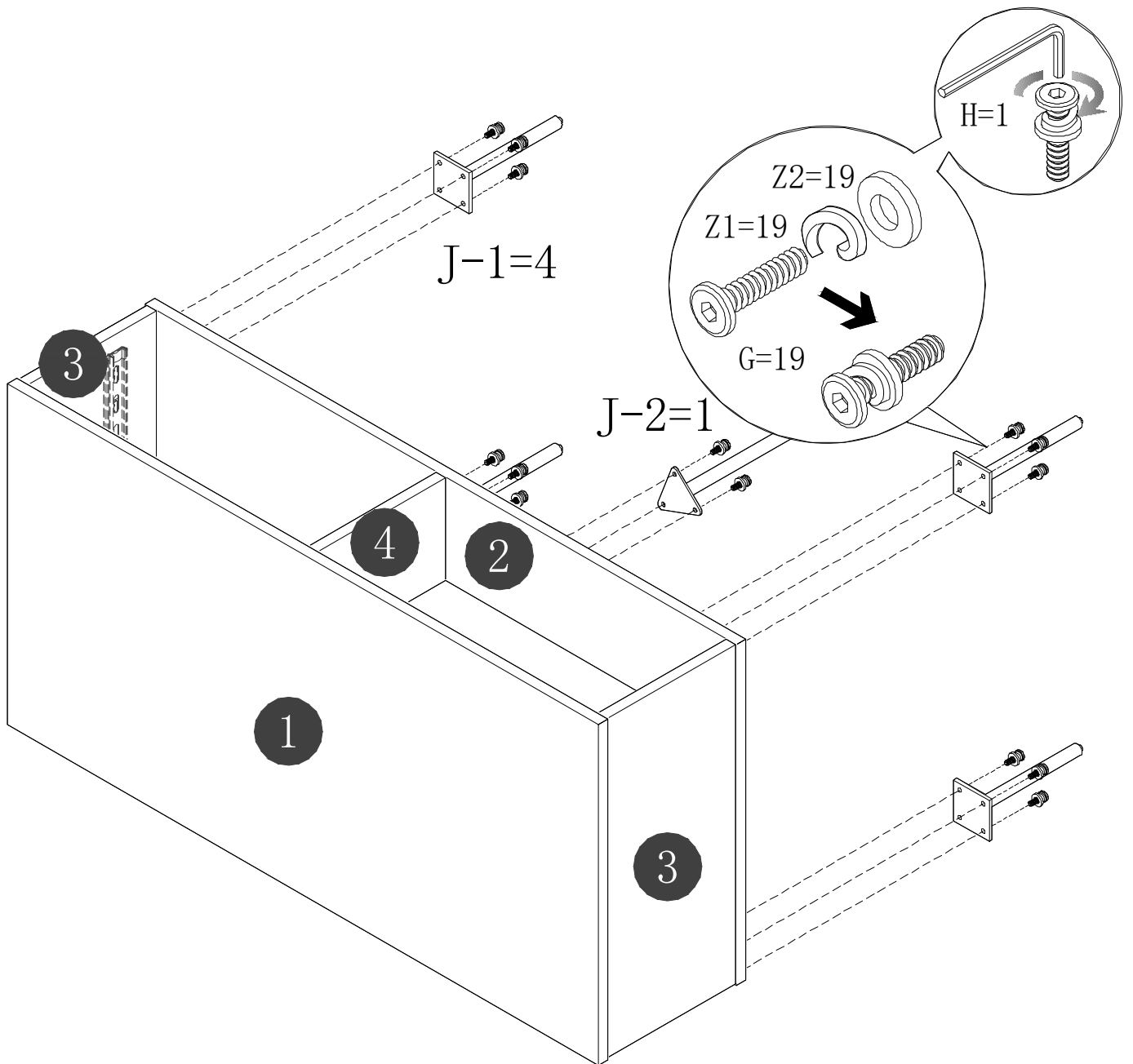
STEP 5



STEP 6

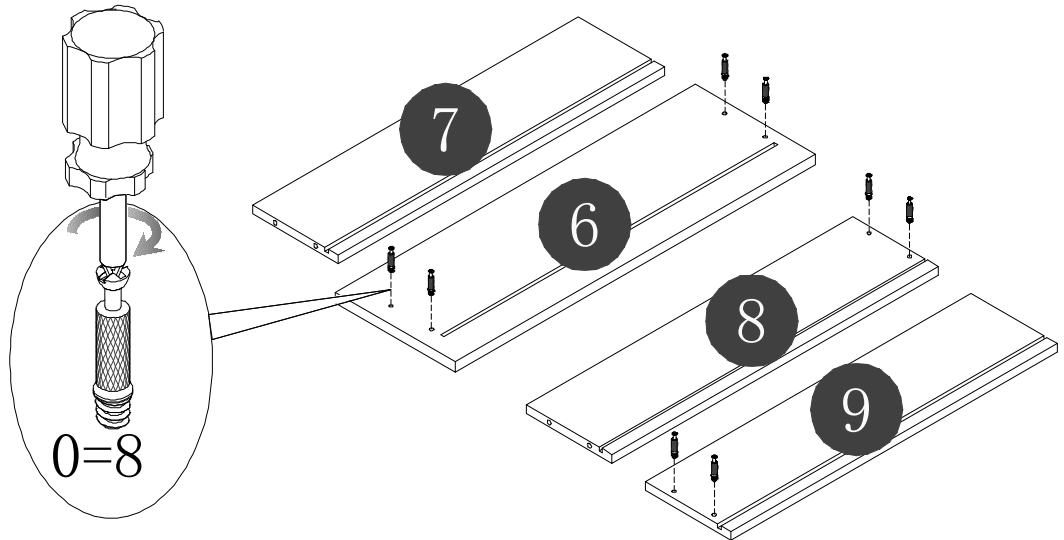


STEP 7

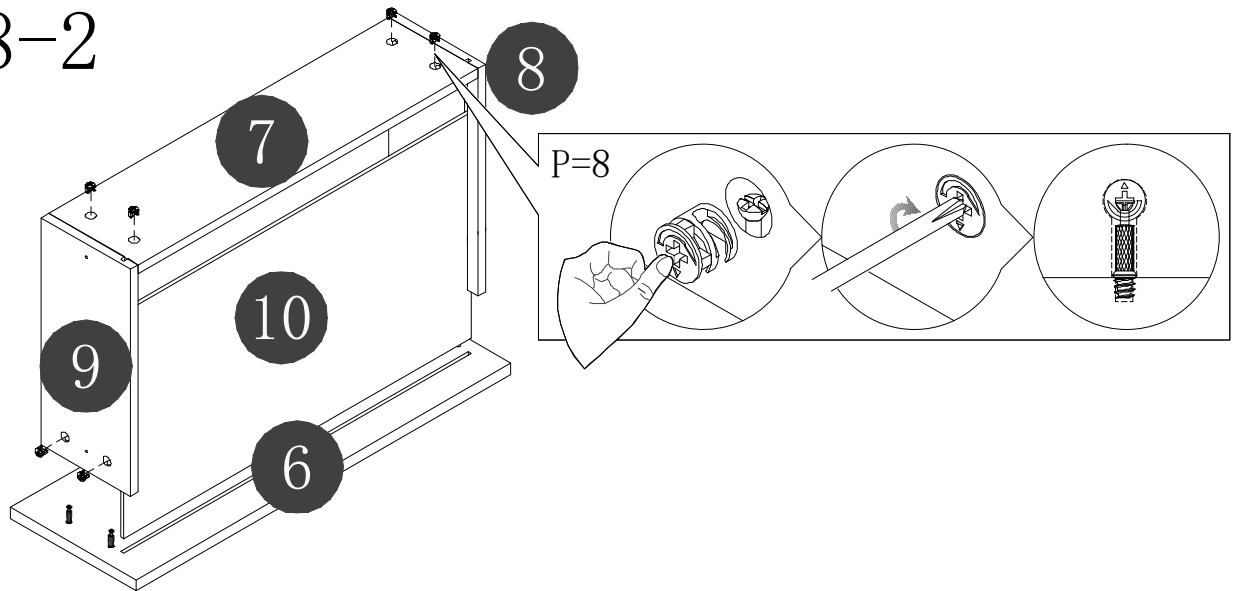


STEP 8

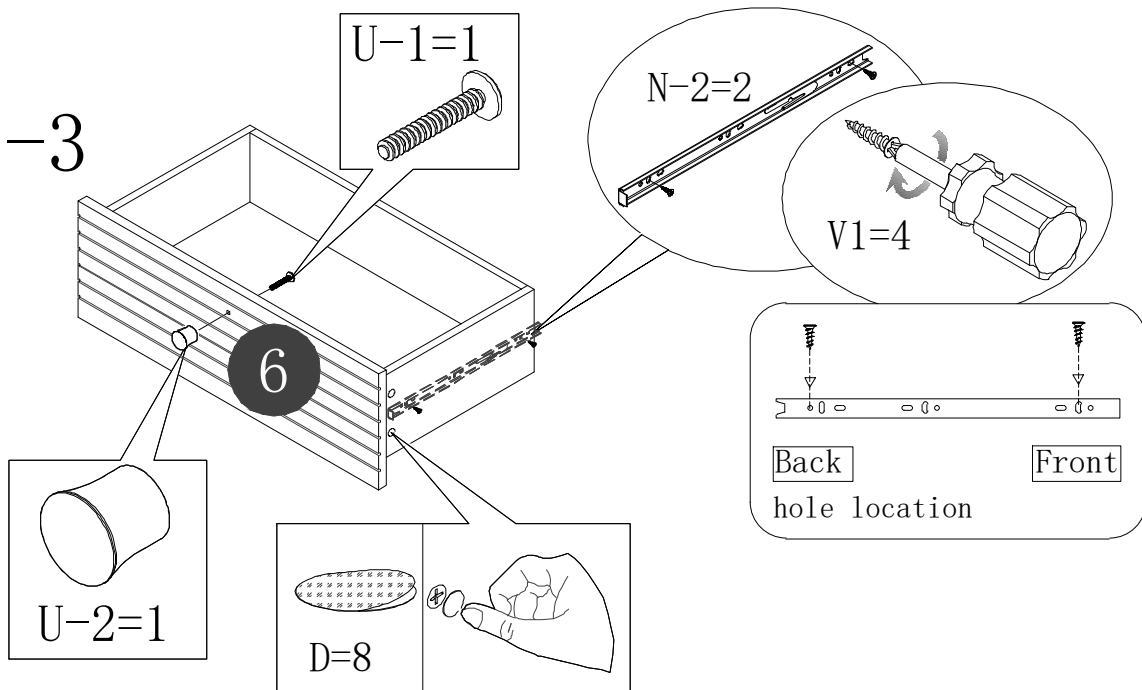
8-1



8-2

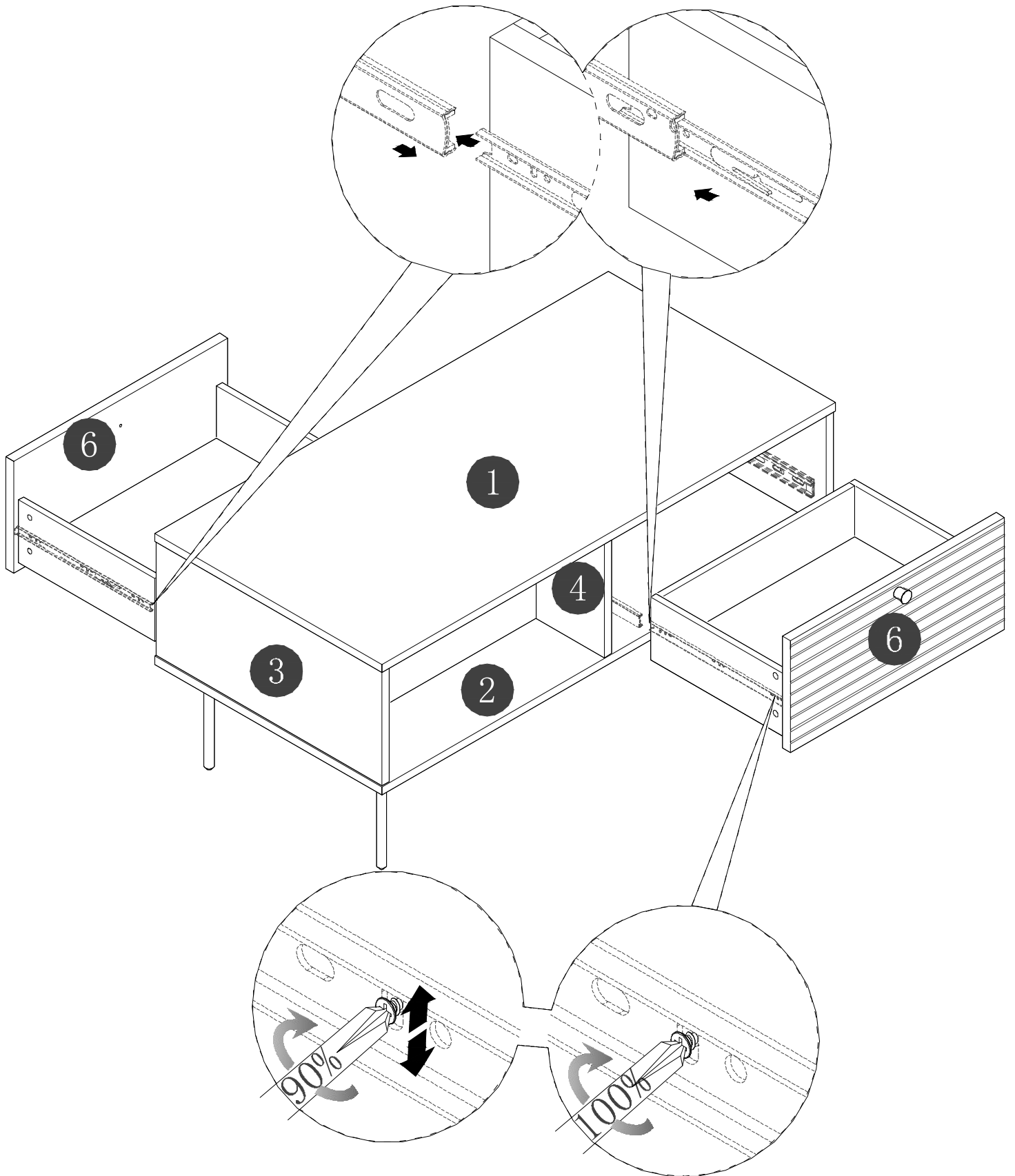


8-3

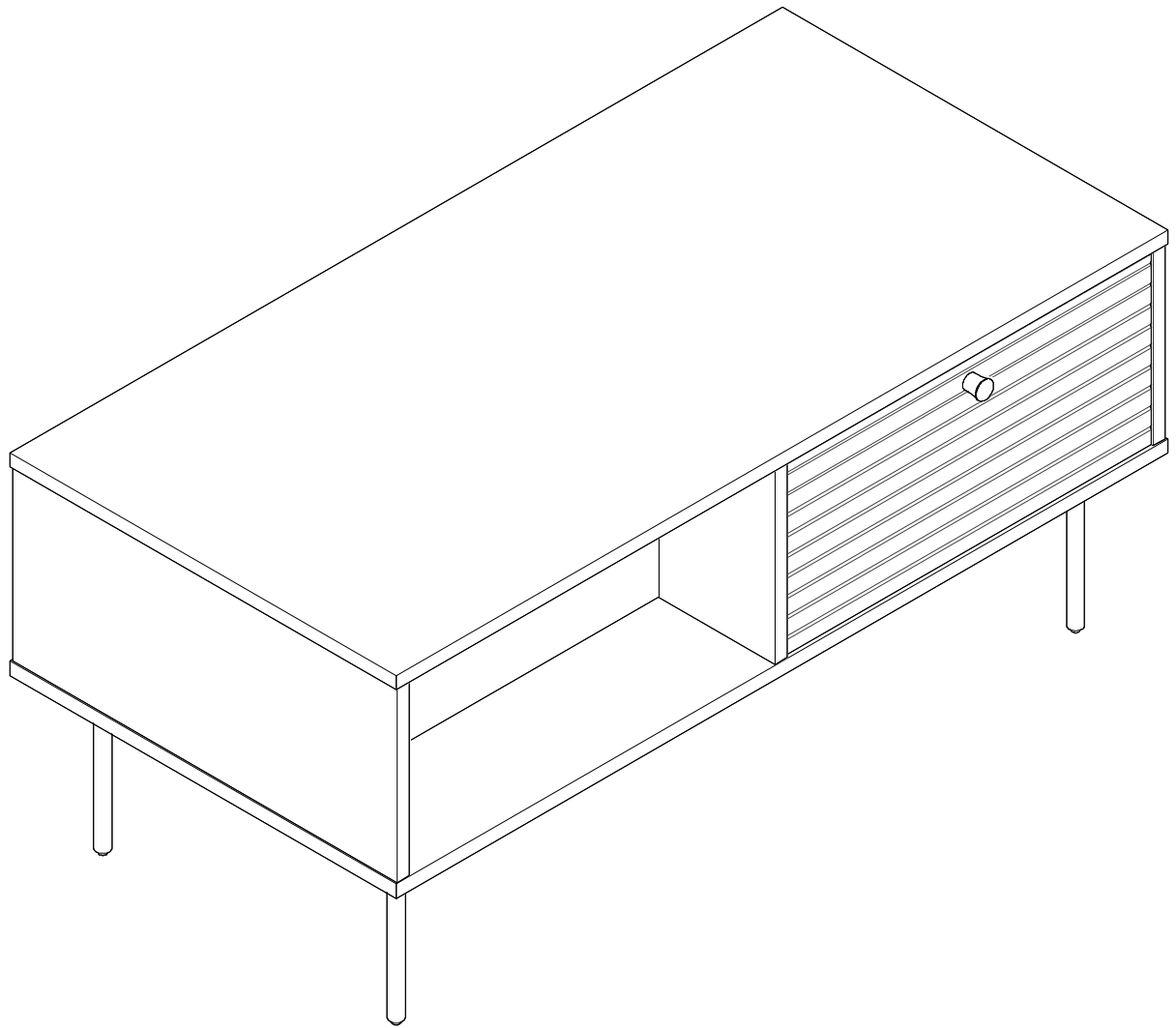


X2

STEP 9



STEP 10



Finish