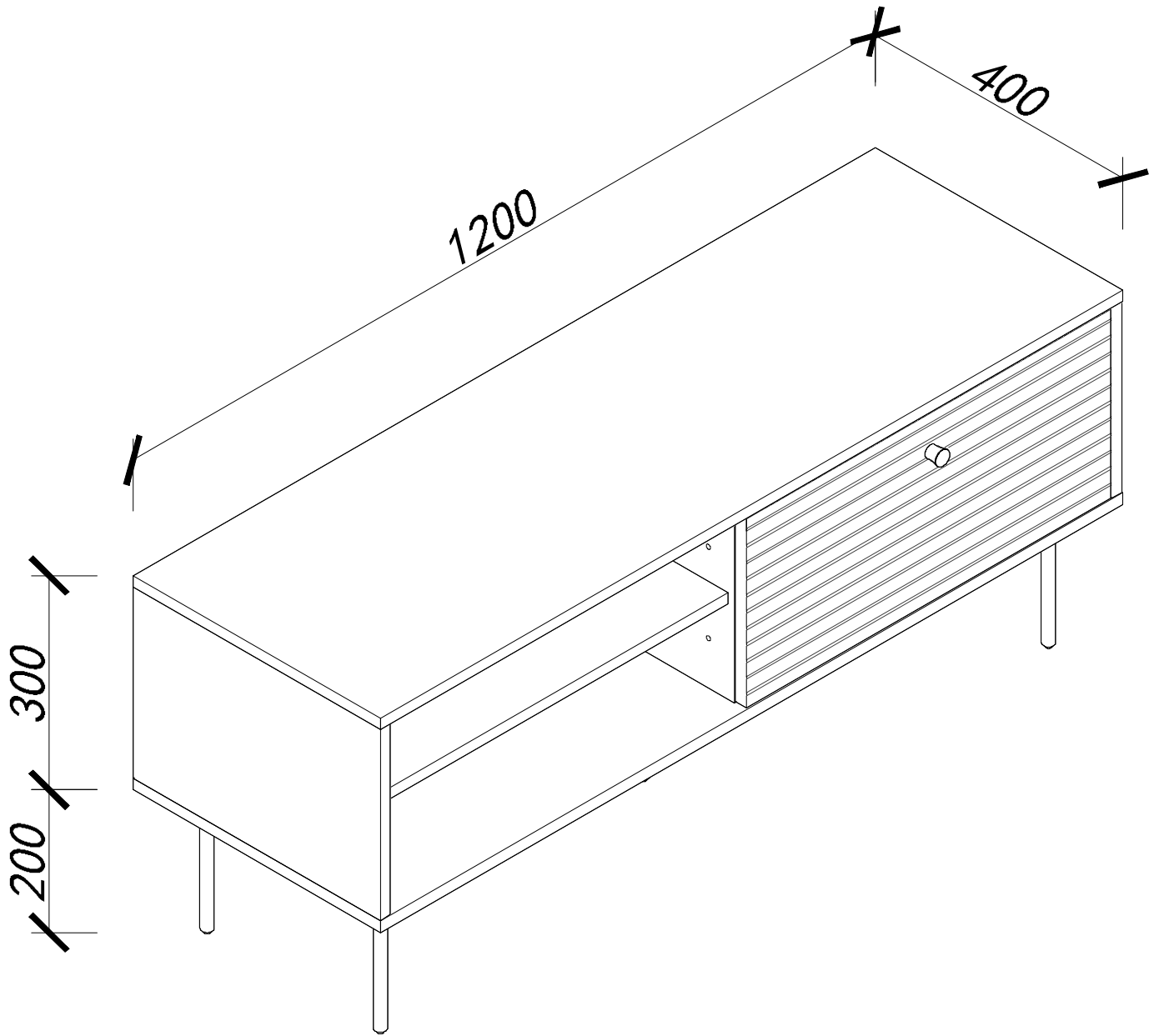
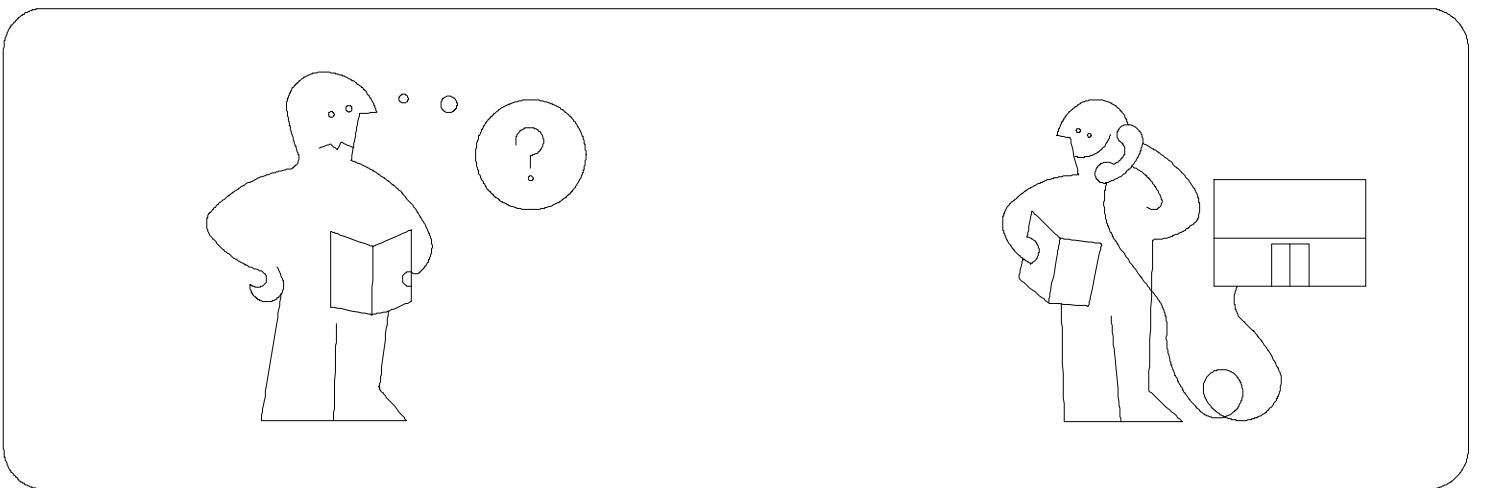
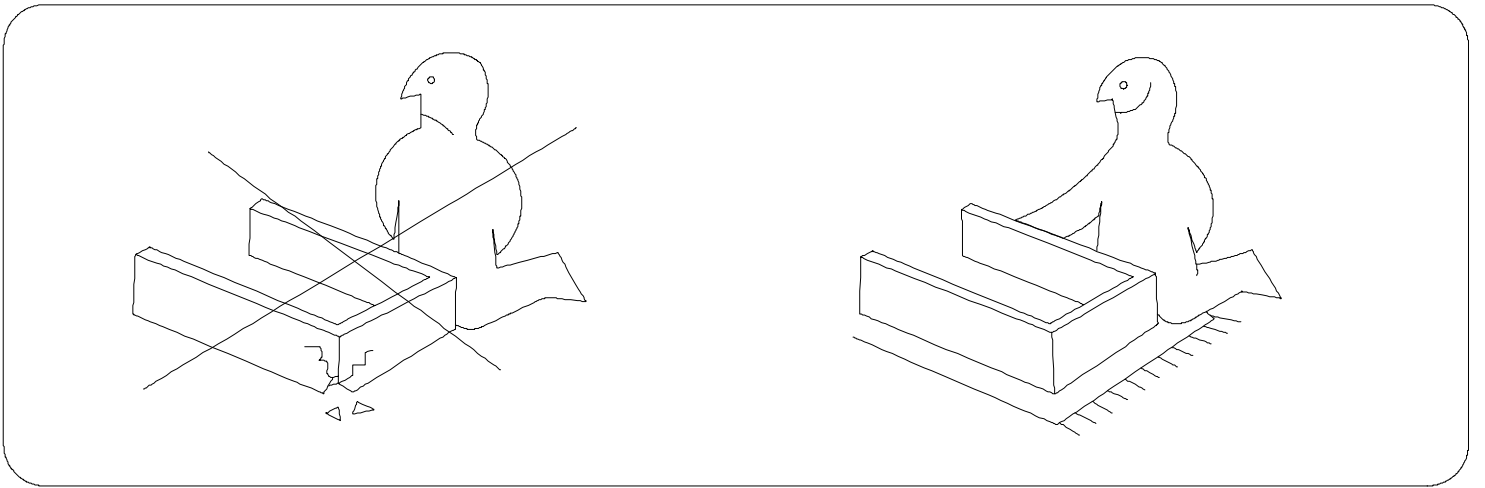
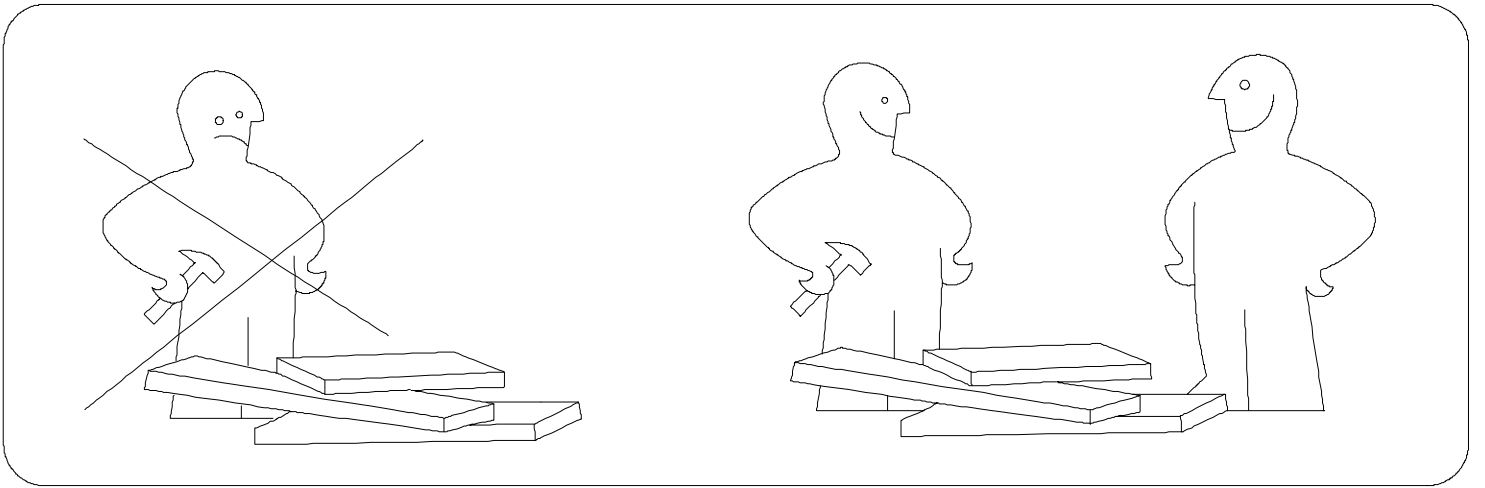
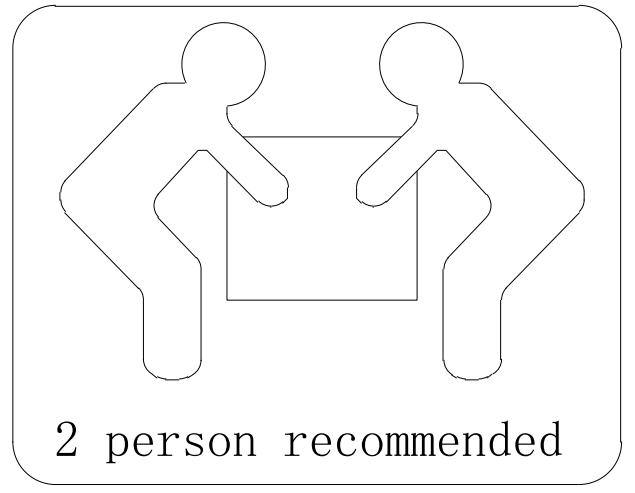
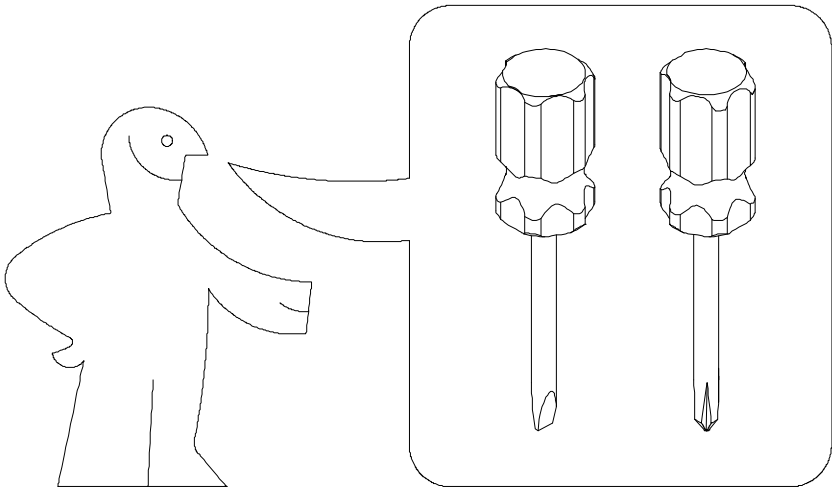


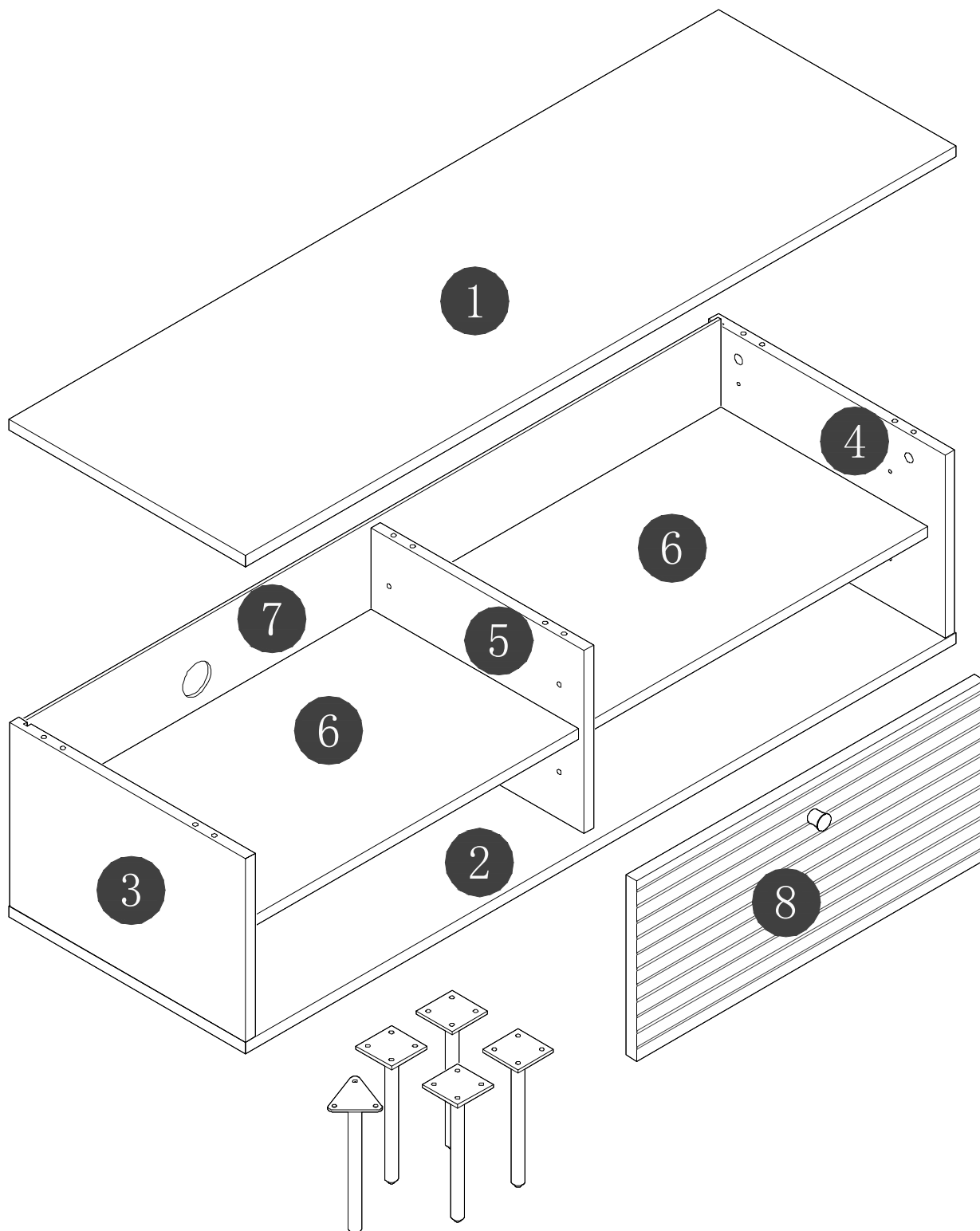
Assembly Instruction





| Panel No | Panel Sizes | Quantity |
|----------|-------------|----------|
| 1 | 1200*400*16 | 1 |
| 2 | 1200*400*16 | 1 |
| 3 | 268*399*16 | 1 |
| 4 | 268*399*16 | 1 |

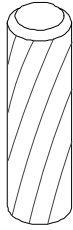
| Panel No | Panel Sizes | Quantity |
|----------|-------------|----------|
| 5 | 268*360*16 | 1 |
| 6 | 572*350*16 | 2 |
| 7 | 1176*278*5 | 1 |
| 8 | 587*264*18 | 1 |



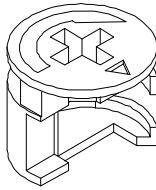
Fittings



A=6



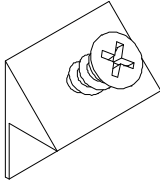
B=12



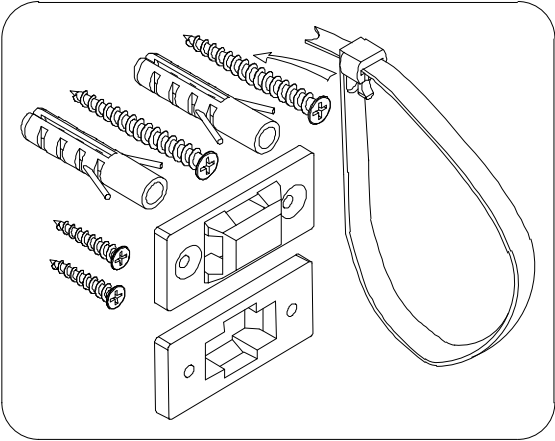
C=6



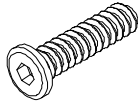
D=6



E=6

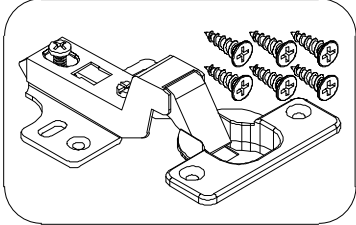


F=1

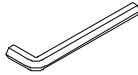


M6*16

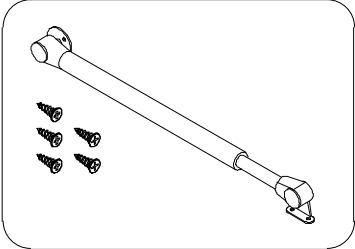
G=19



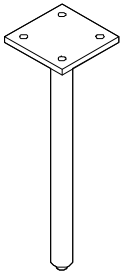
I3=2



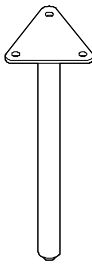
H=1



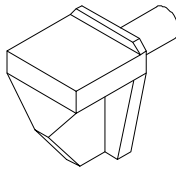
S=1



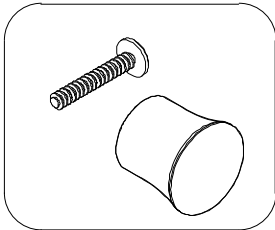
J-1=4



J-2=1



L=8



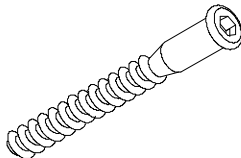
U=1



Z1=19

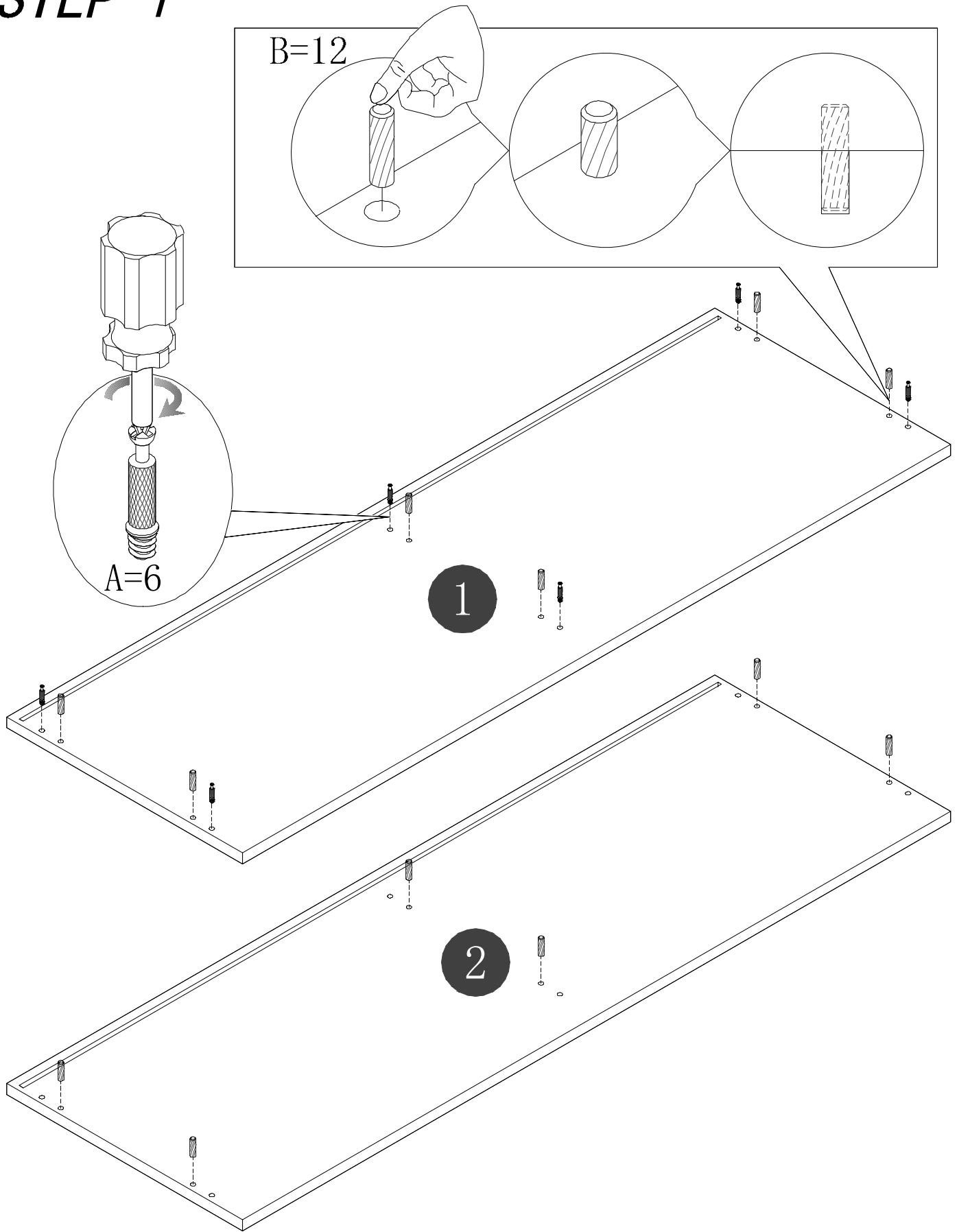


Z2=19

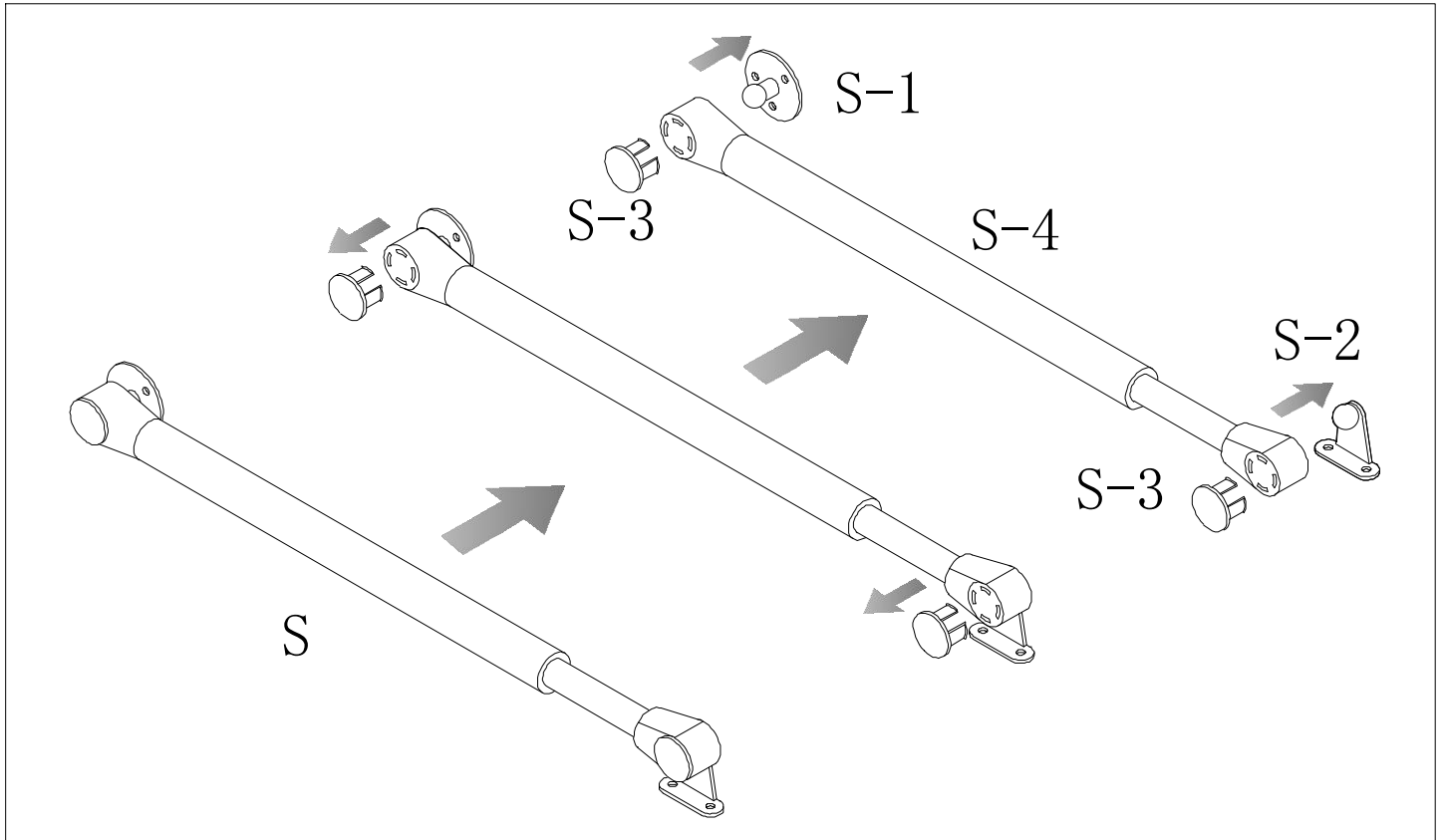


Q=6

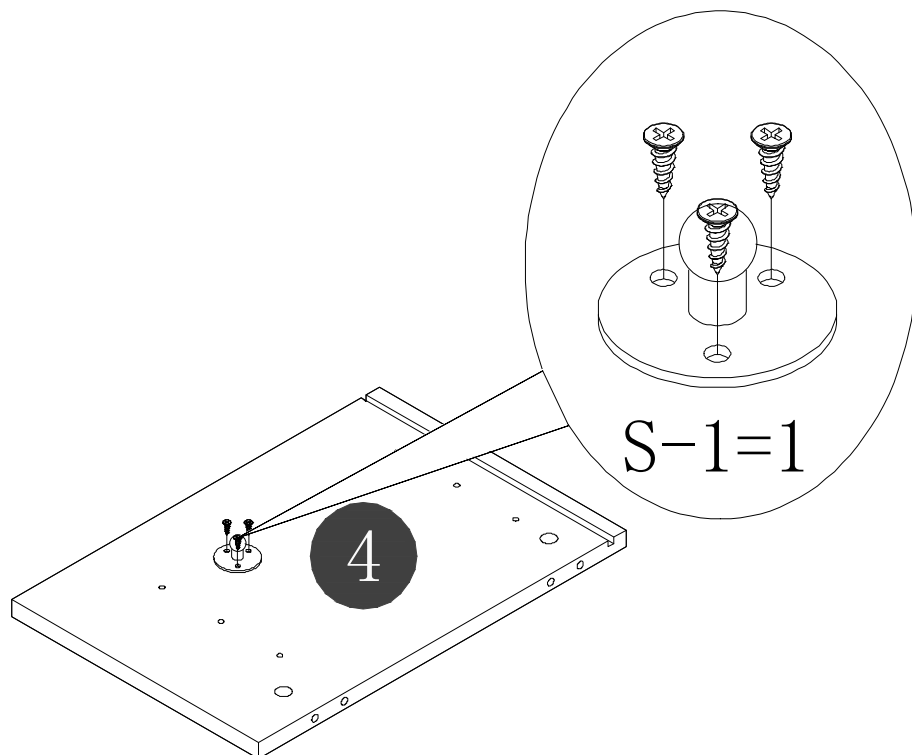
STEP 1



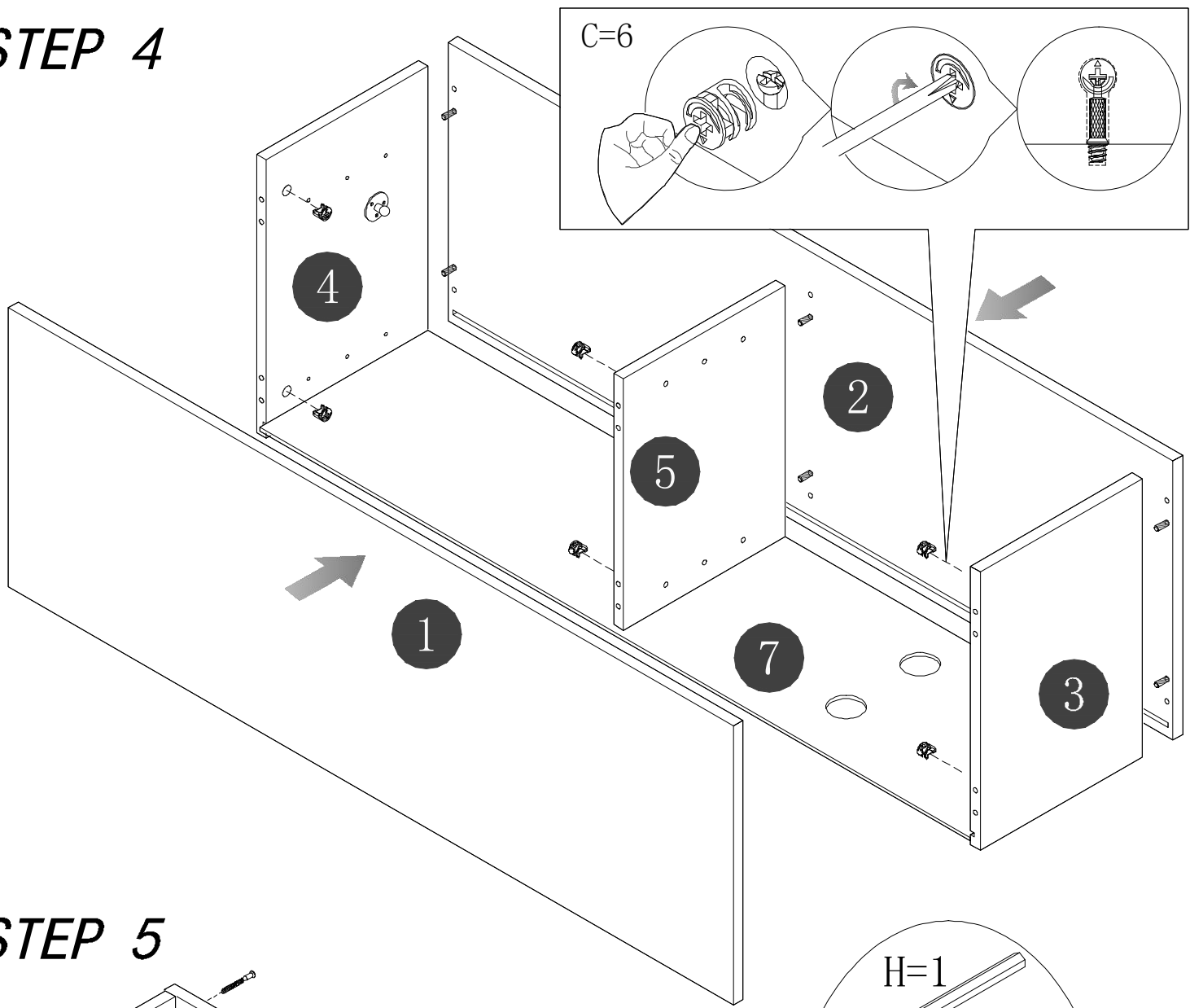
STEP 2



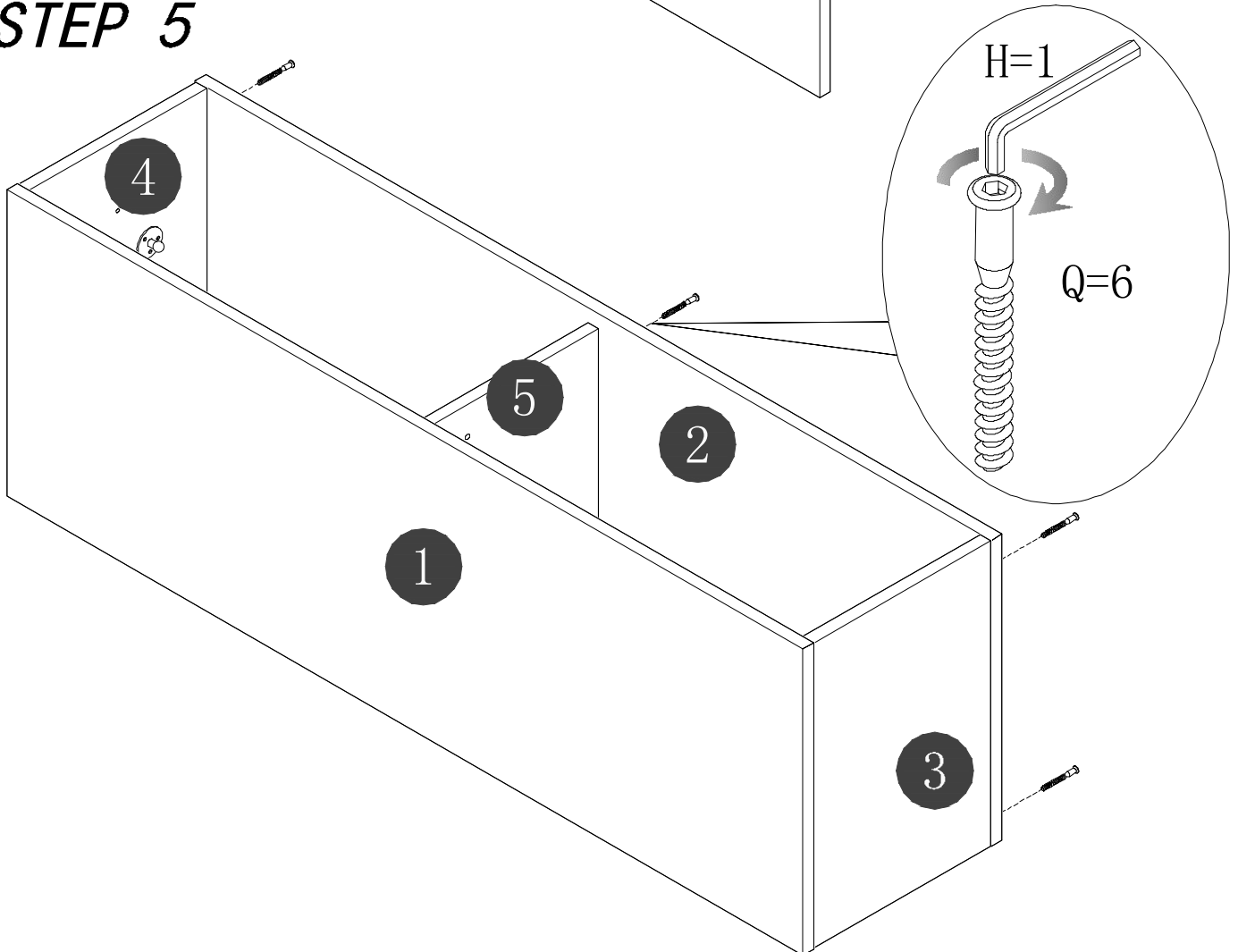
STEP 3



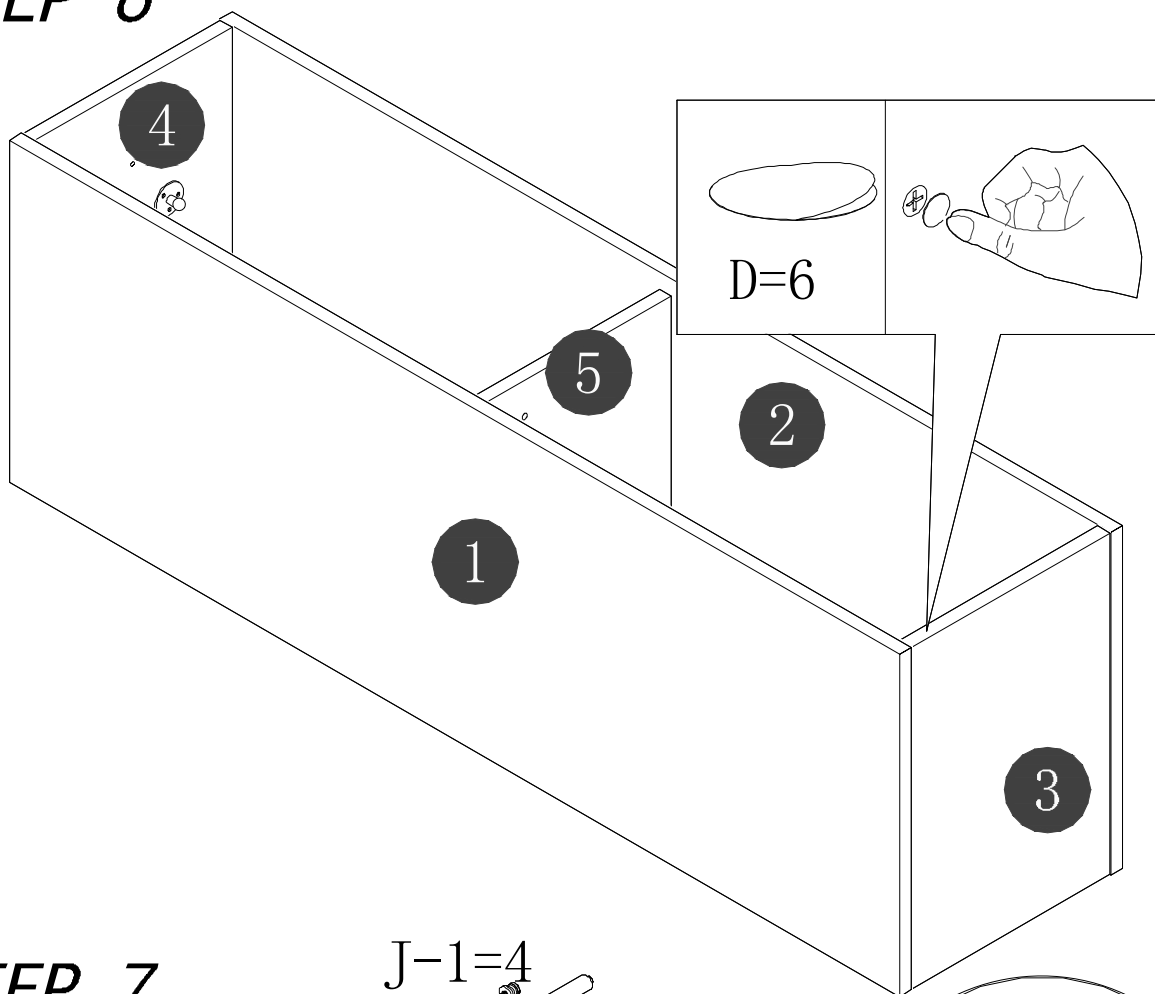
STEP 4



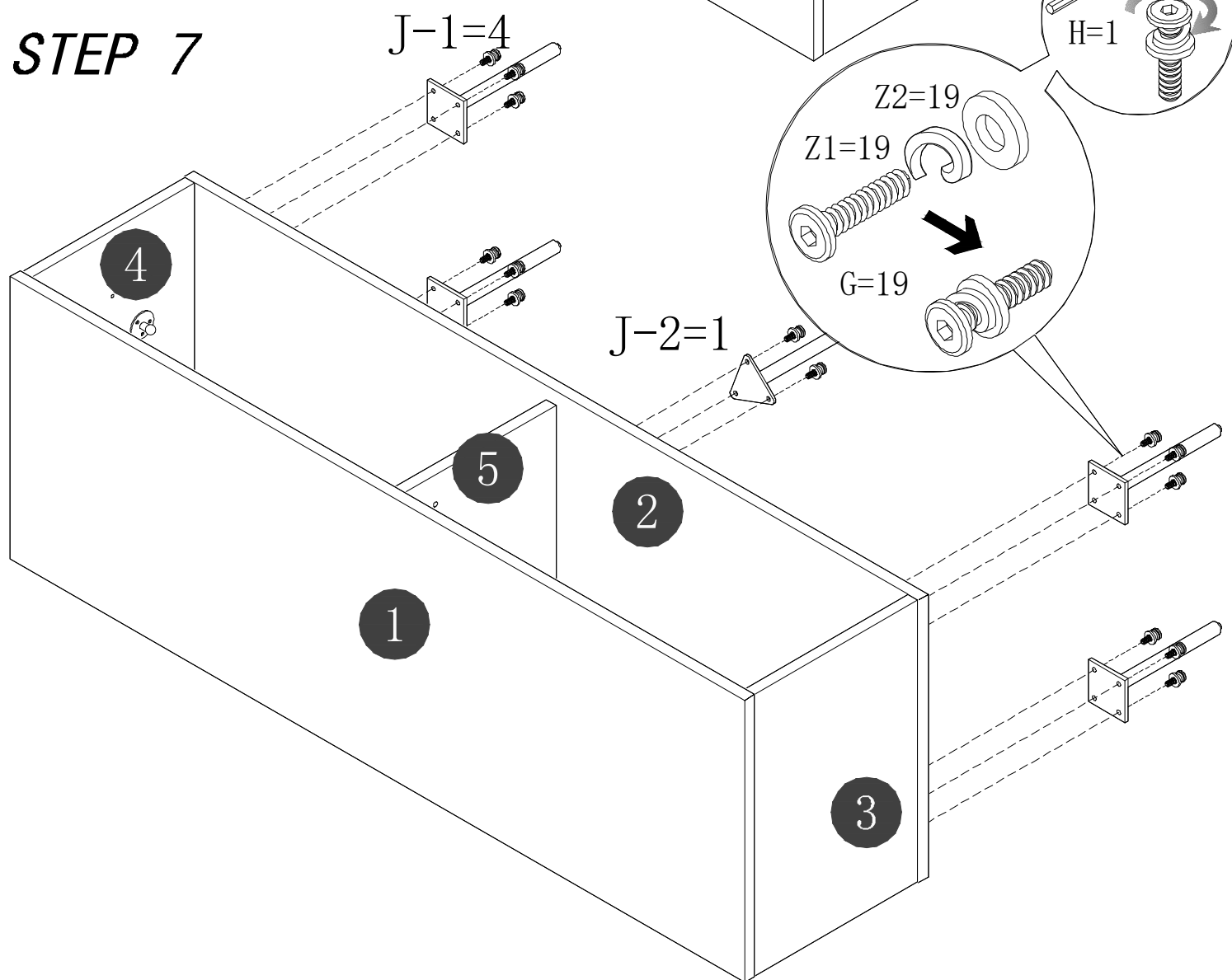
STEP 5



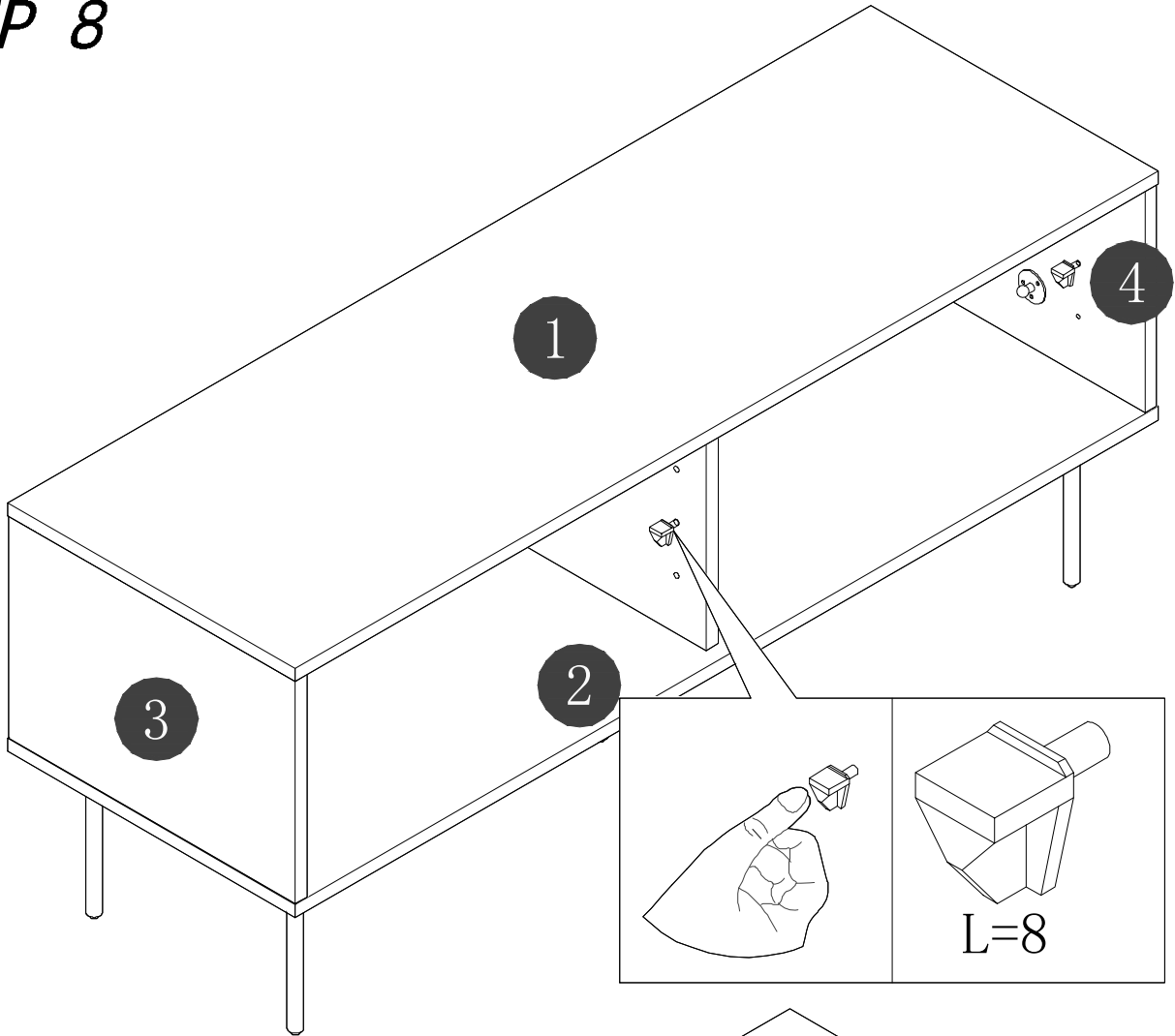
STEP 6



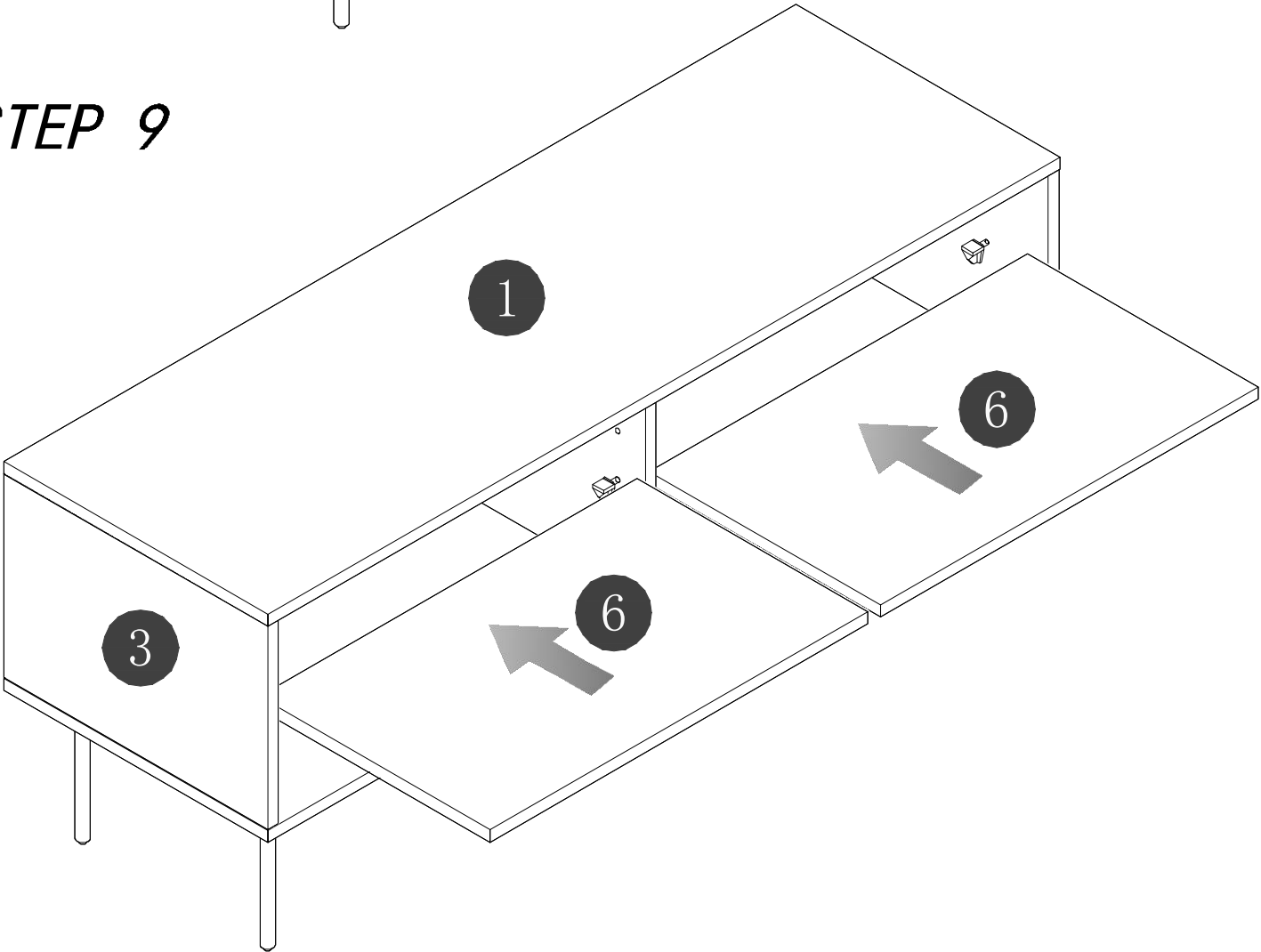
STEP 7



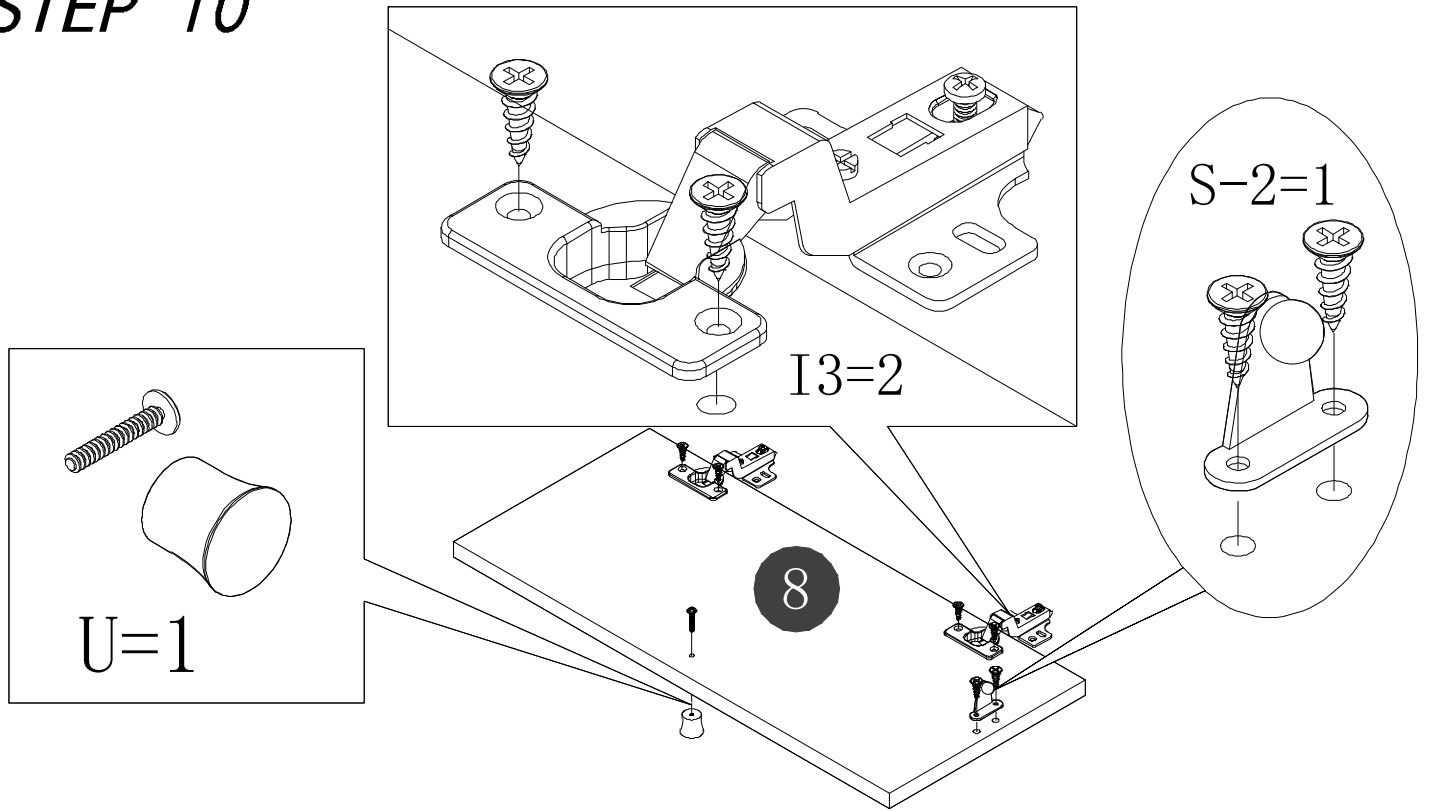
STEP 8



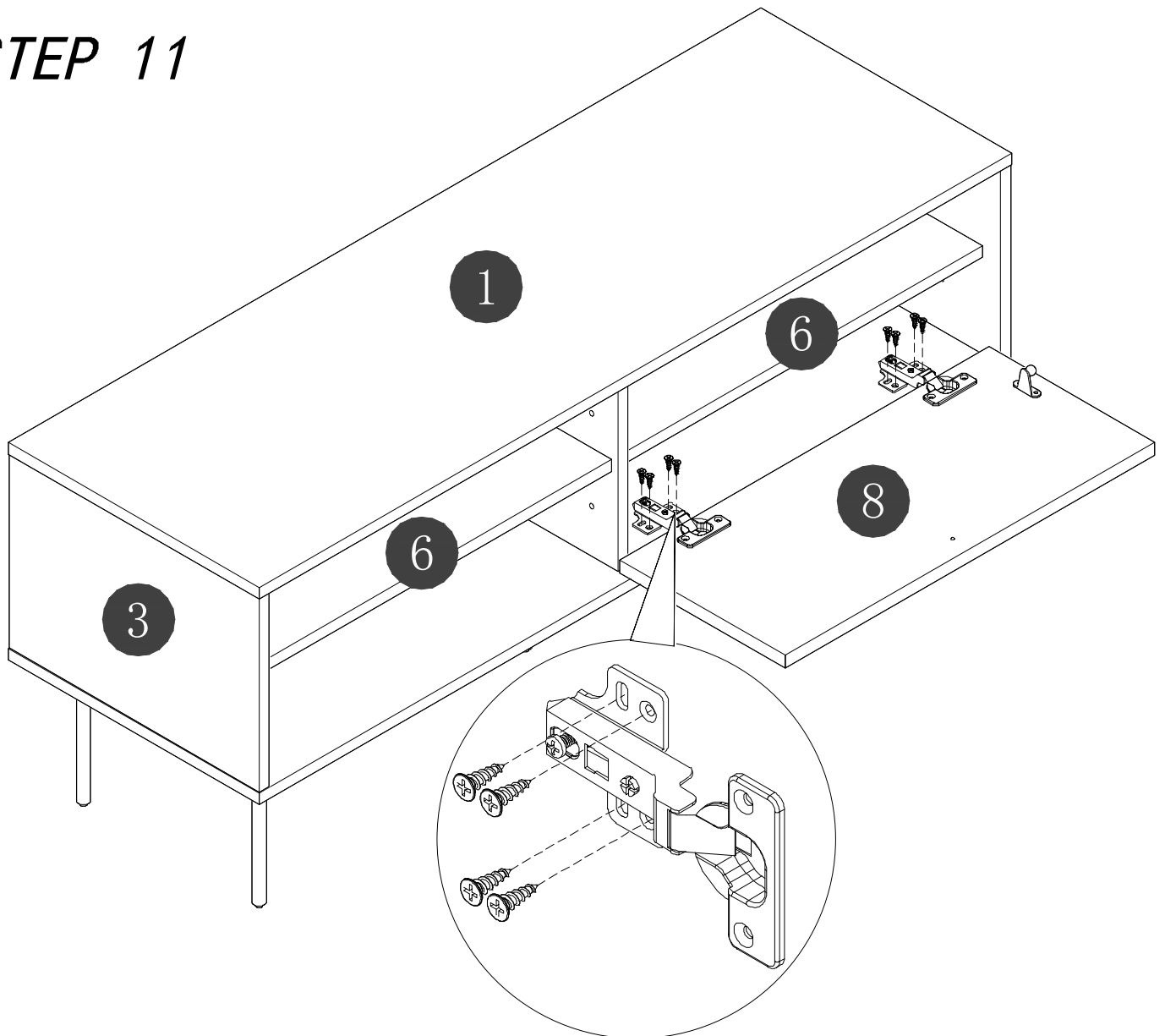
STEP 9



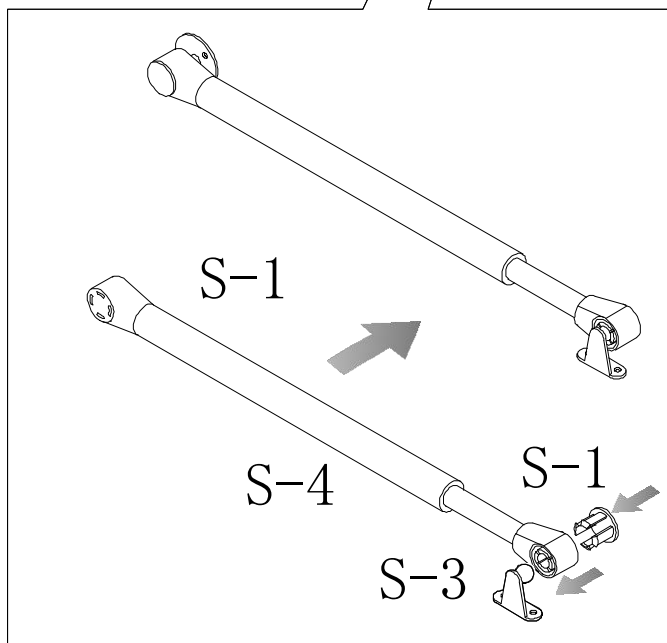
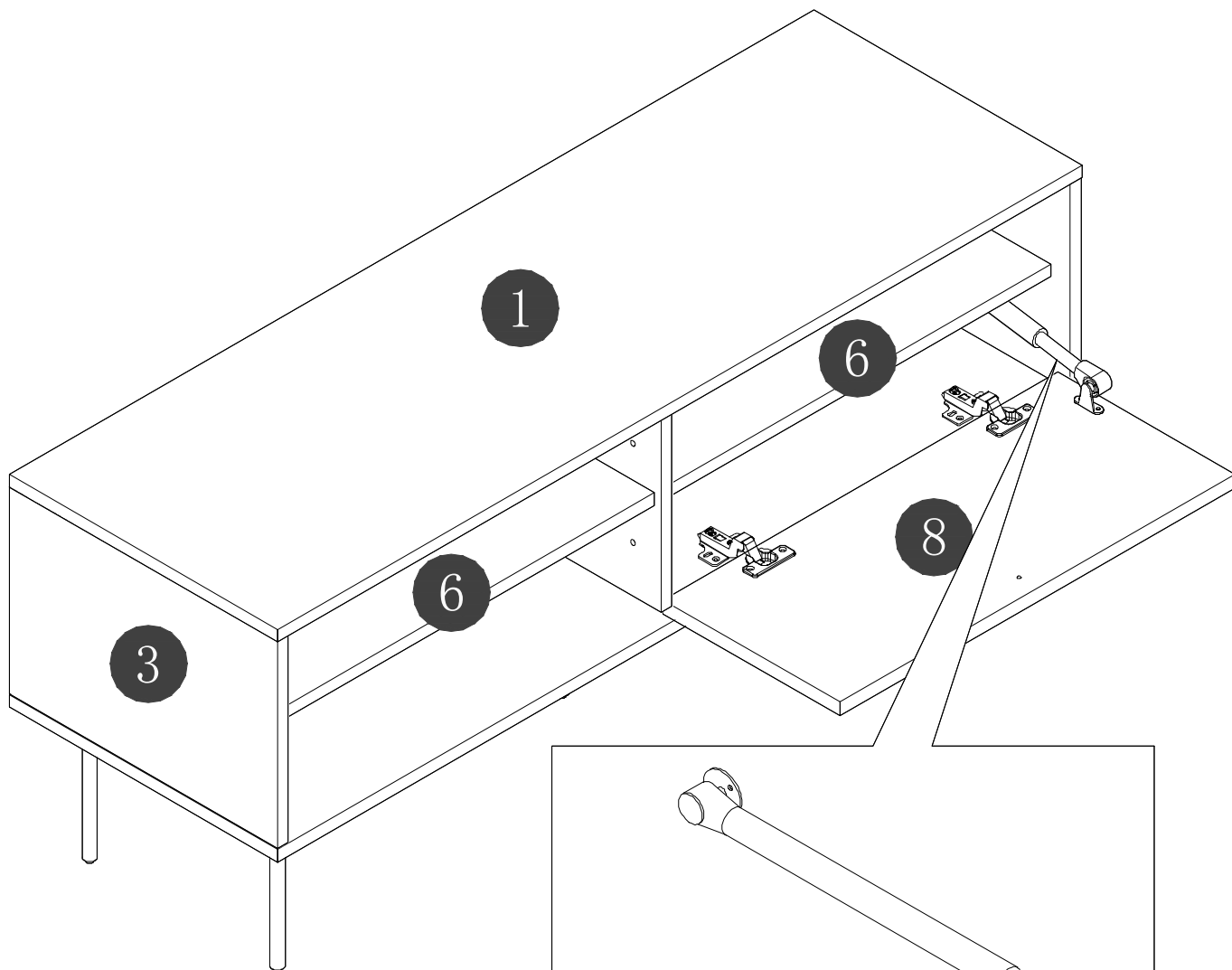
STEP 10



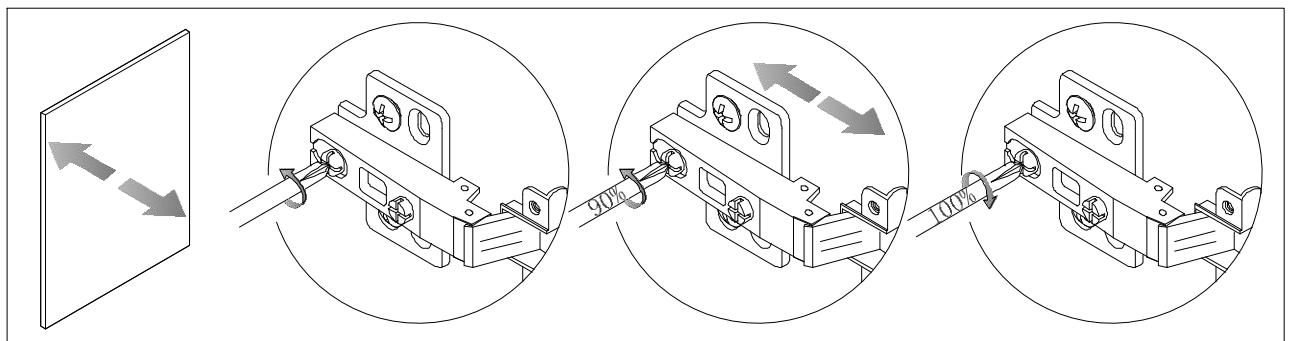
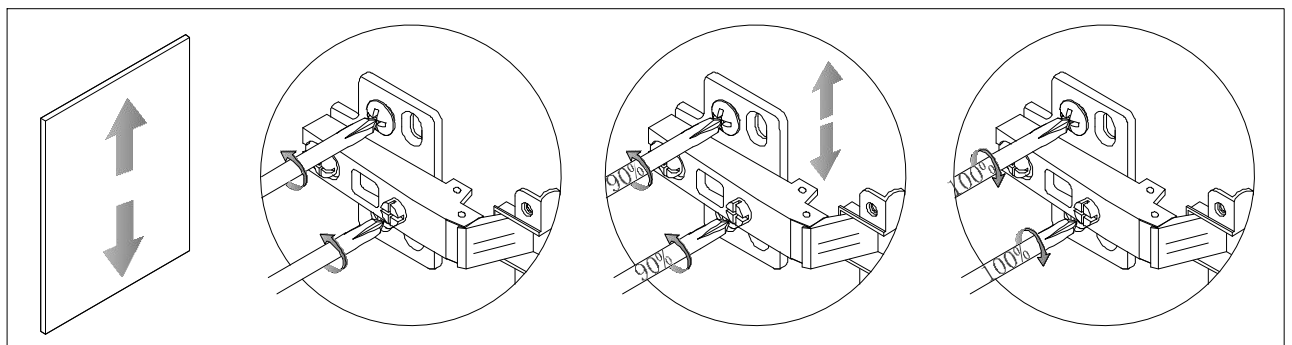
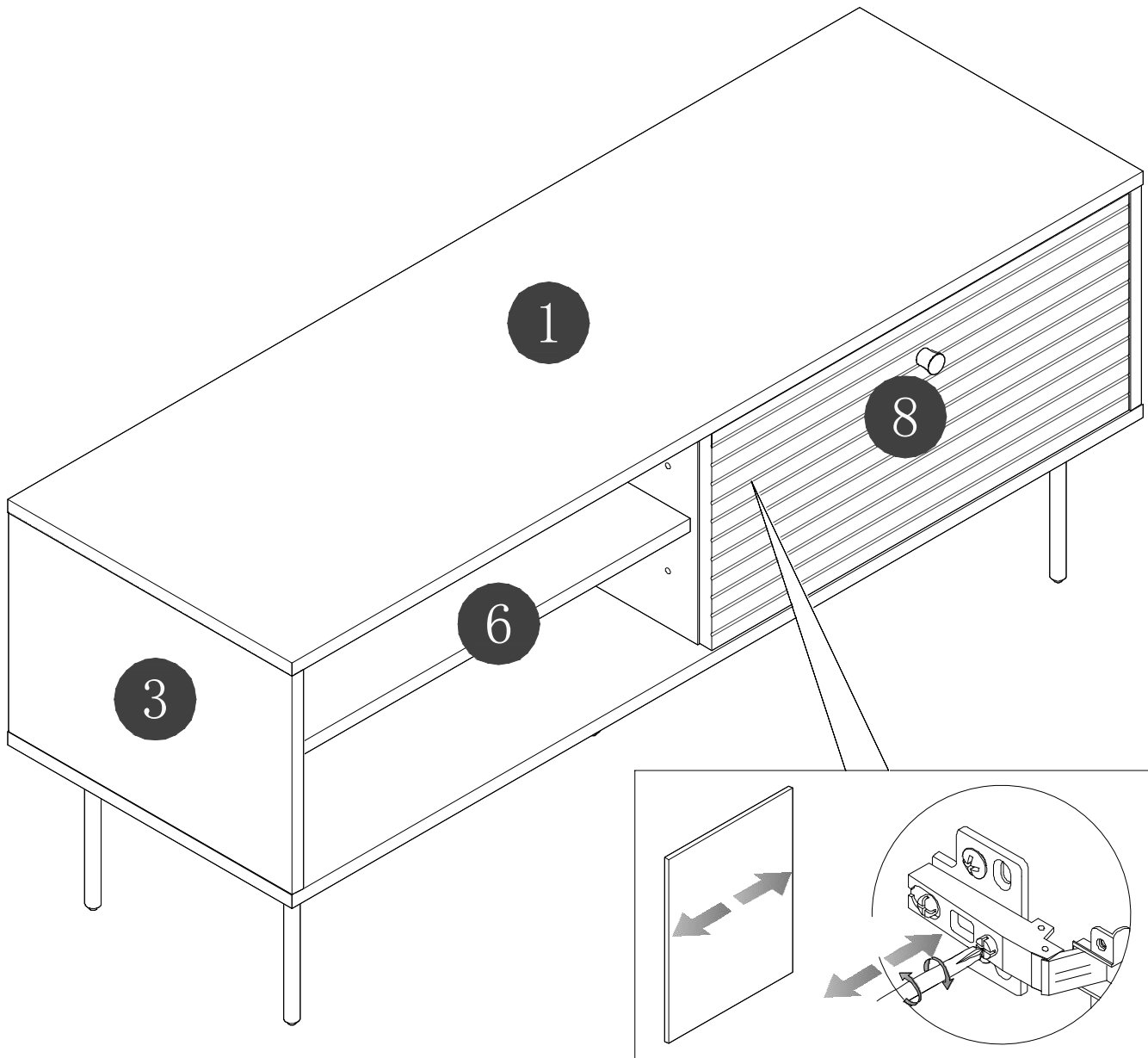
STEP 11



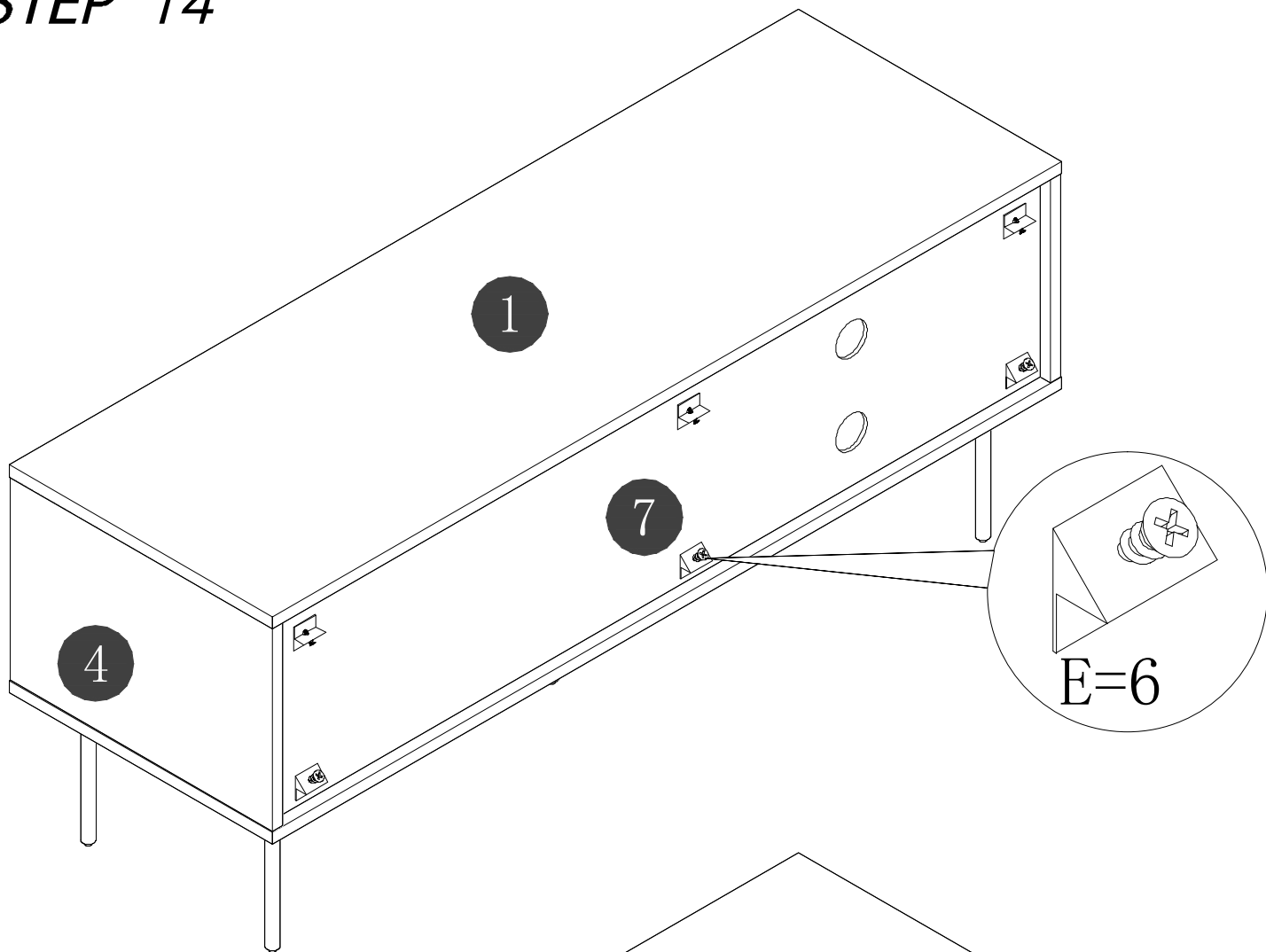
STEP 12



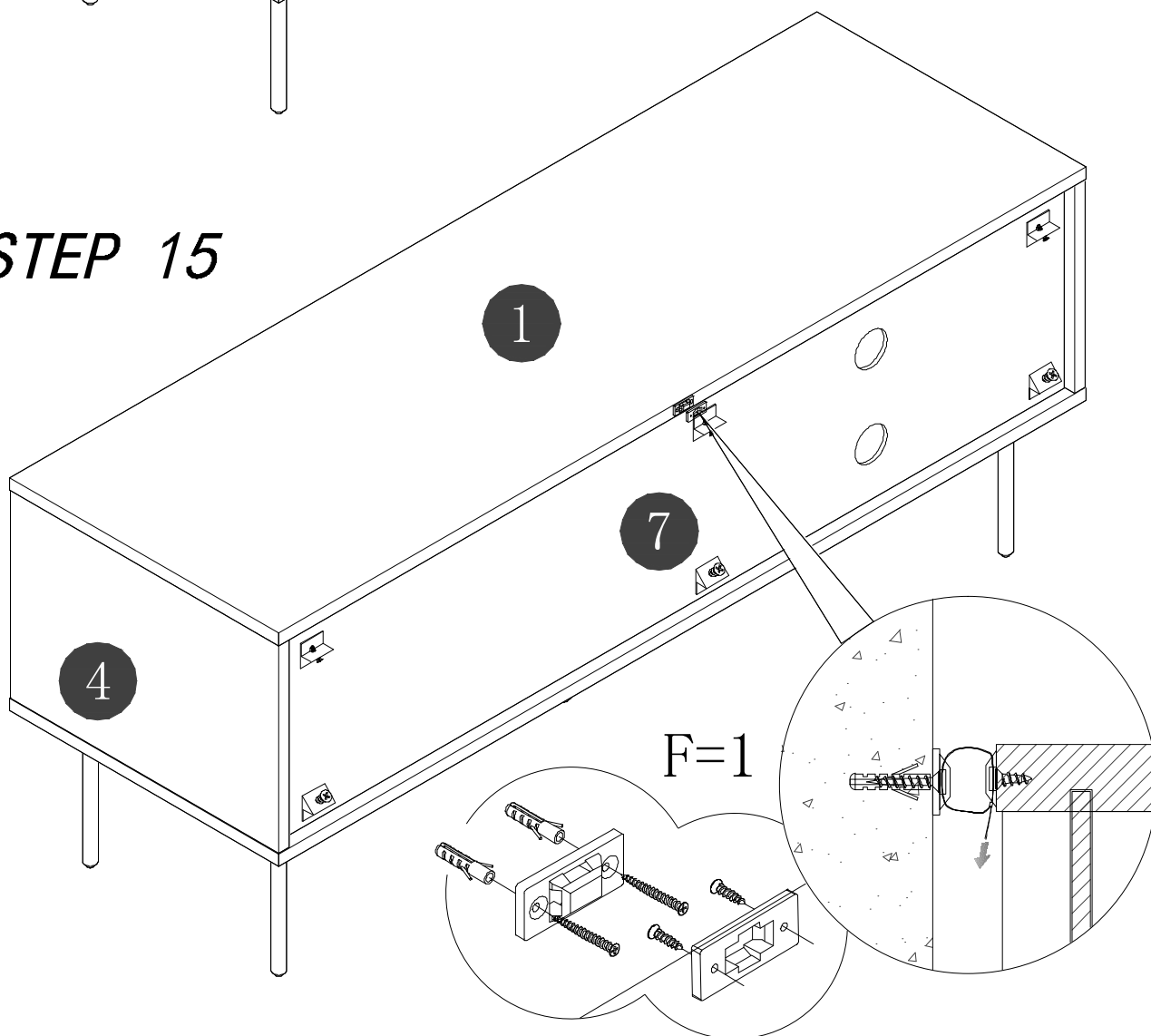
STEP 13



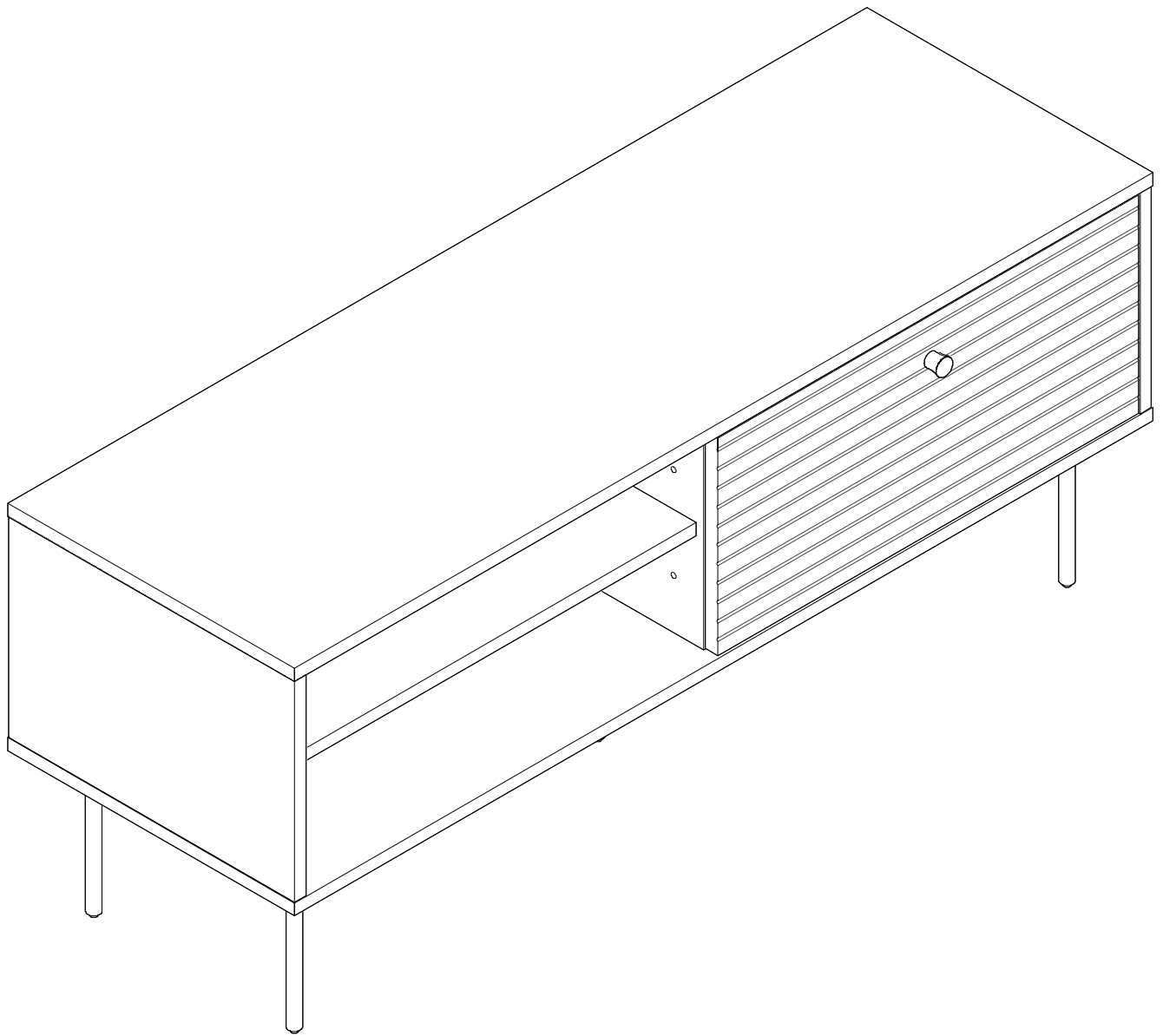
STEP 14



STEP 15



STEP 16



Finish