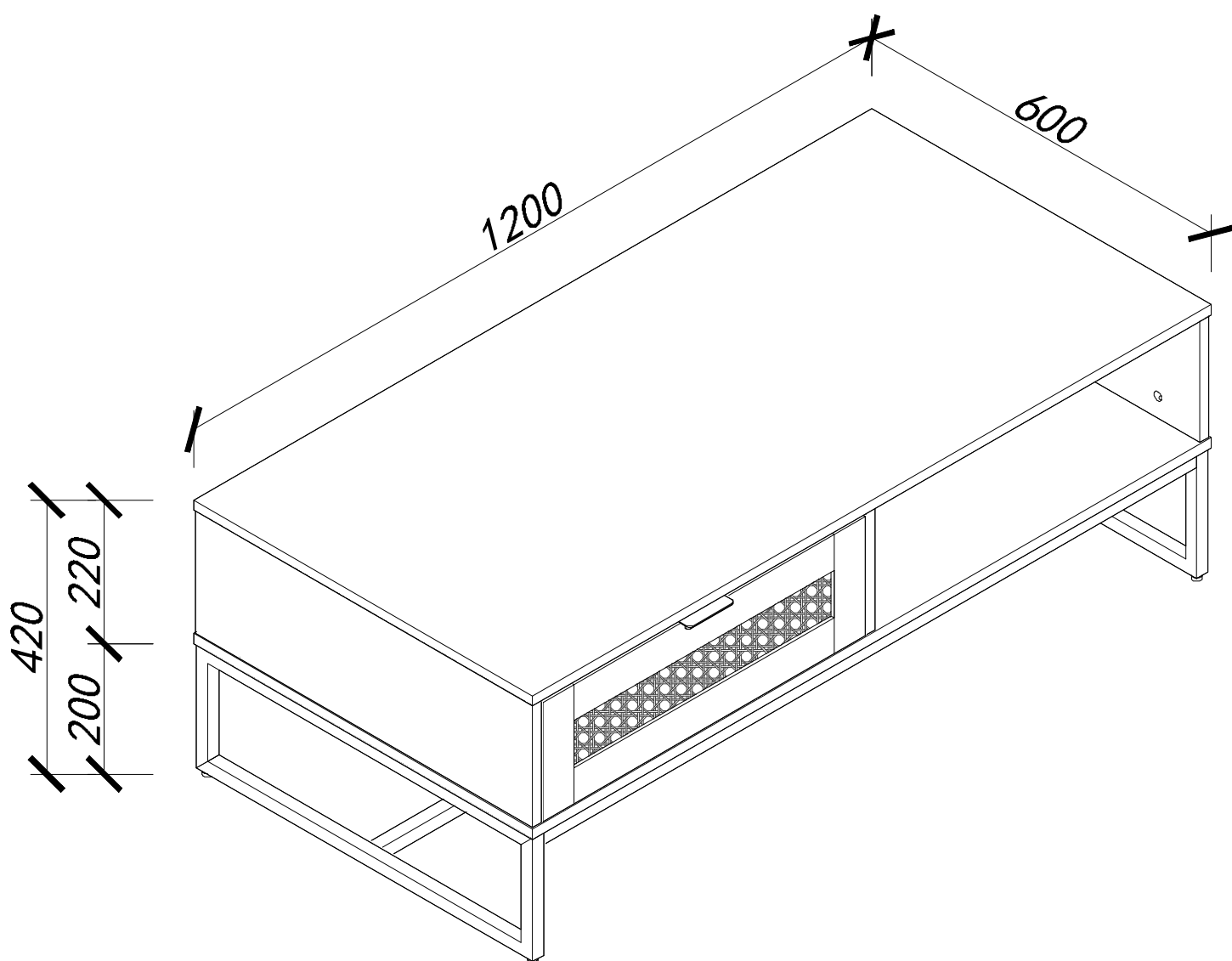
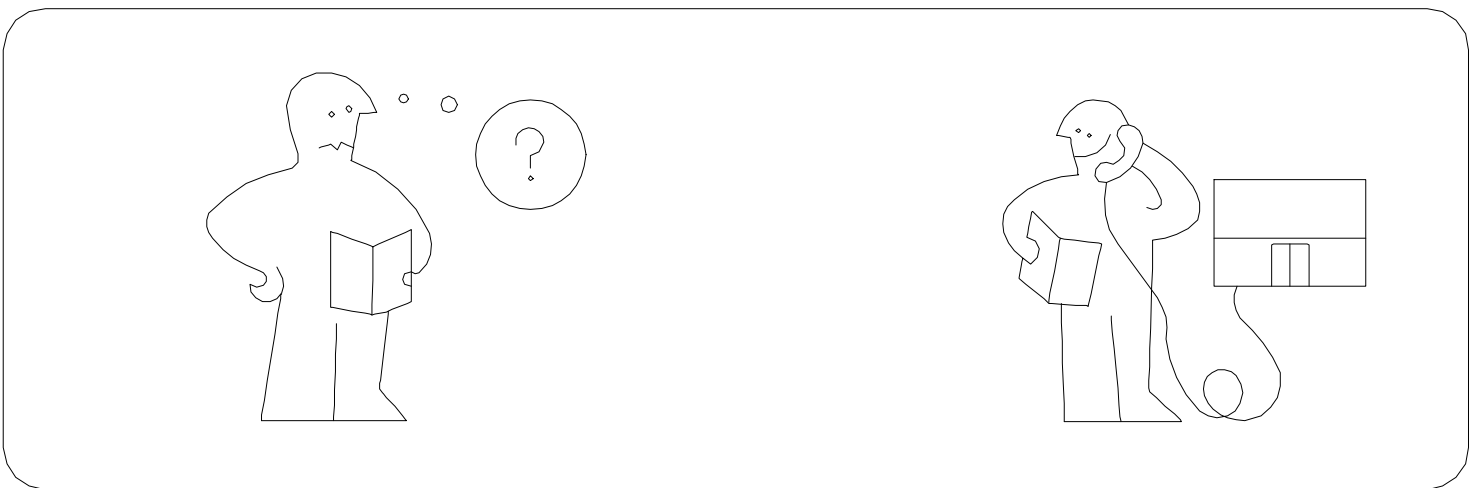
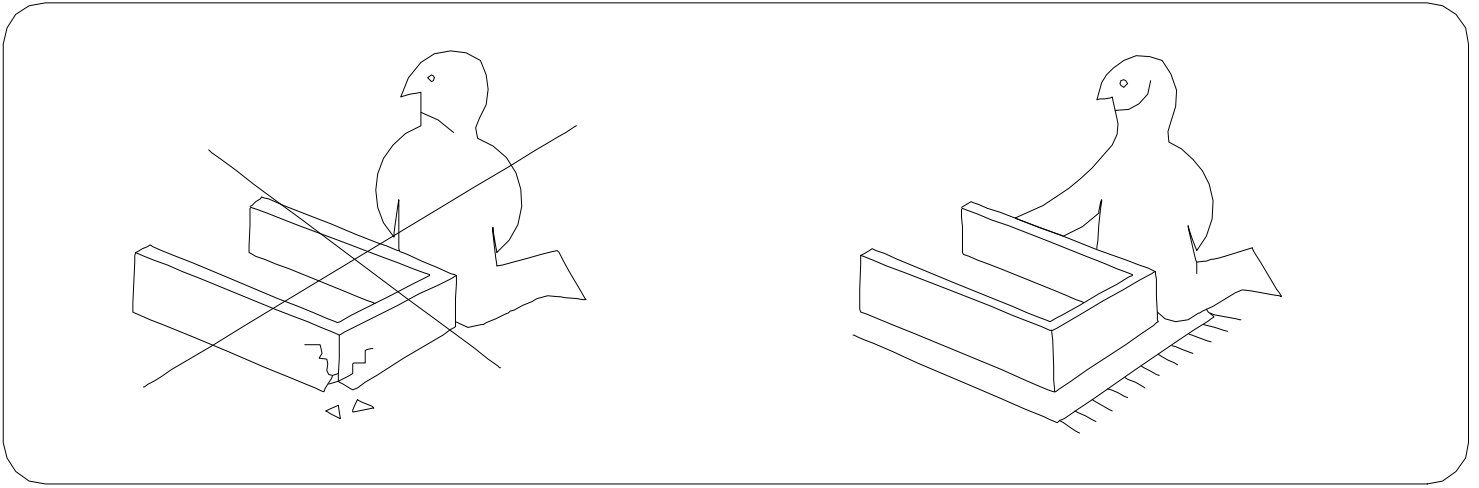
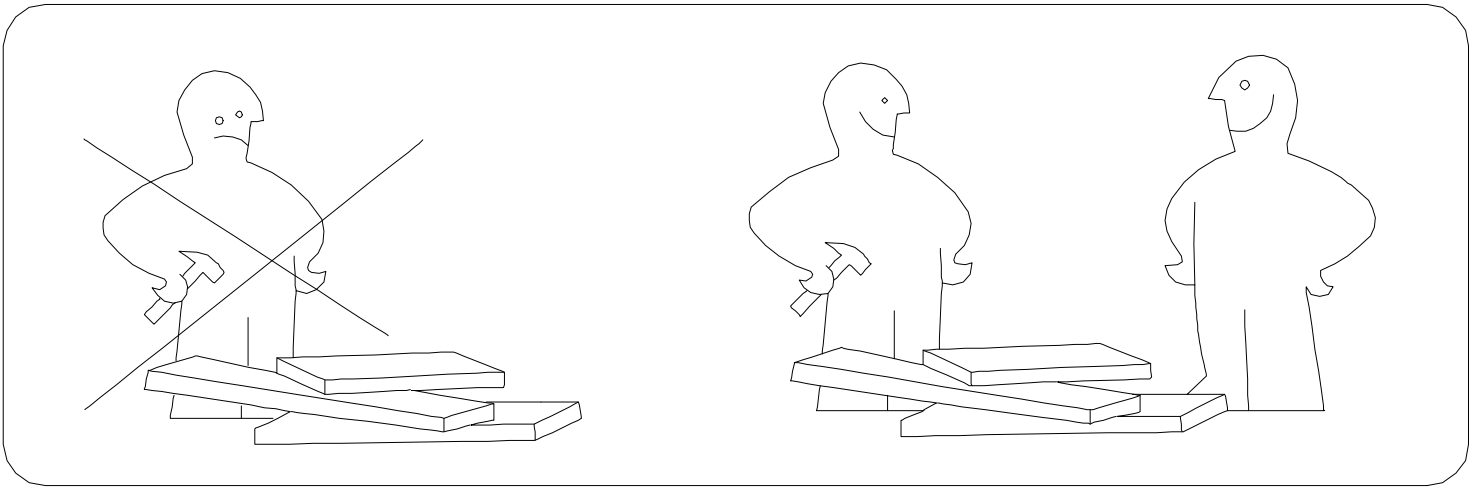
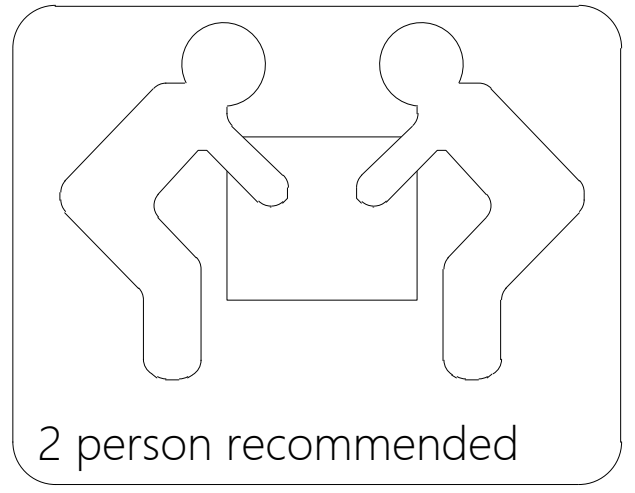
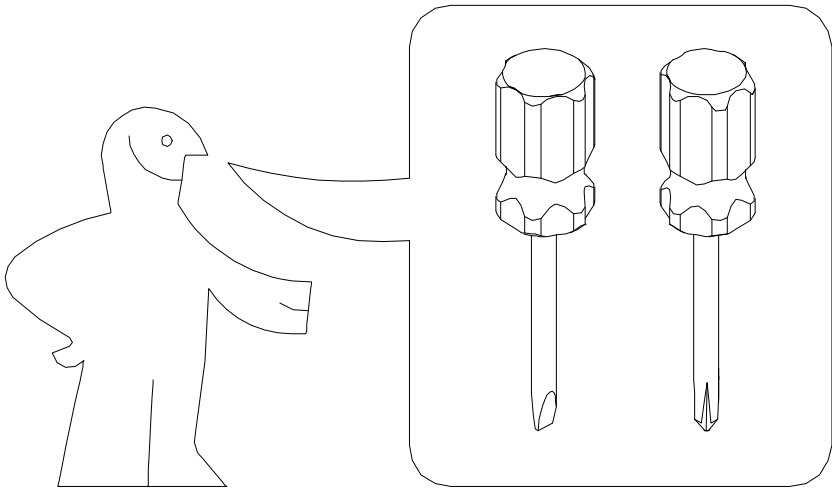
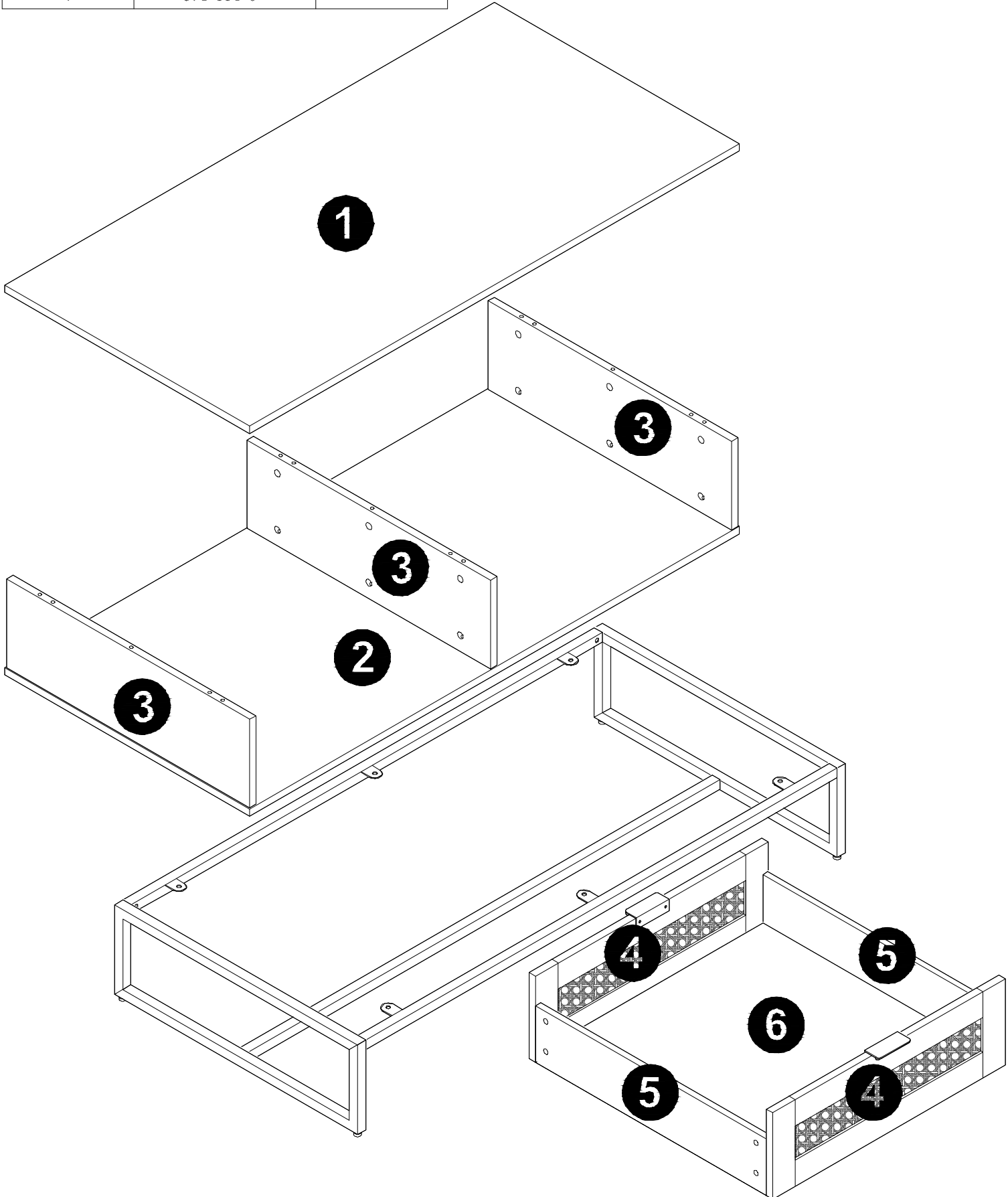


Assembly Instruction





Panel No	Panel Sizes	Quantity
1	1200*600*16	1
2	1200*600*16	1
3	188*596*16	3
4	570*183*16	2
5	564*120*12	2
6	574*554*5	1



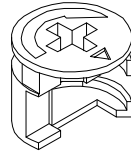
Fittings



A=18



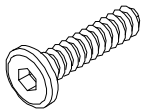
B=12



C=18



D=26

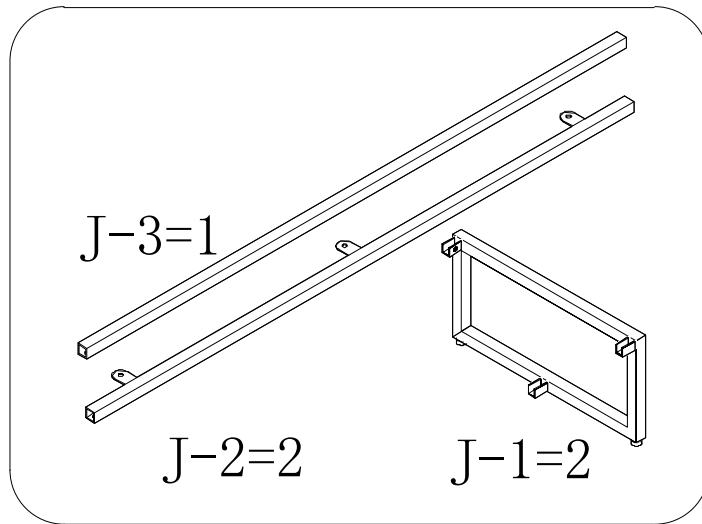


M6*16

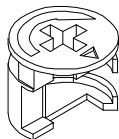
G1=12



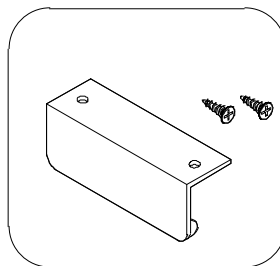
H=1



O=8



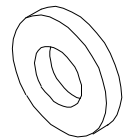
P=8



U=2

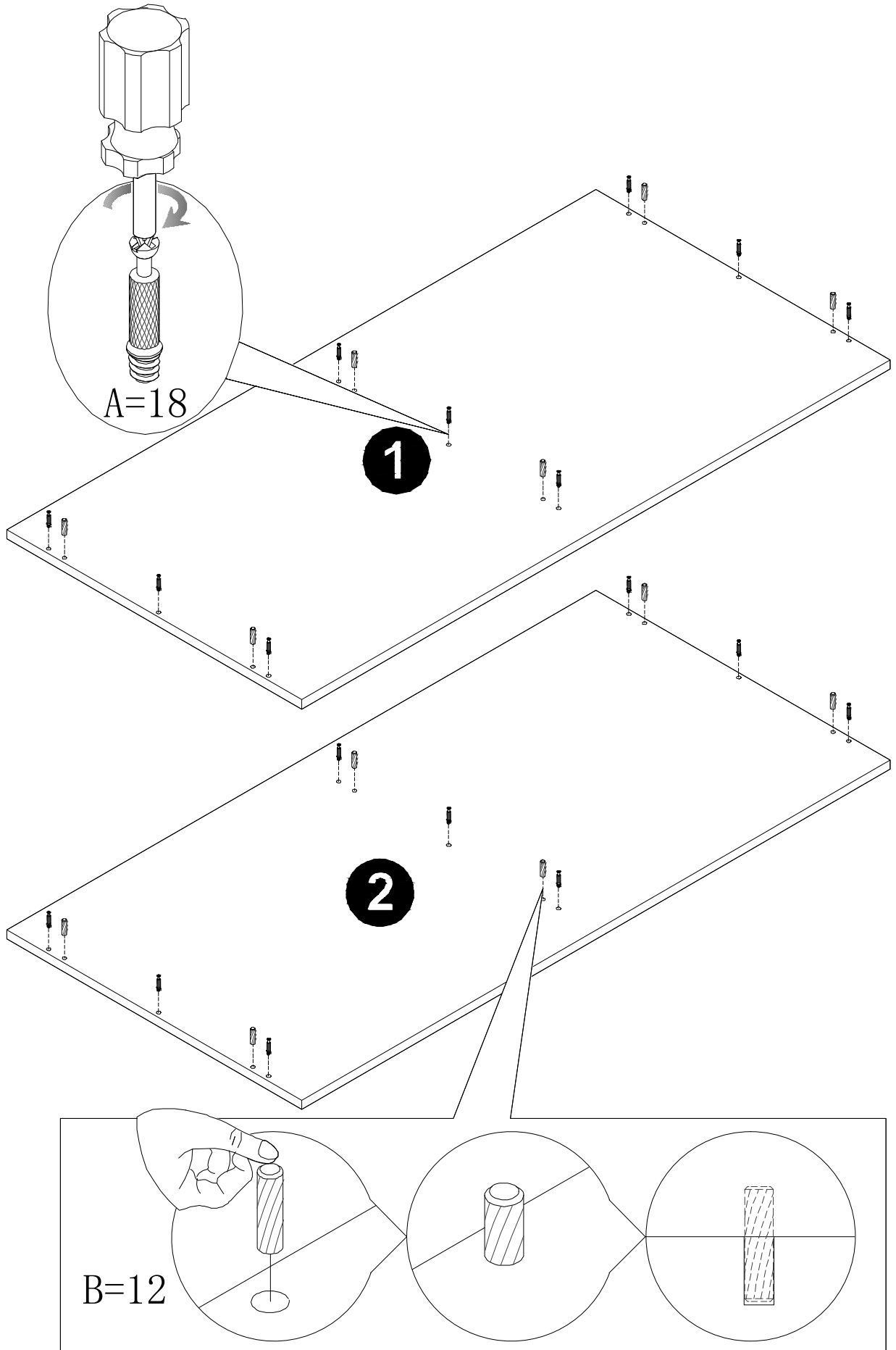


Z1=6

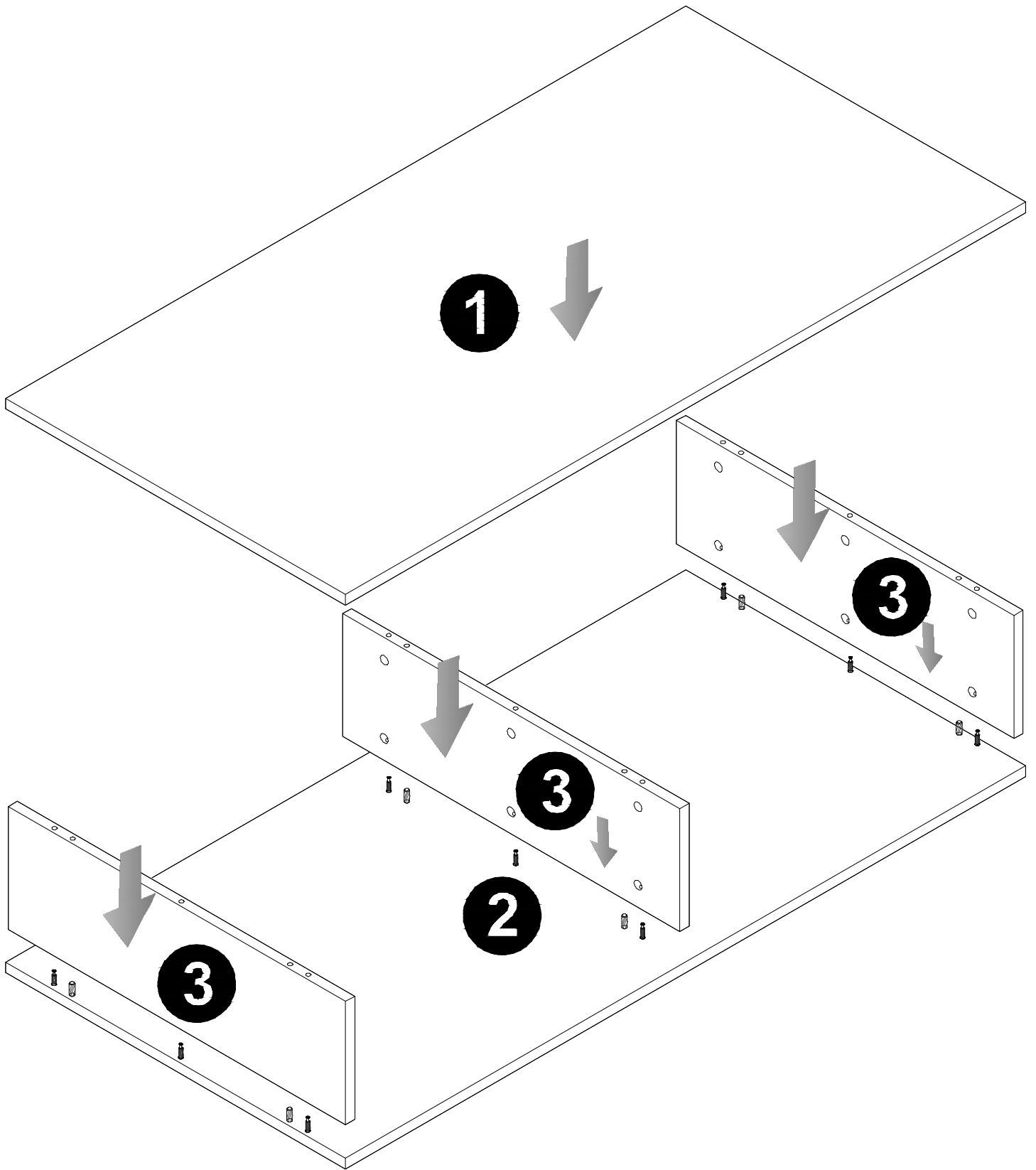


Z2=6

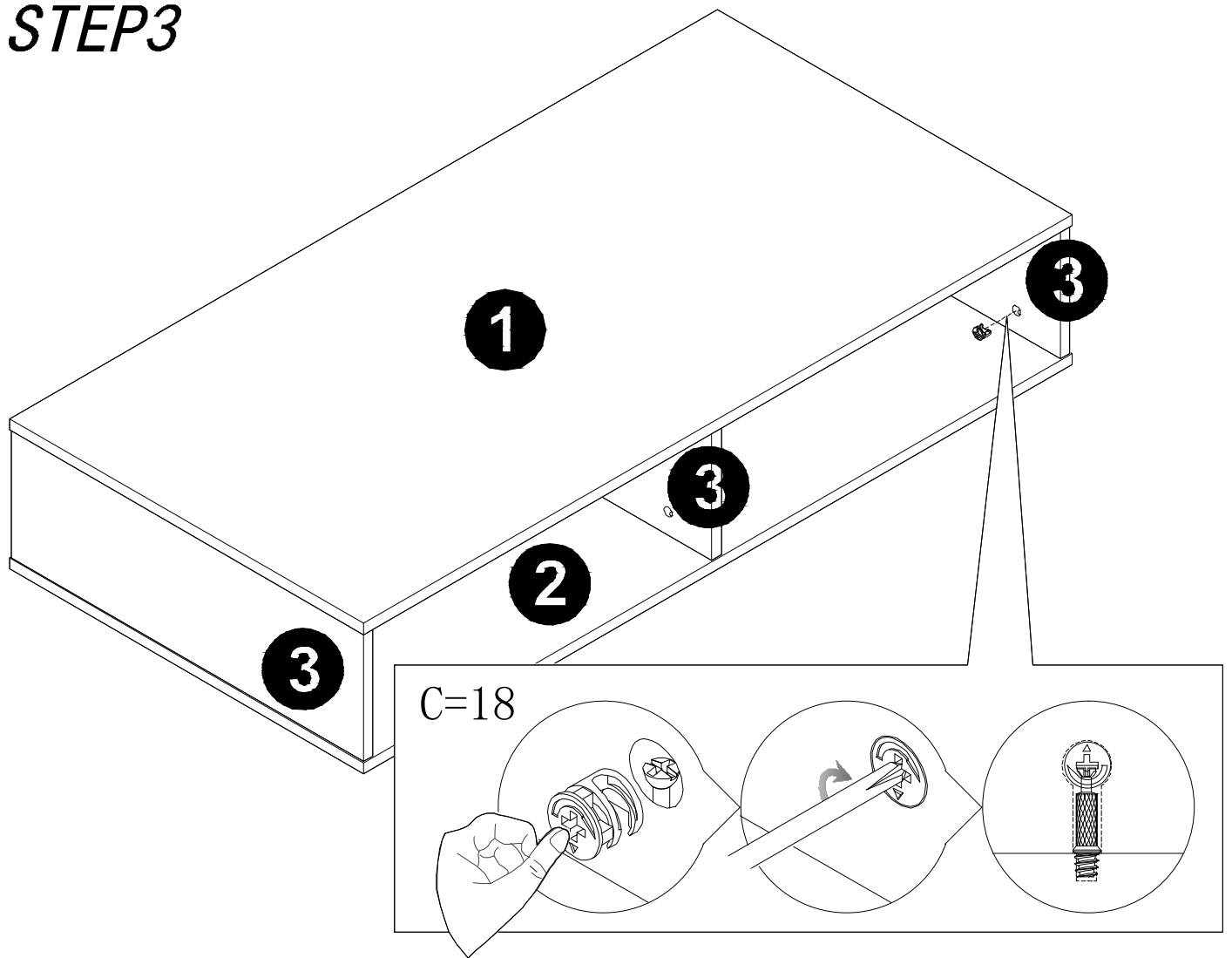
STEP 1



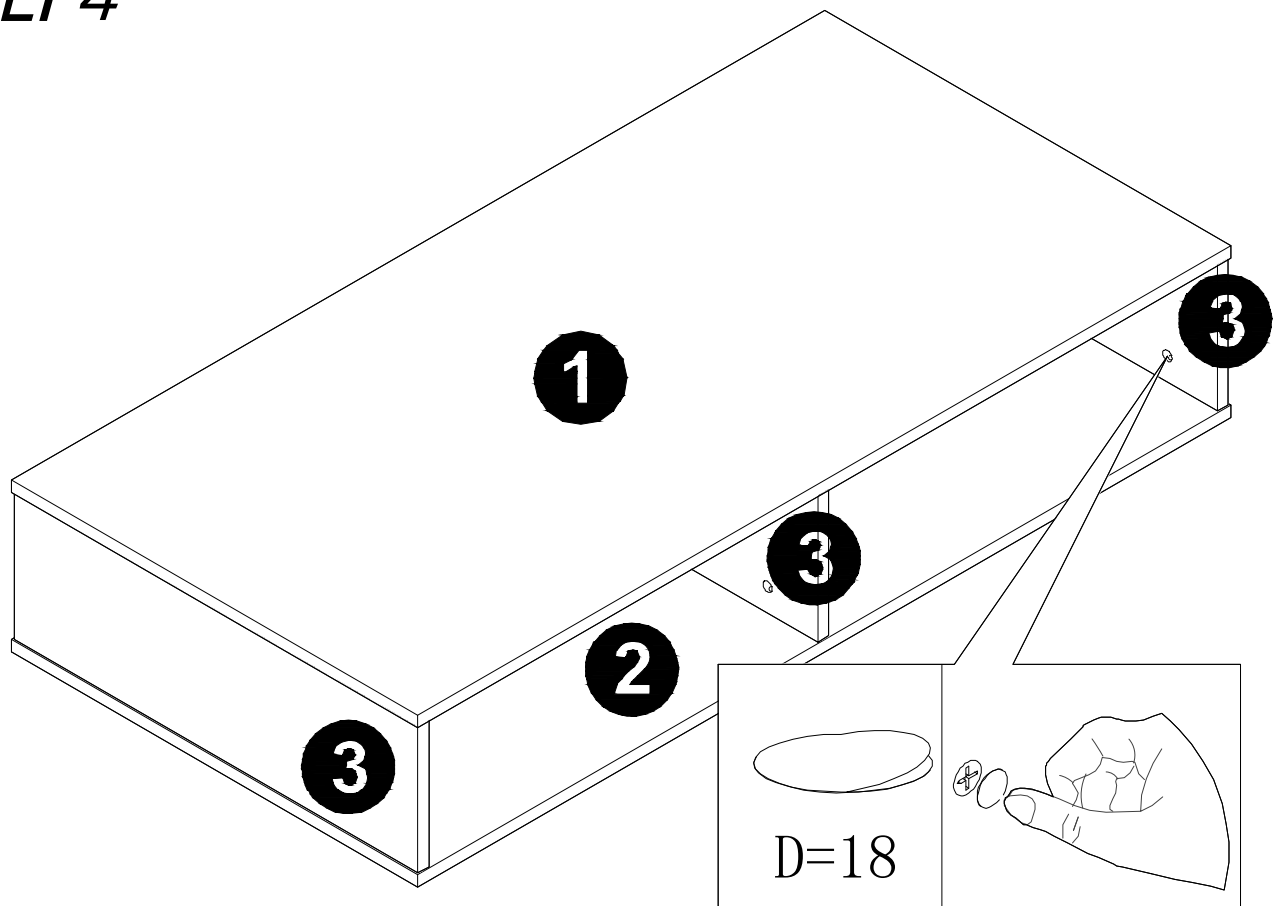
STEP 2



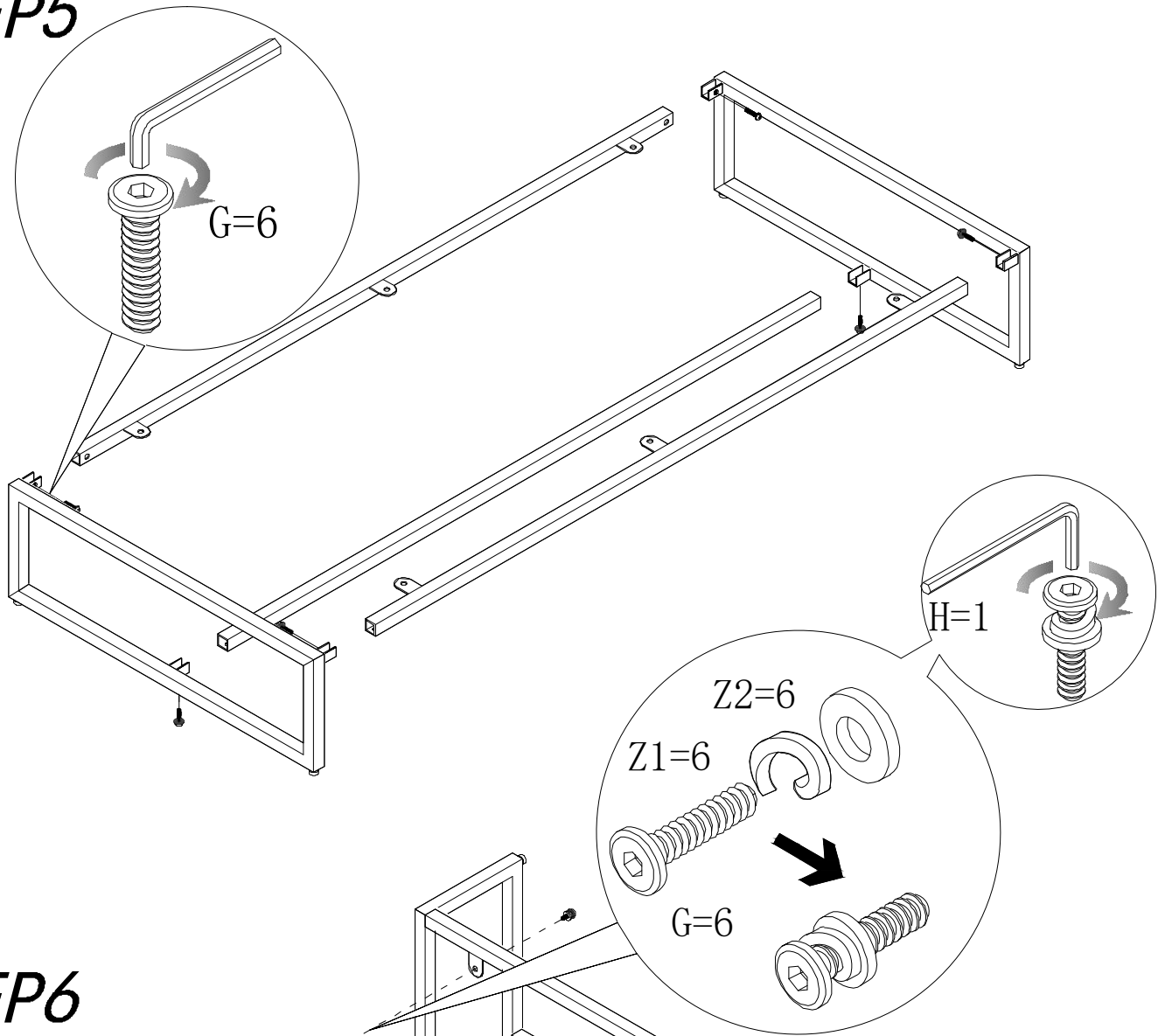
STEP3



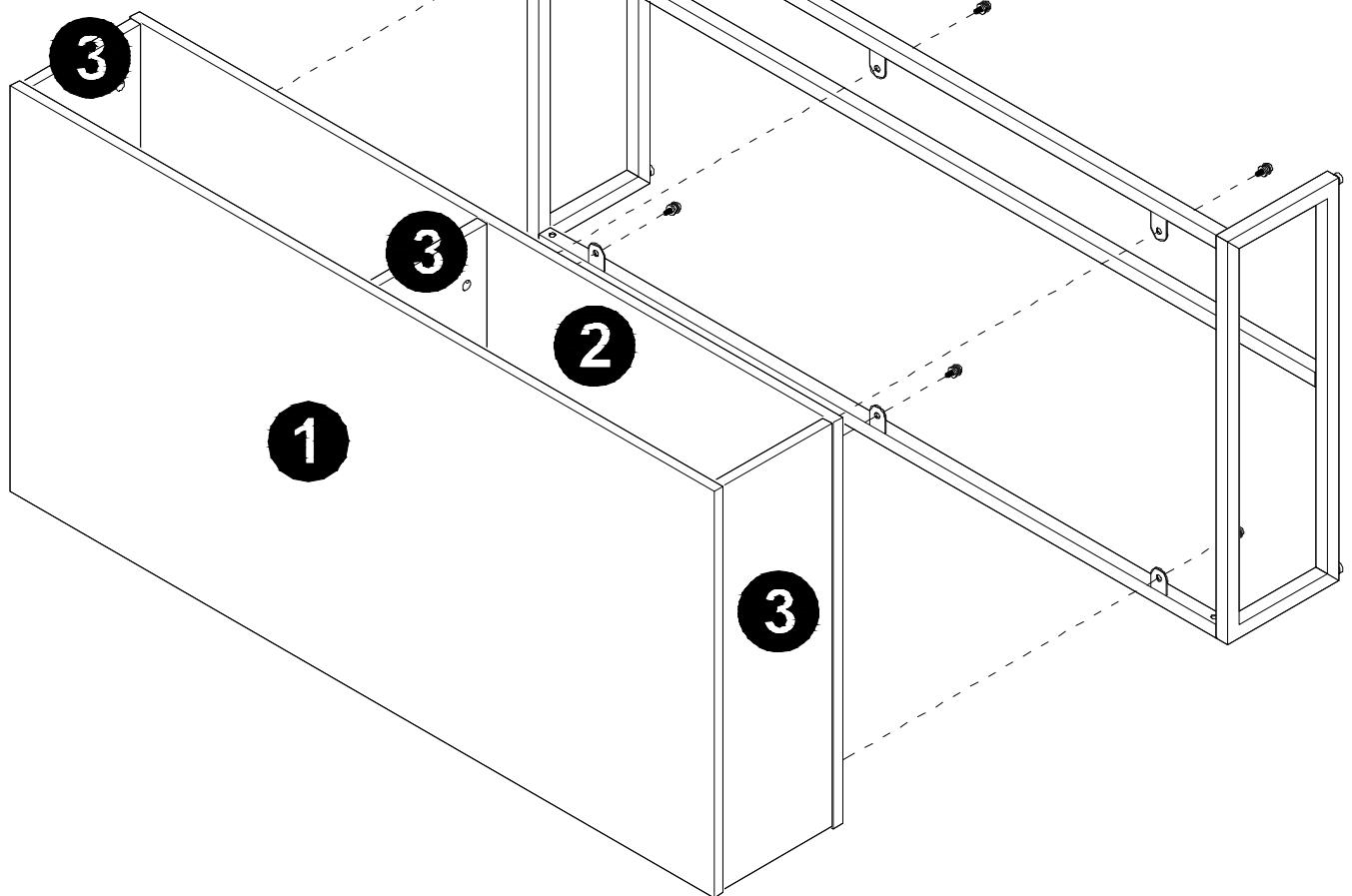
STEP4



STEP 5

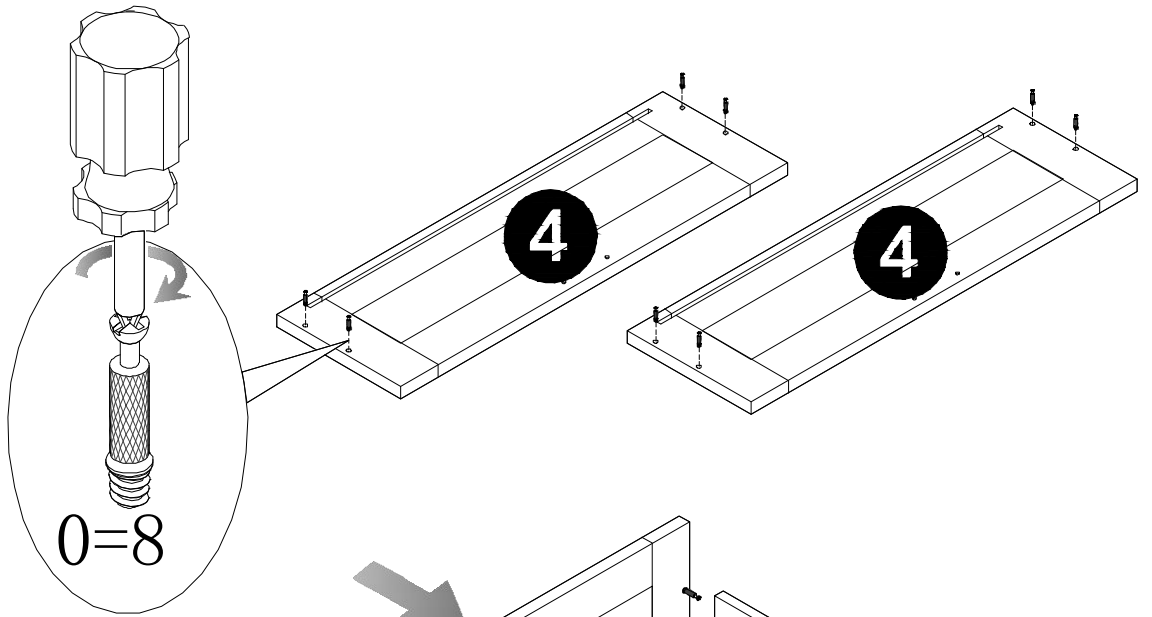


STEP 6

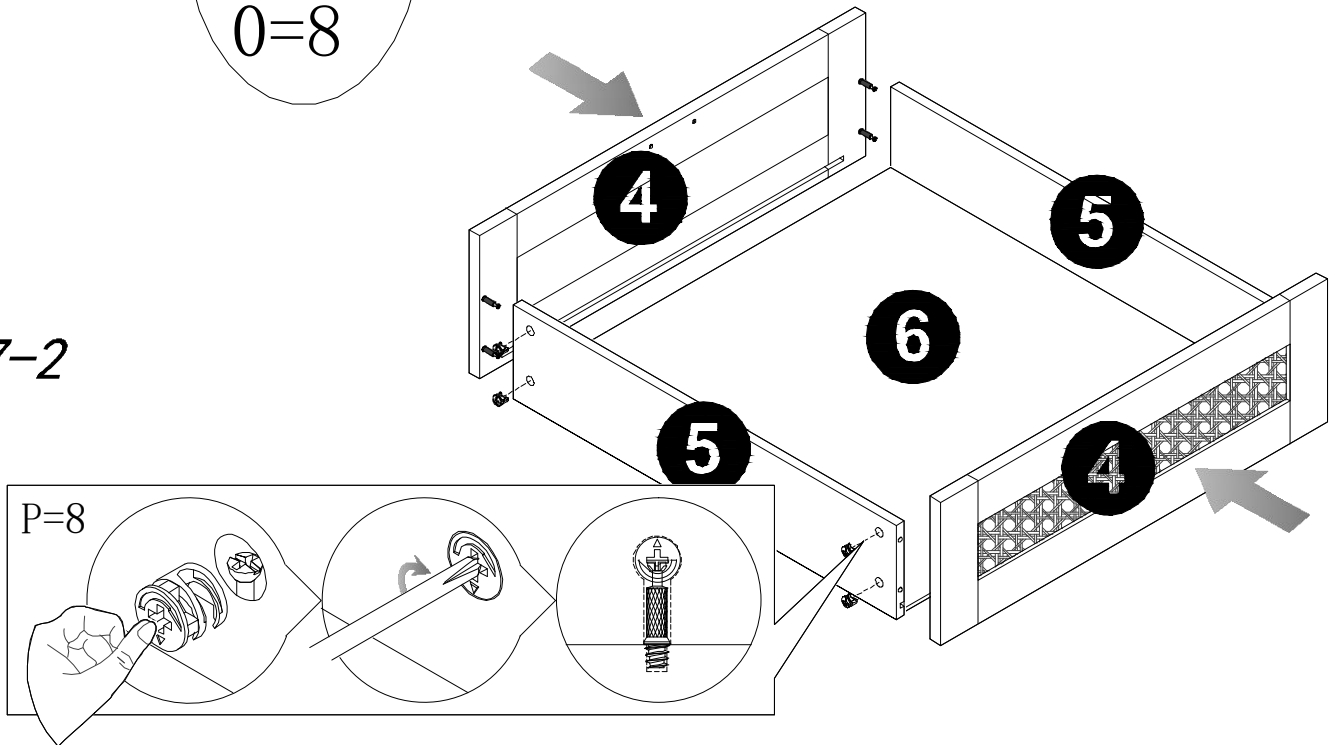


STEP 7

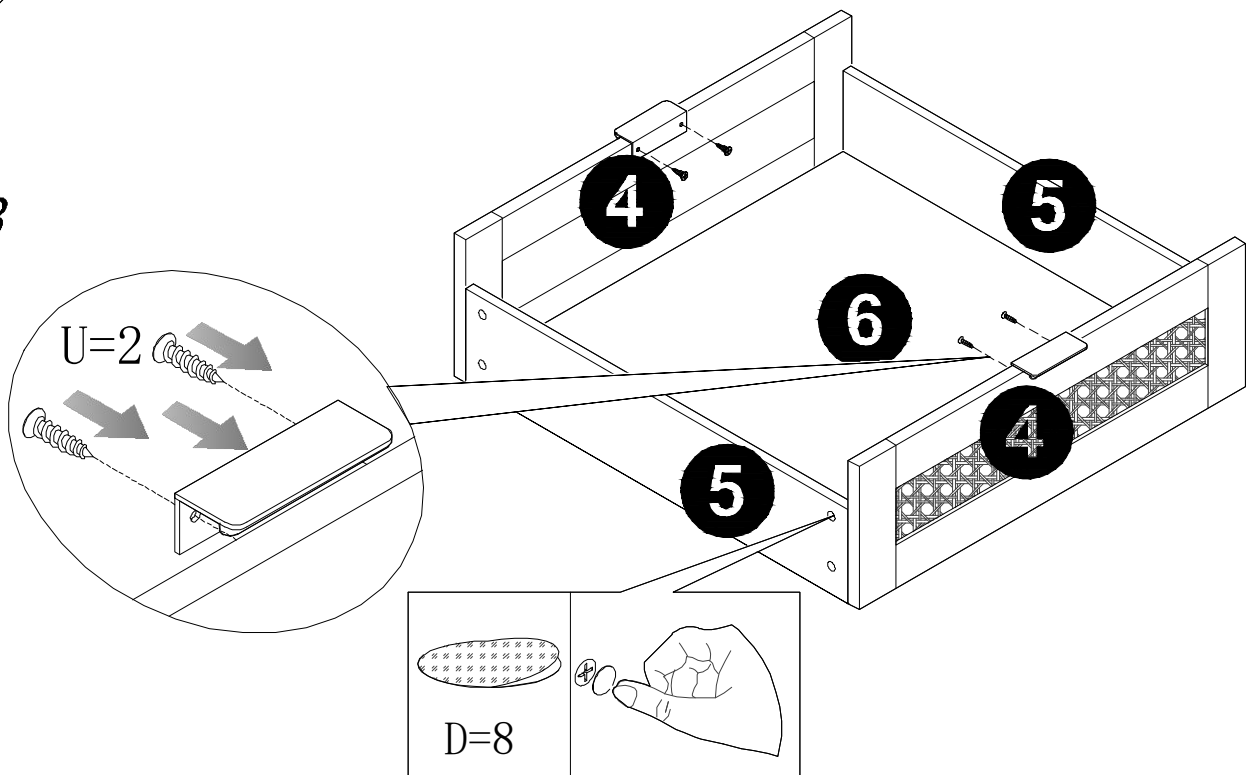
7-1



7-2



7-3



STEP 8

