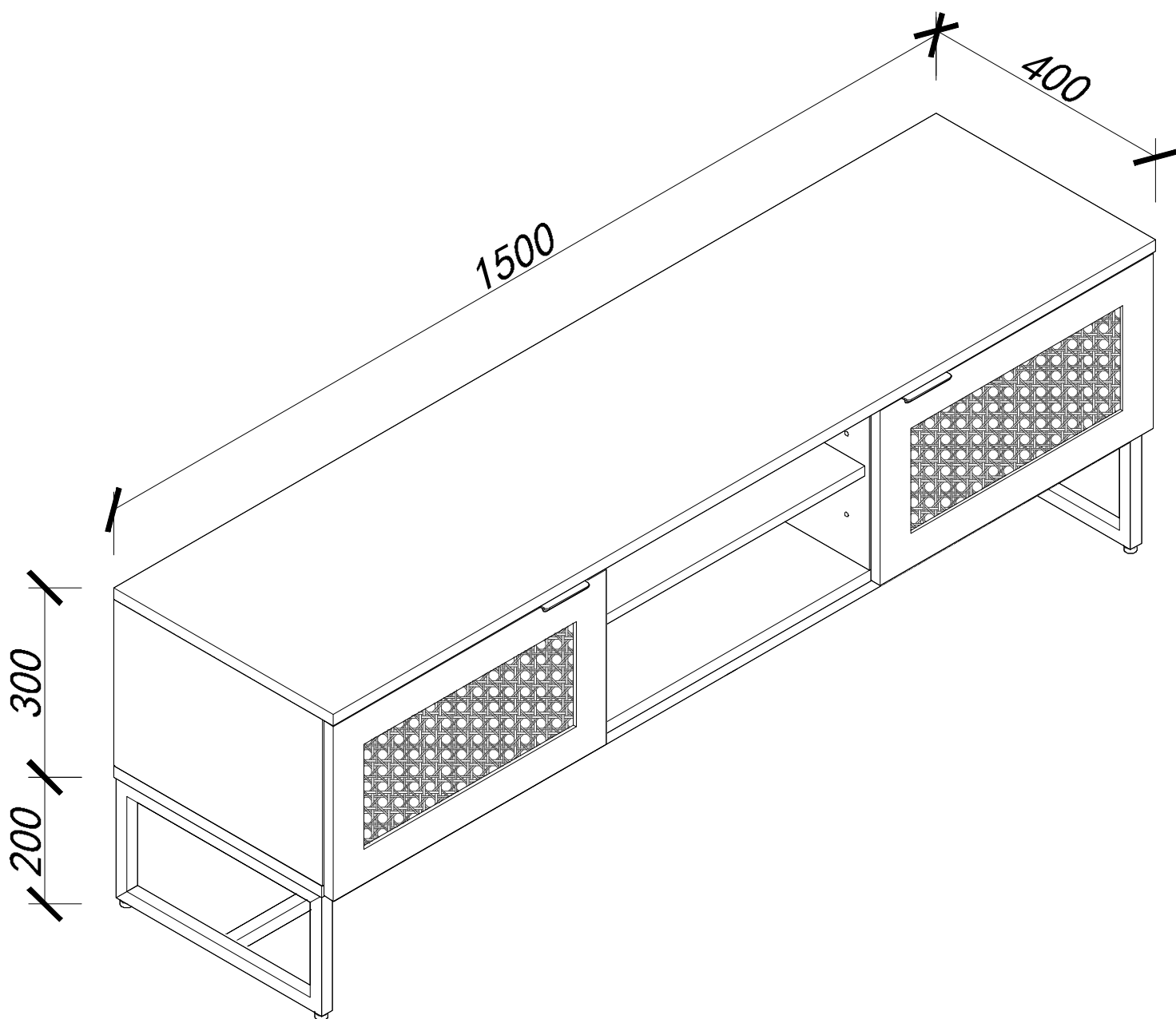
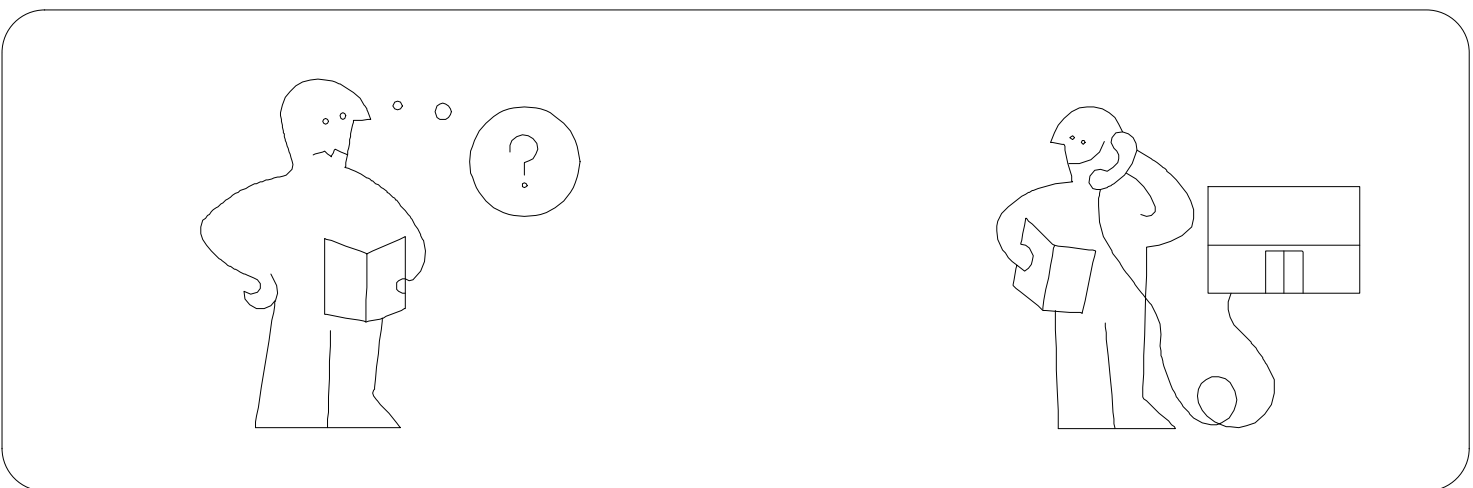
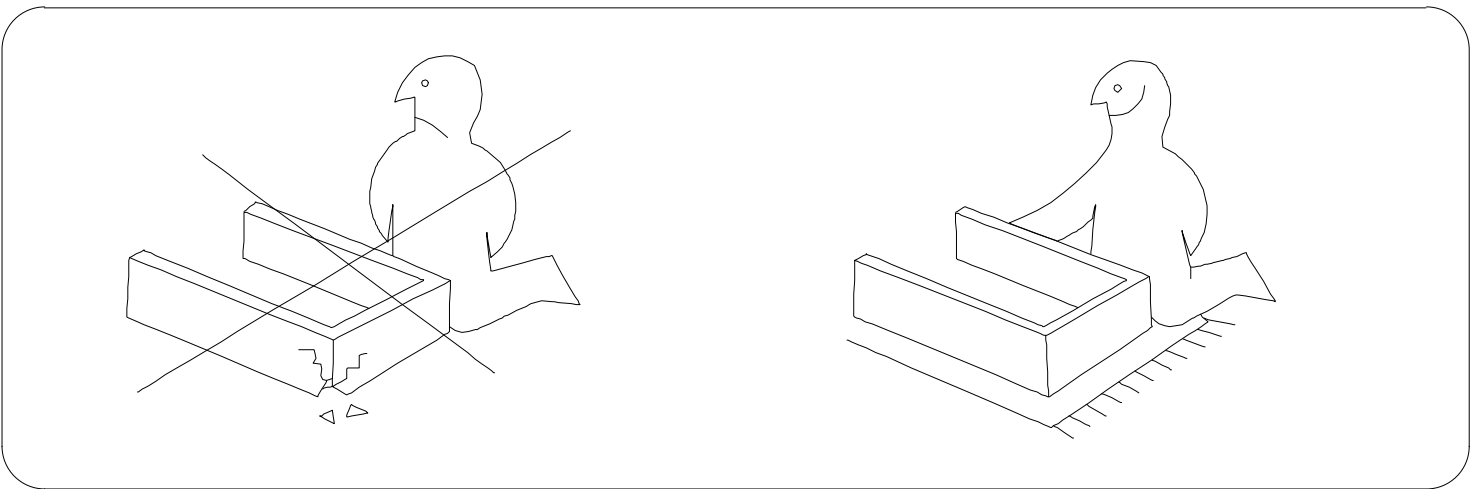
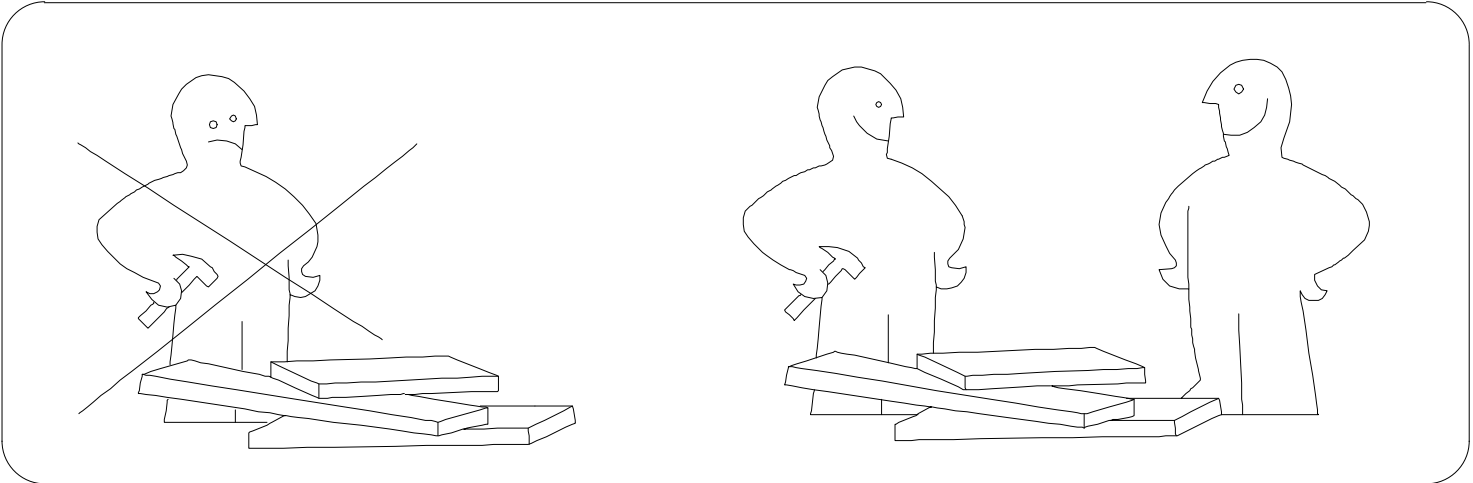
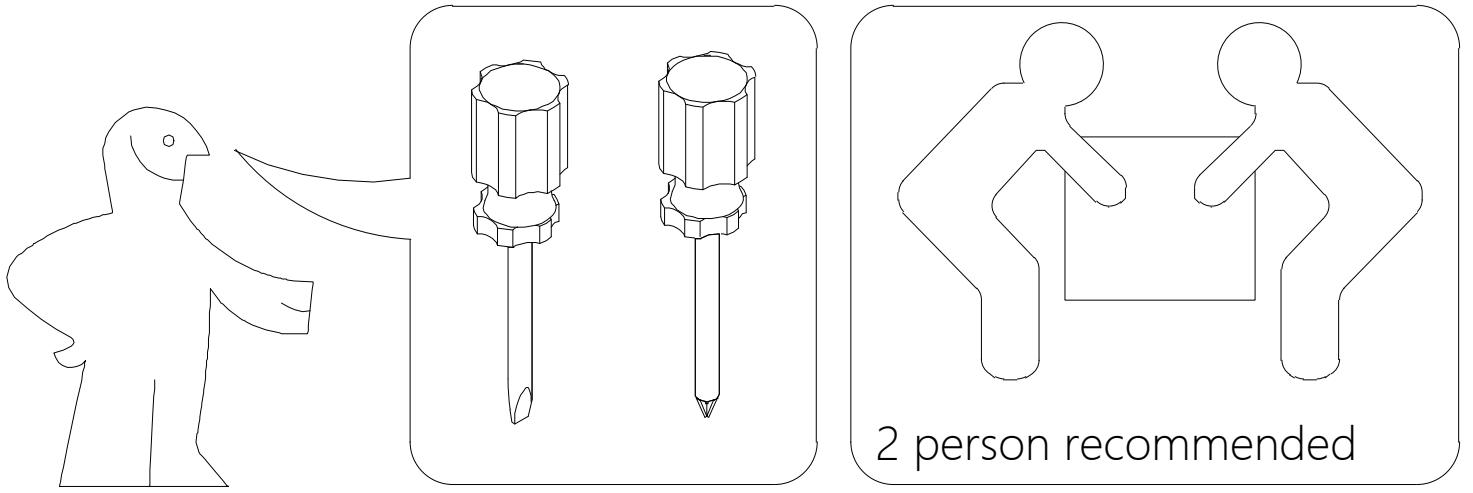


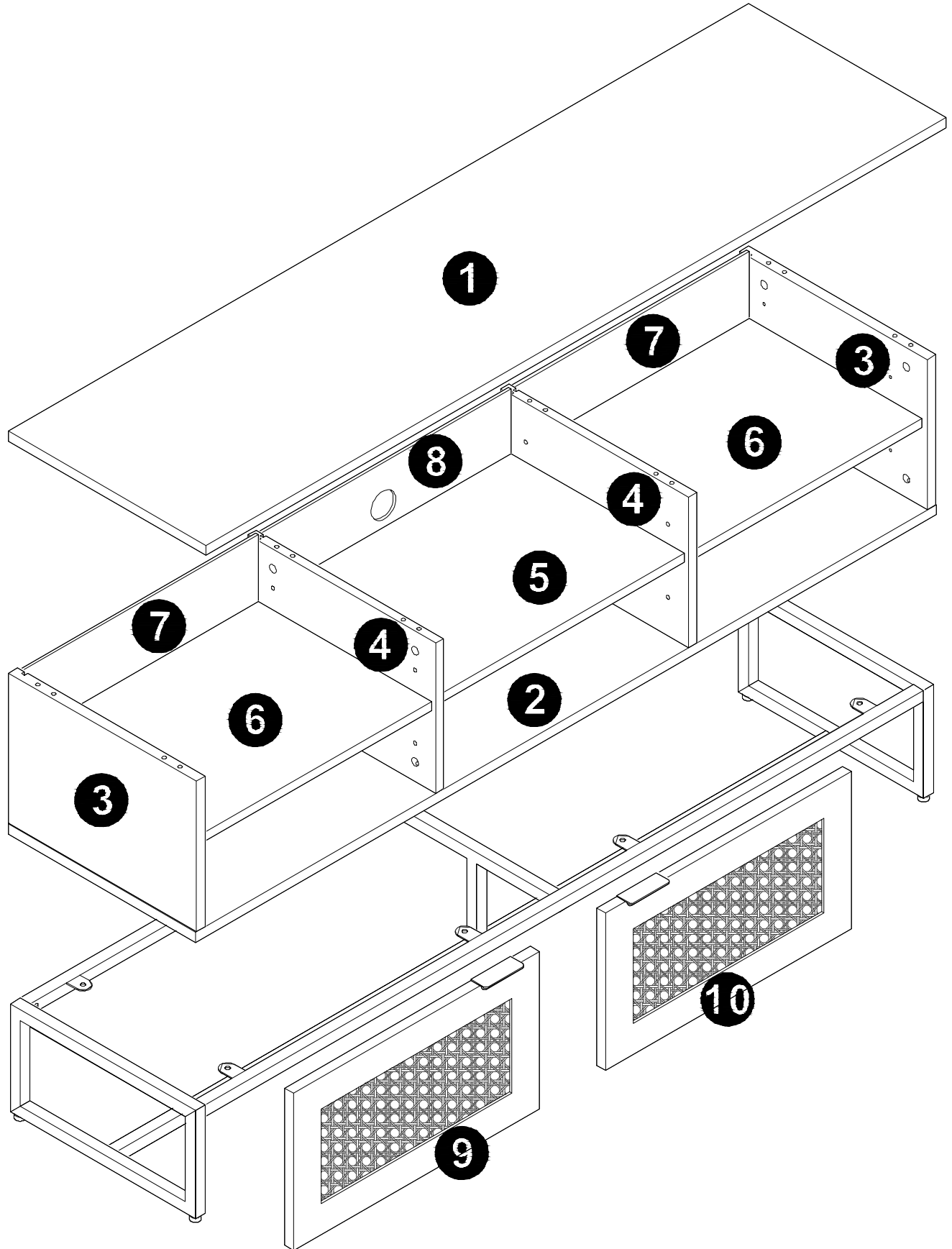
# Assembly Instruction





| Panel No | Panel Sizes | Quantity |
|----------|-------------|----------|
| 1        | 1500*400*16 | 1        |
| 2        | 1500*382*16 | 1        |
| 3        | 268*381*16  | 2        |
| 4        | 268*381*16  | 2        |
| 5        | 493*350*16  | 1        |

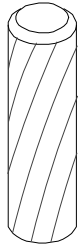
| Panel No | Panel Sizes | Quantity |
|----------|-------------|----------|
| 6        | 466*350*16  | 2        |
| 7        | 479*278*5   | 2        |
| 8        | 506*278*5   | 1        |
| 9        | 279*497*16  | 1        |
| 10       | 279*497*16  | 1        |



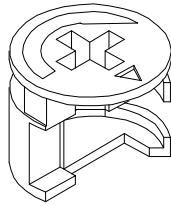
# Fittings



A=16



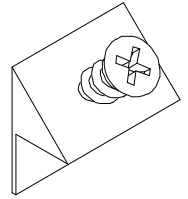
B=16



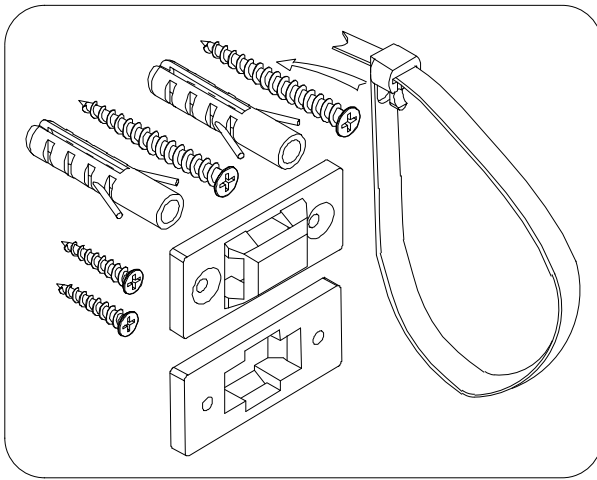
C=16



D=16



E=12

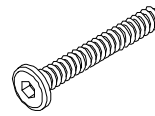


F=1



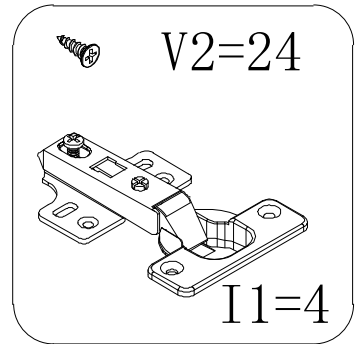
M6\*16

G1=16



M6\*30

G2=1

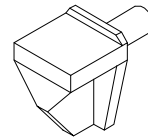


V2=24

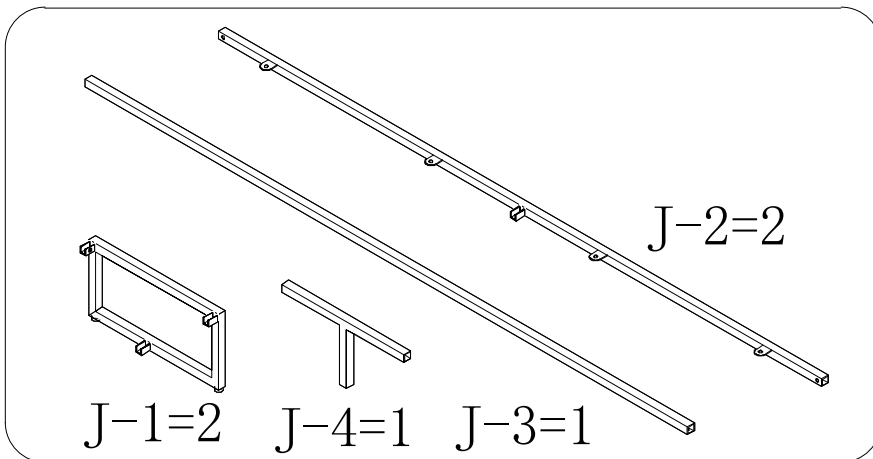
I1=4



H=1



L=12

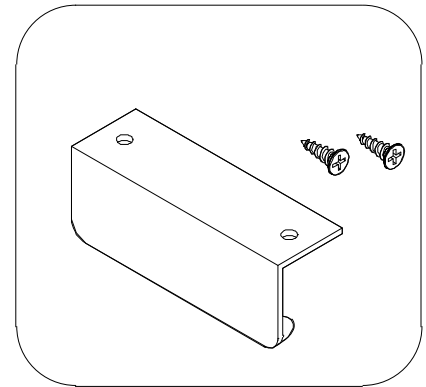


J-2=2

J-1=2

J-4=1

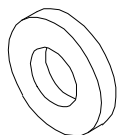
J-3=1



U=2

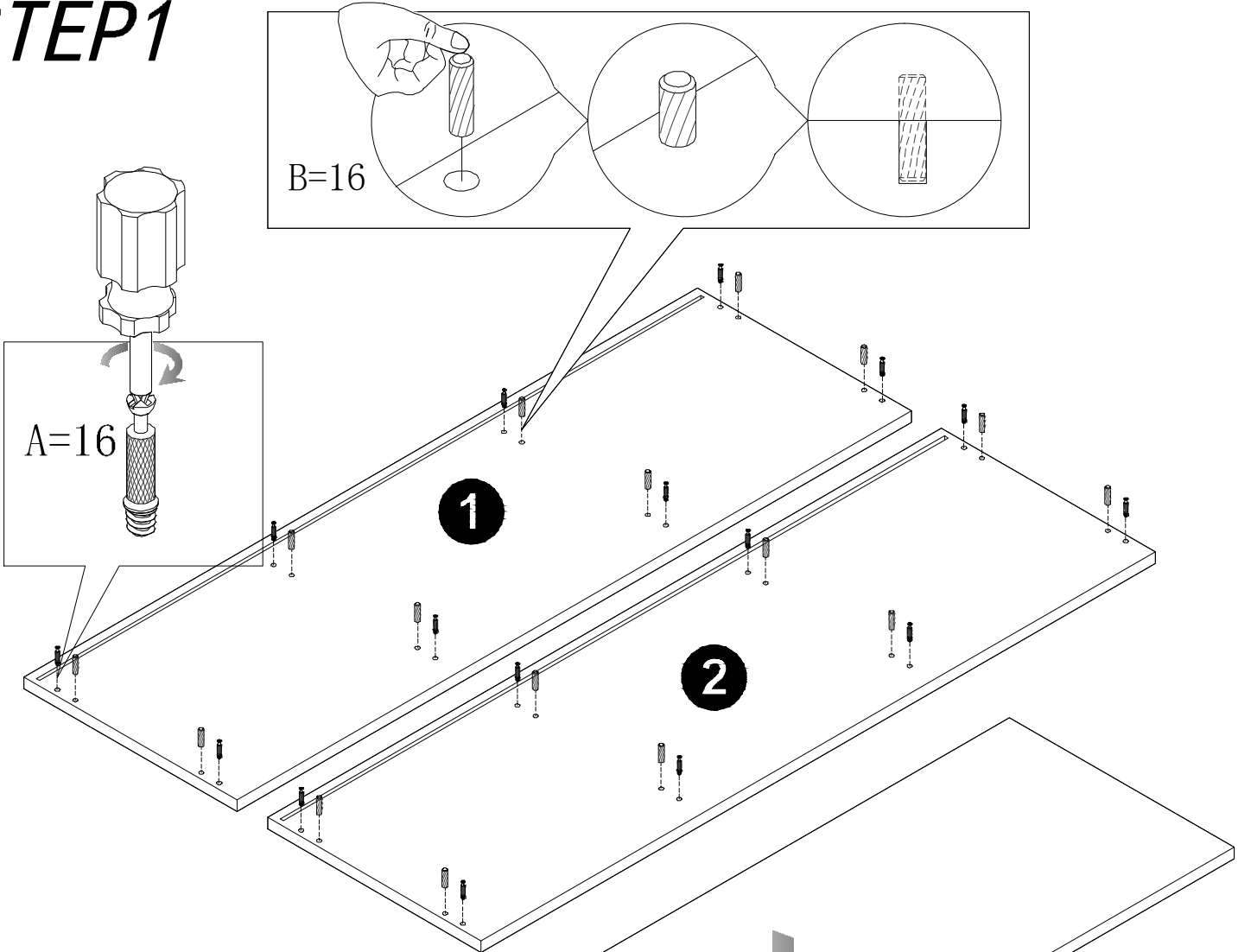


Z1=8

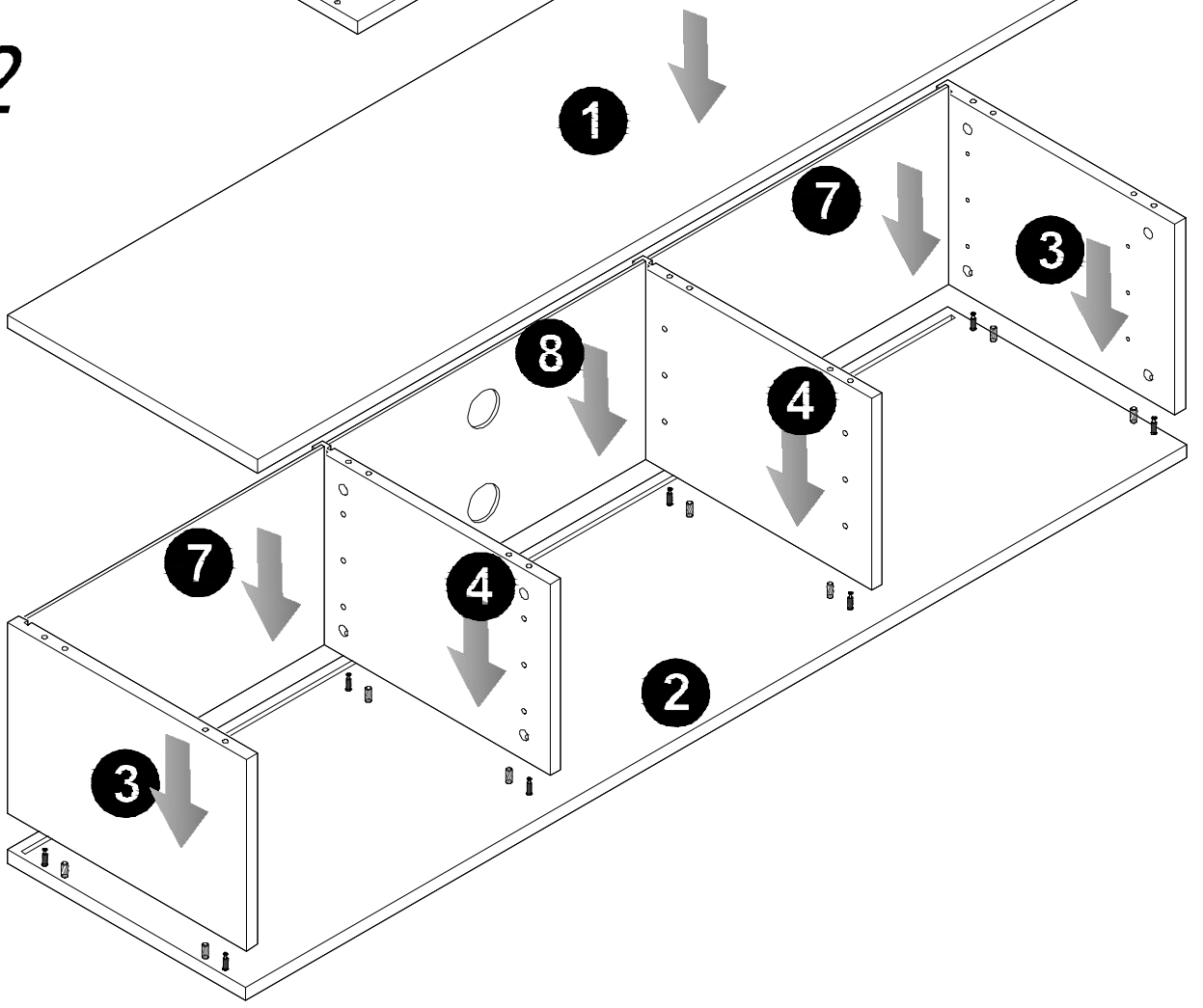


Z2=8

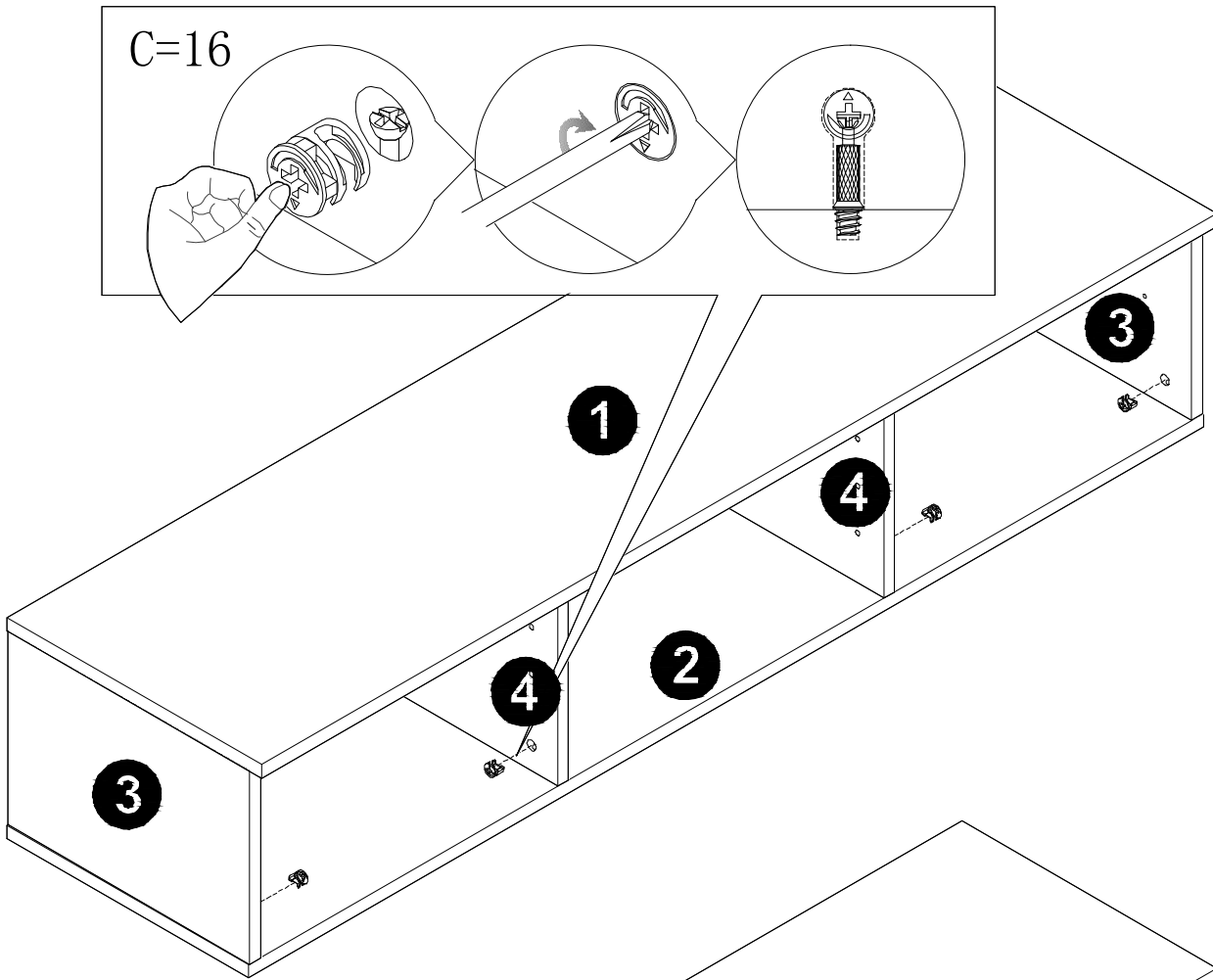
# STEP 1



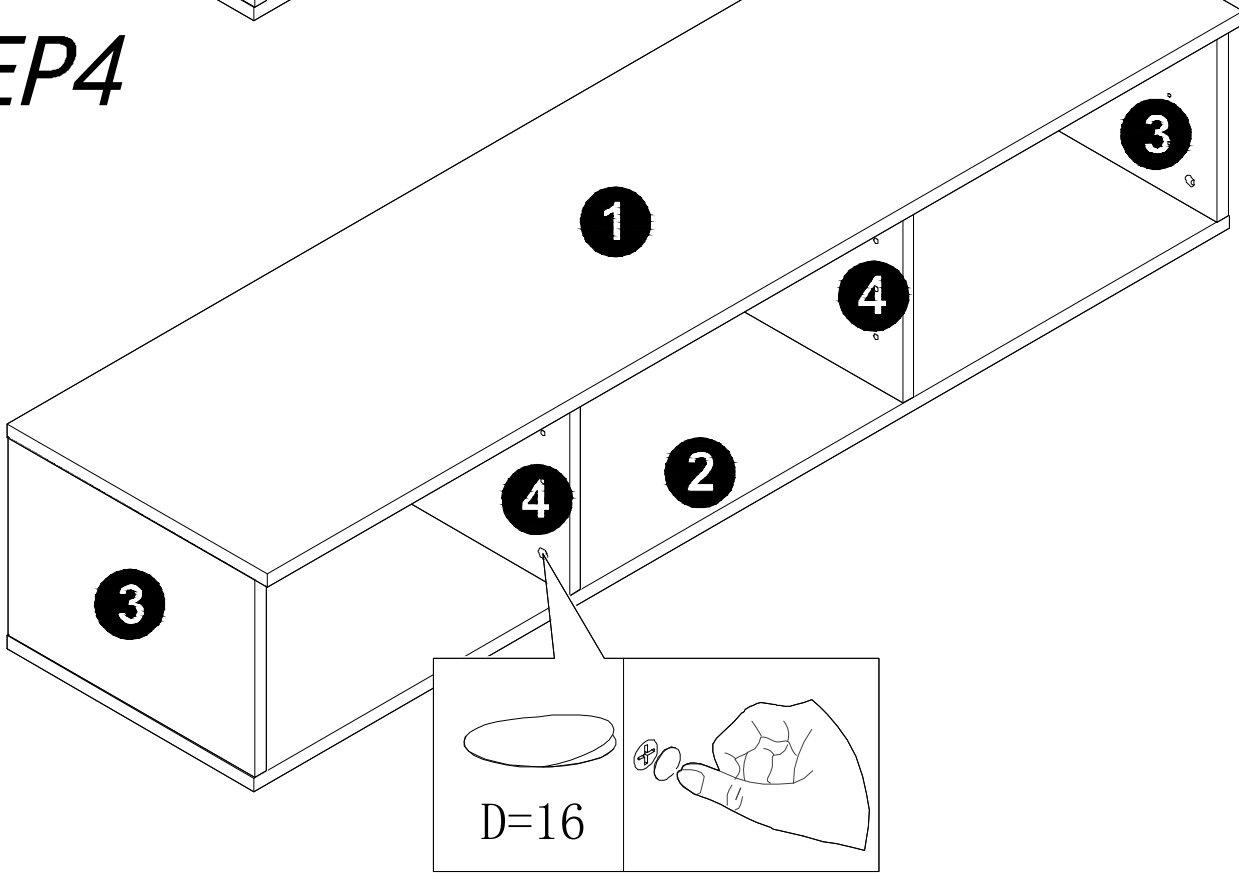
# STEP 2



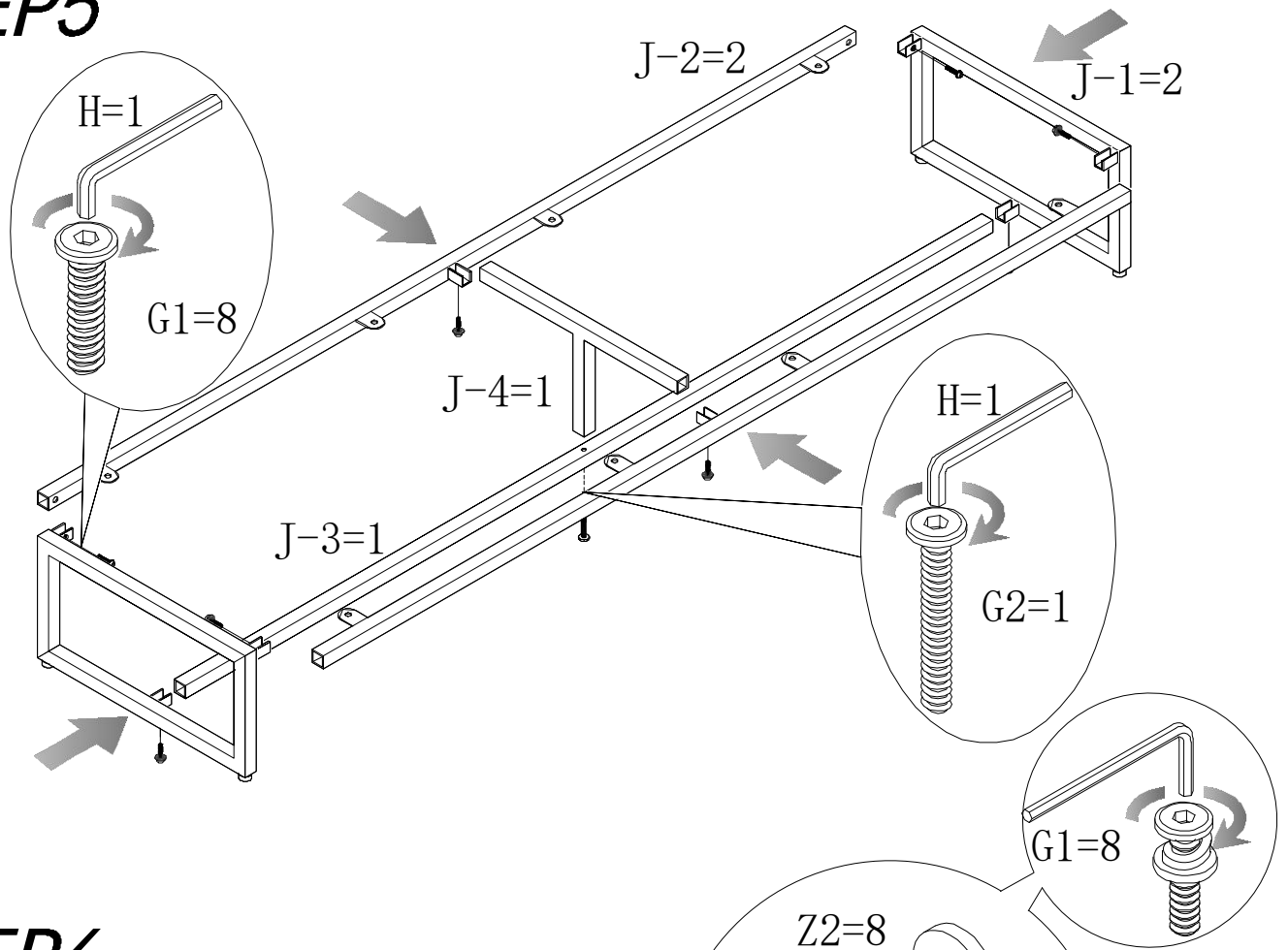
# STEP 3



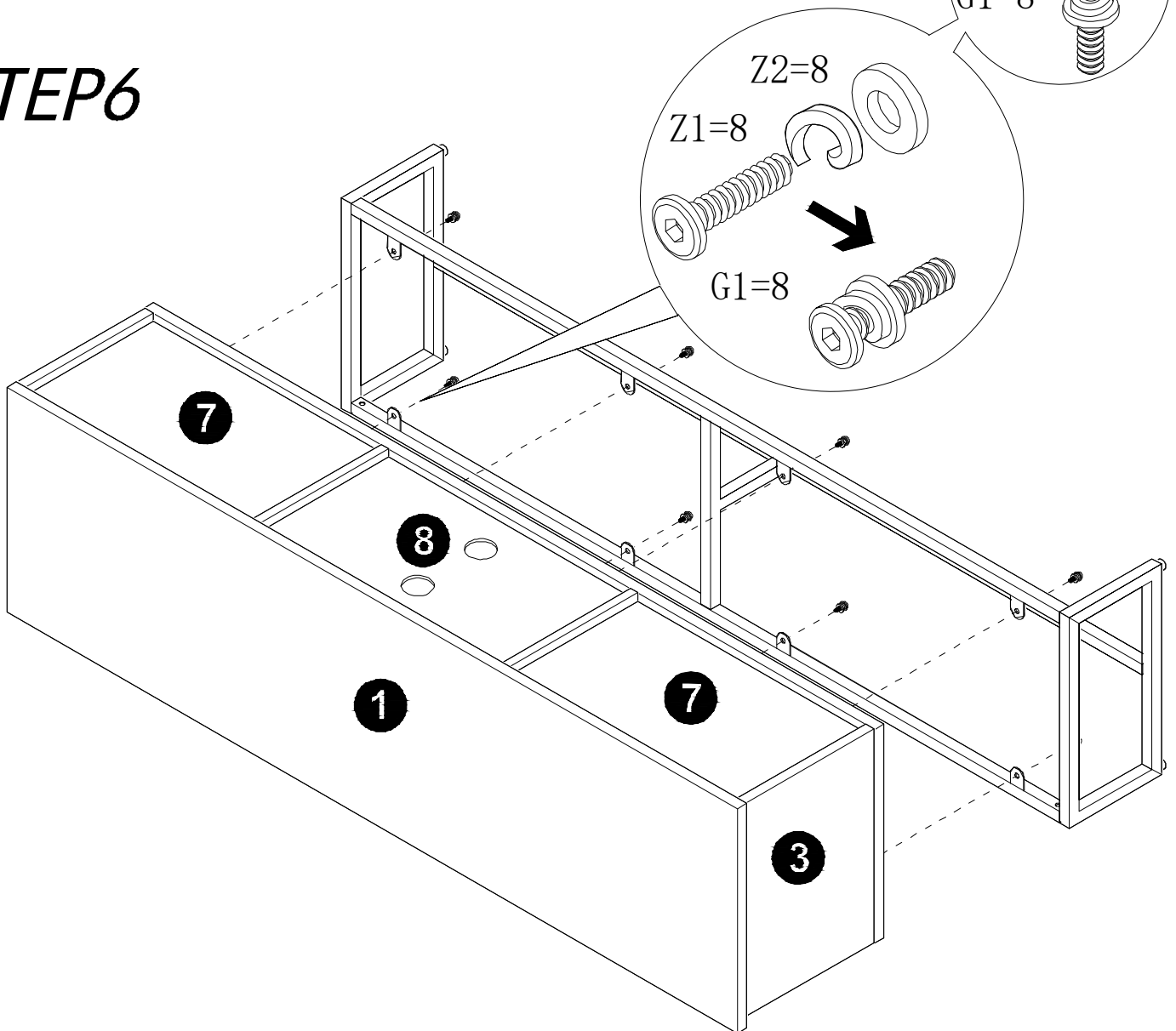
# STEP 4



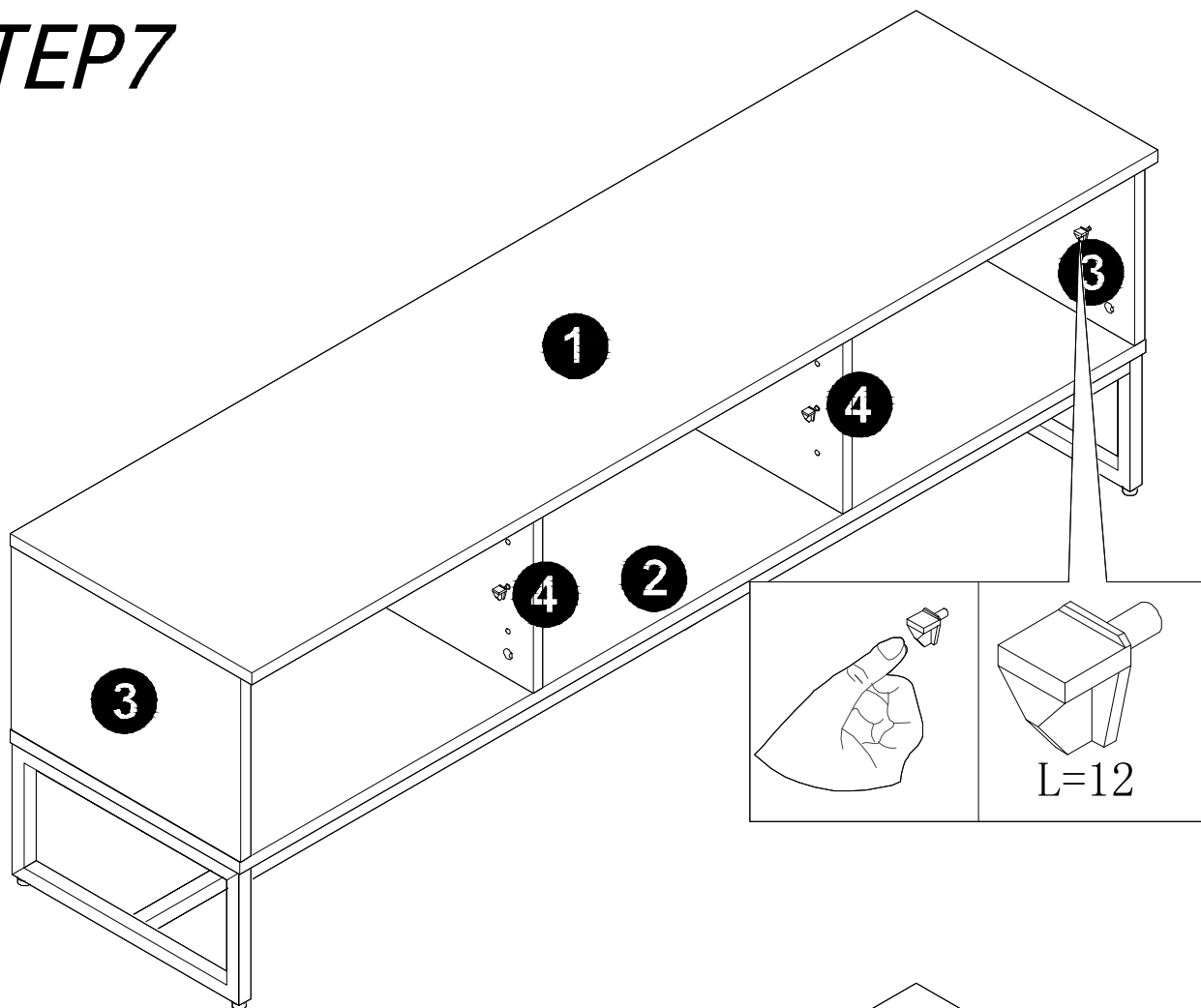
# STEP 5



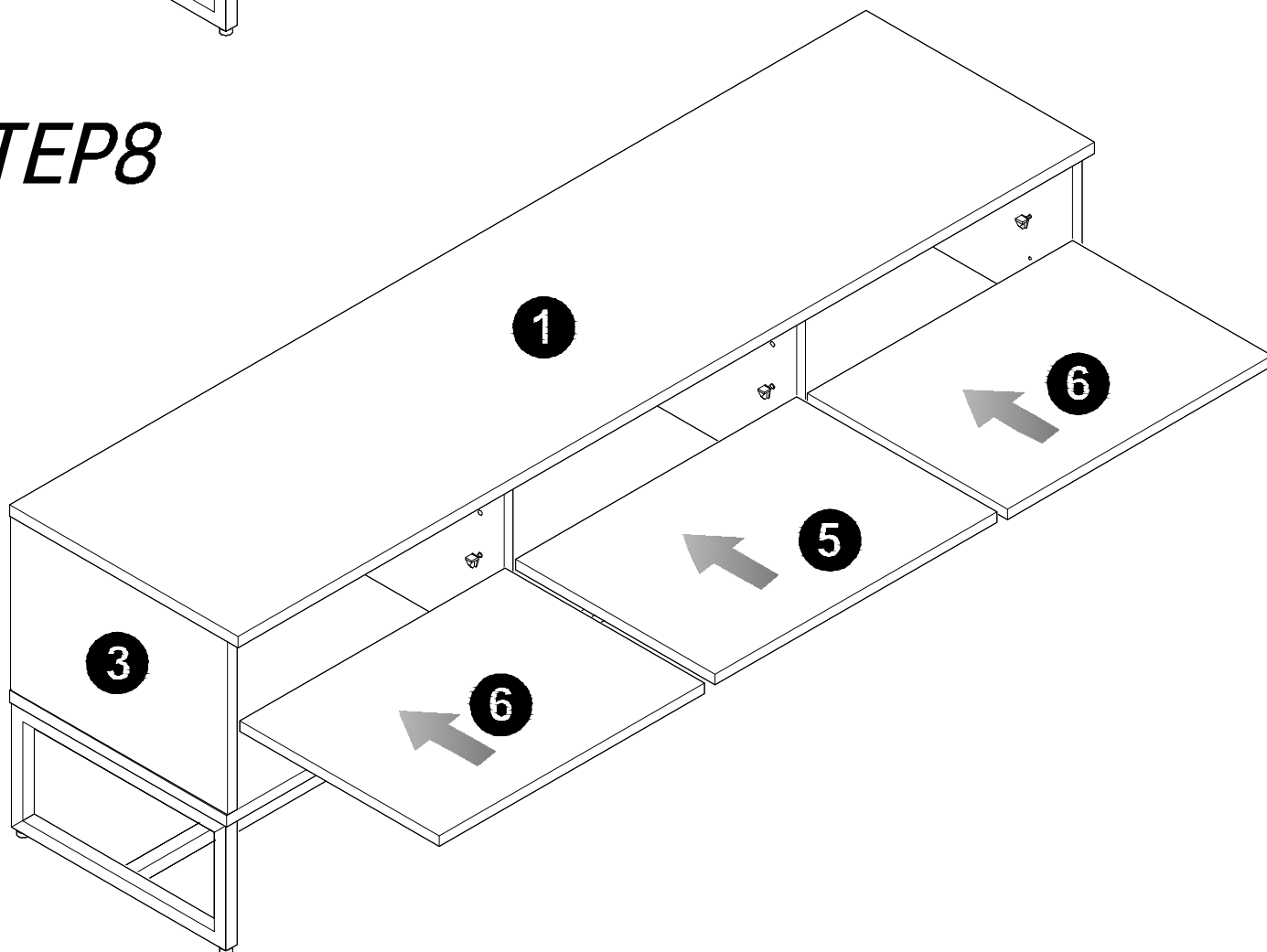
# STEP 6



# STEP 7

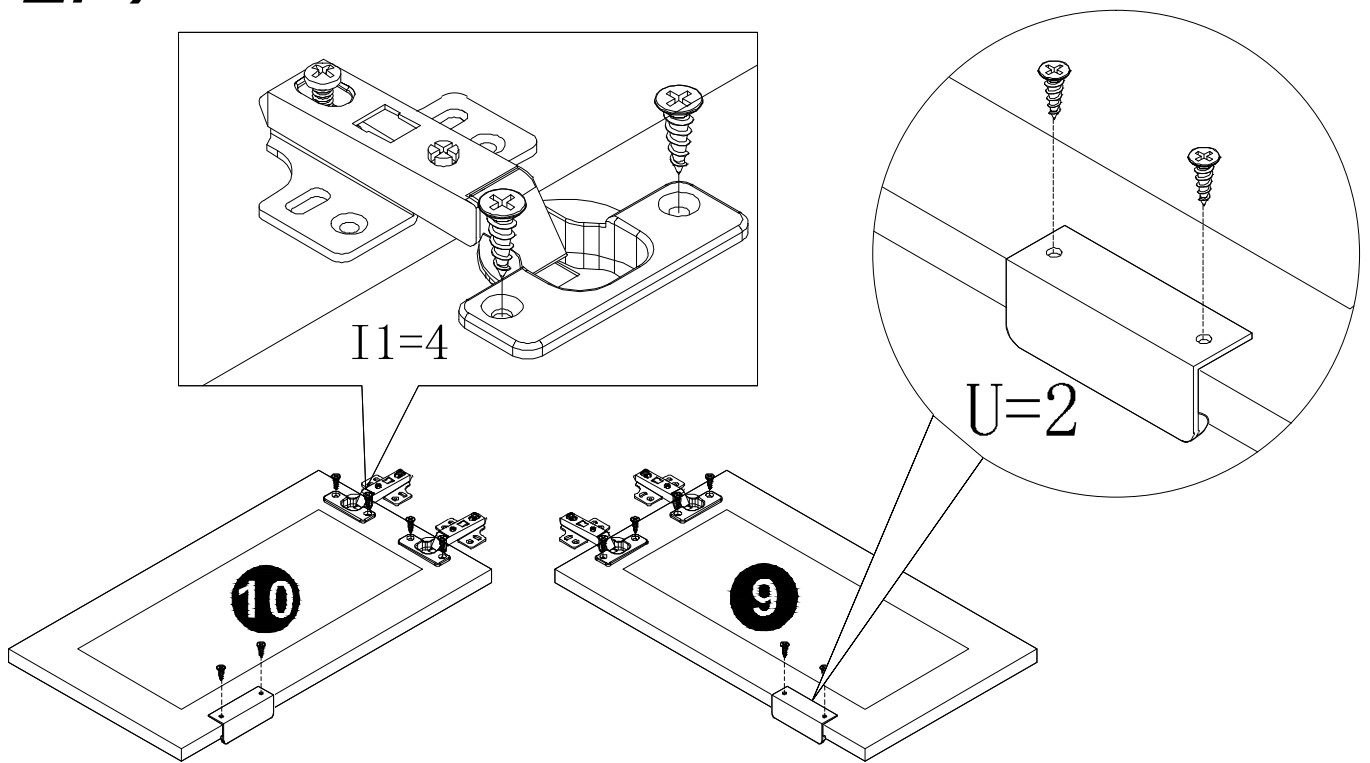


# STEP 8

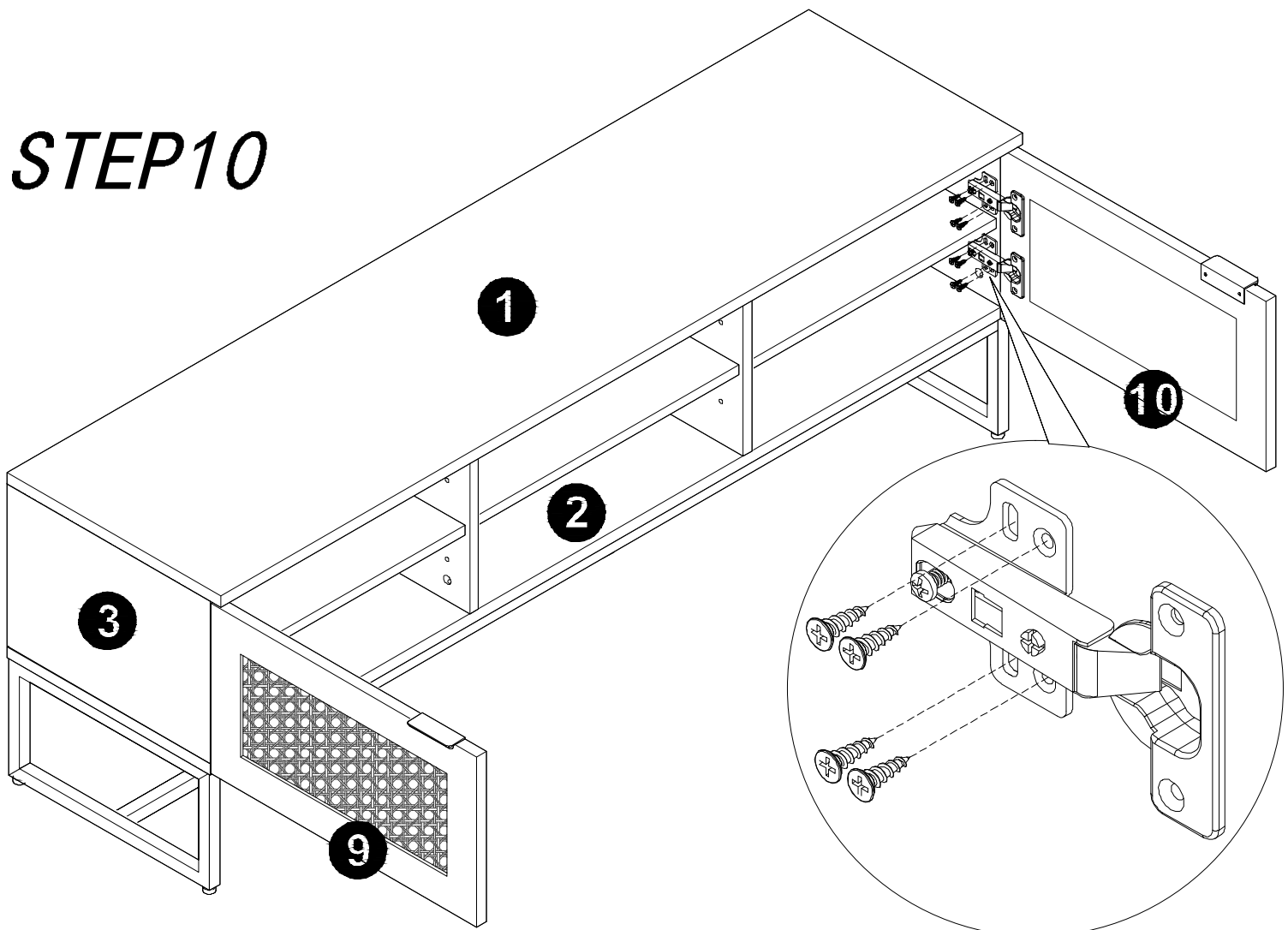




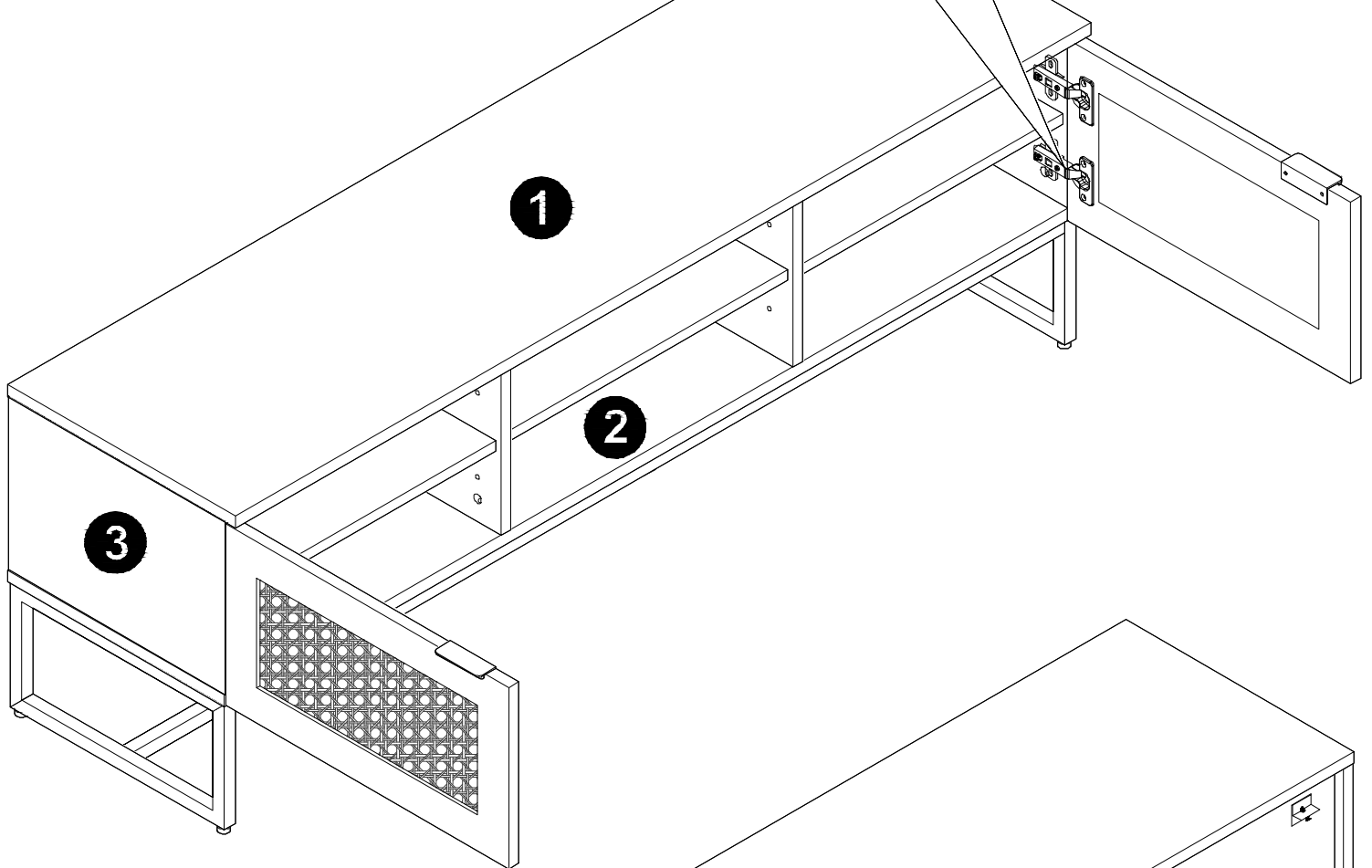
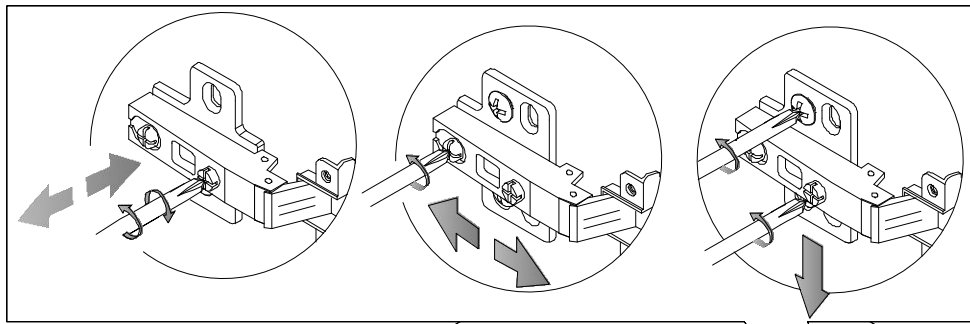
# STEP 9



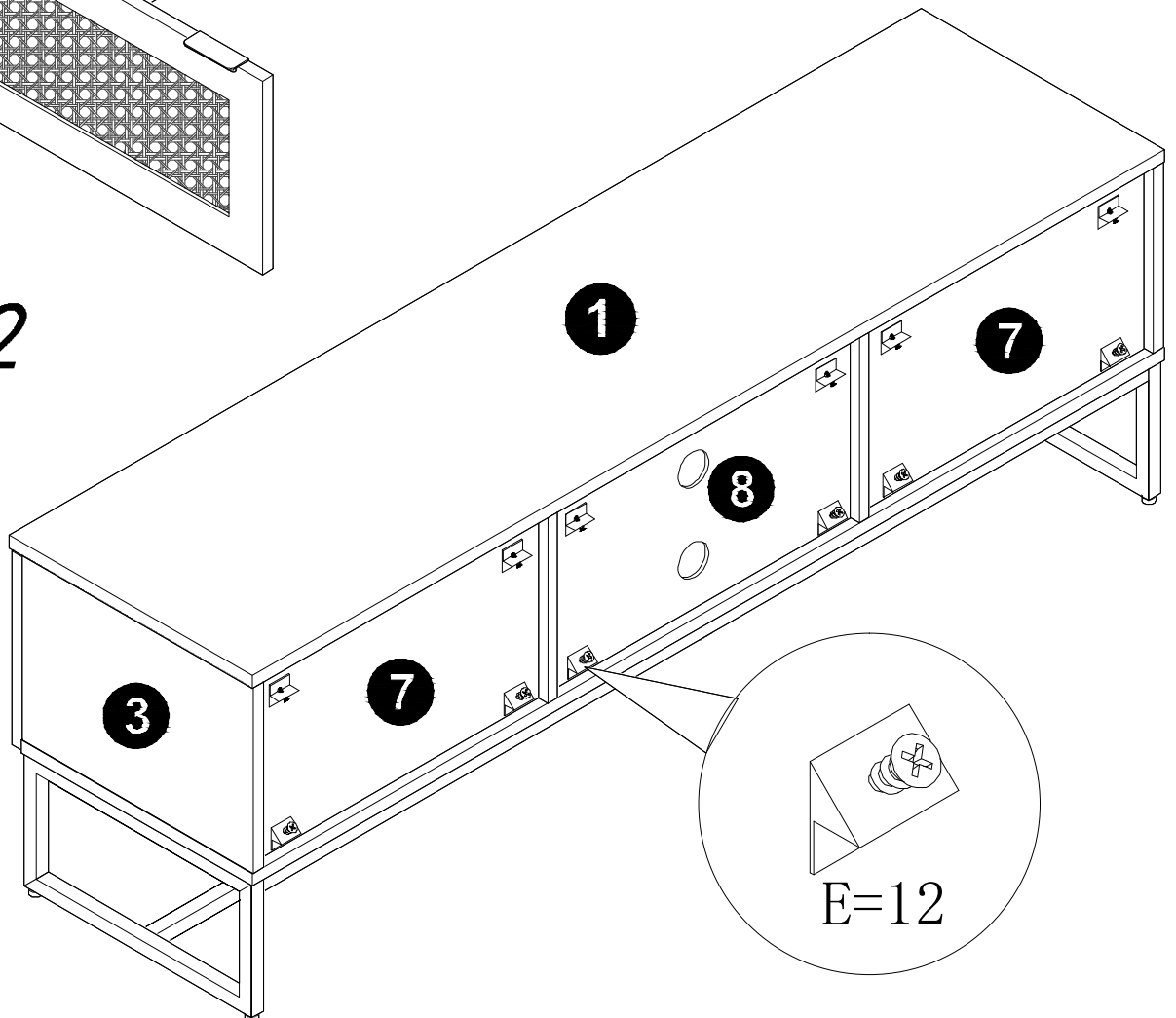
# STEP 10



# STEP 11



# STEP 12



# STEP 13

