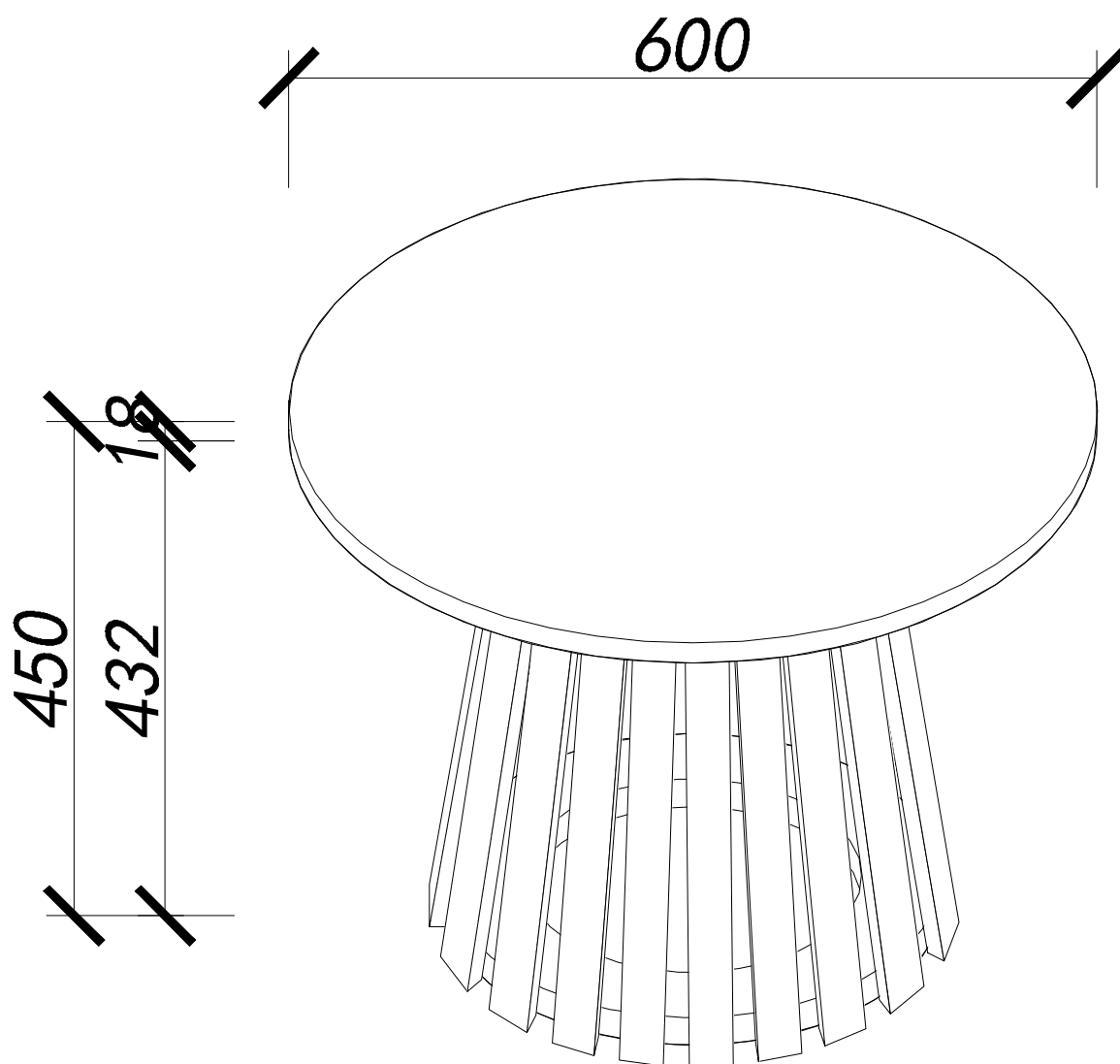
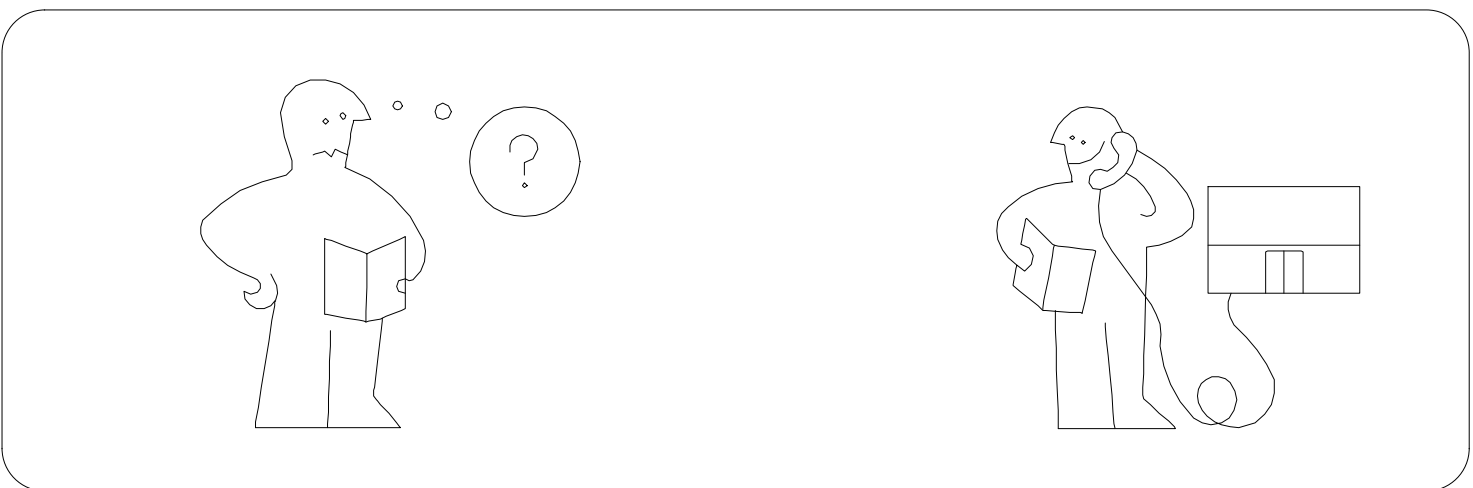
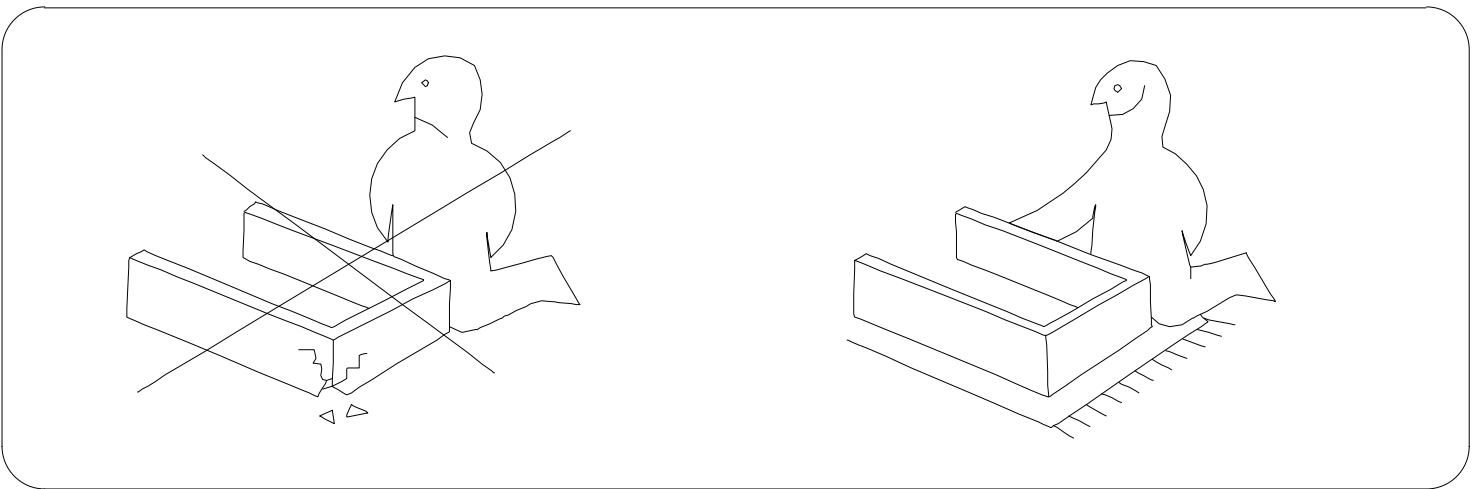
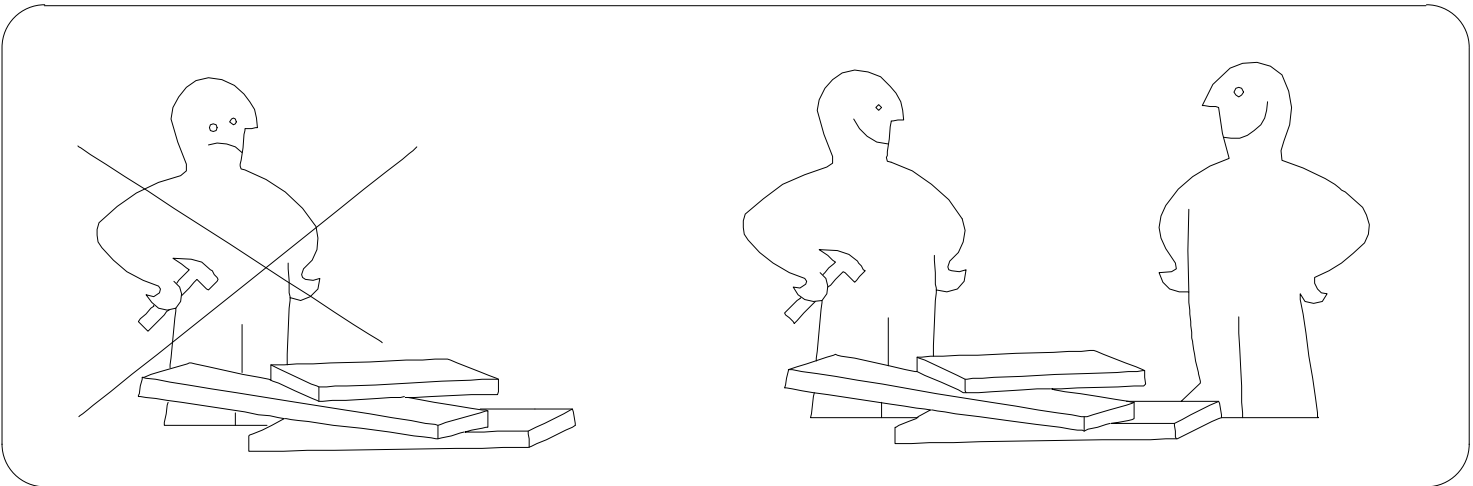
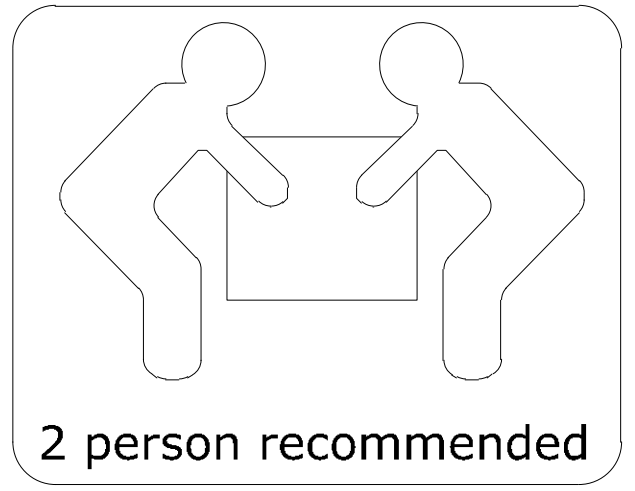
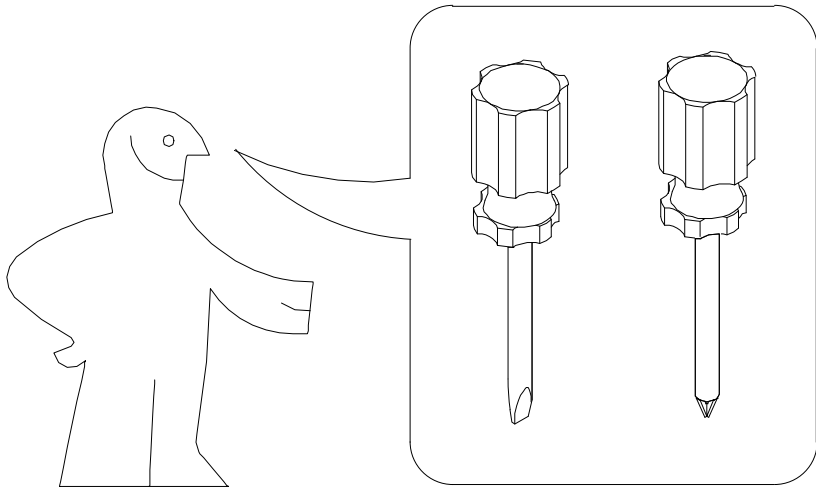
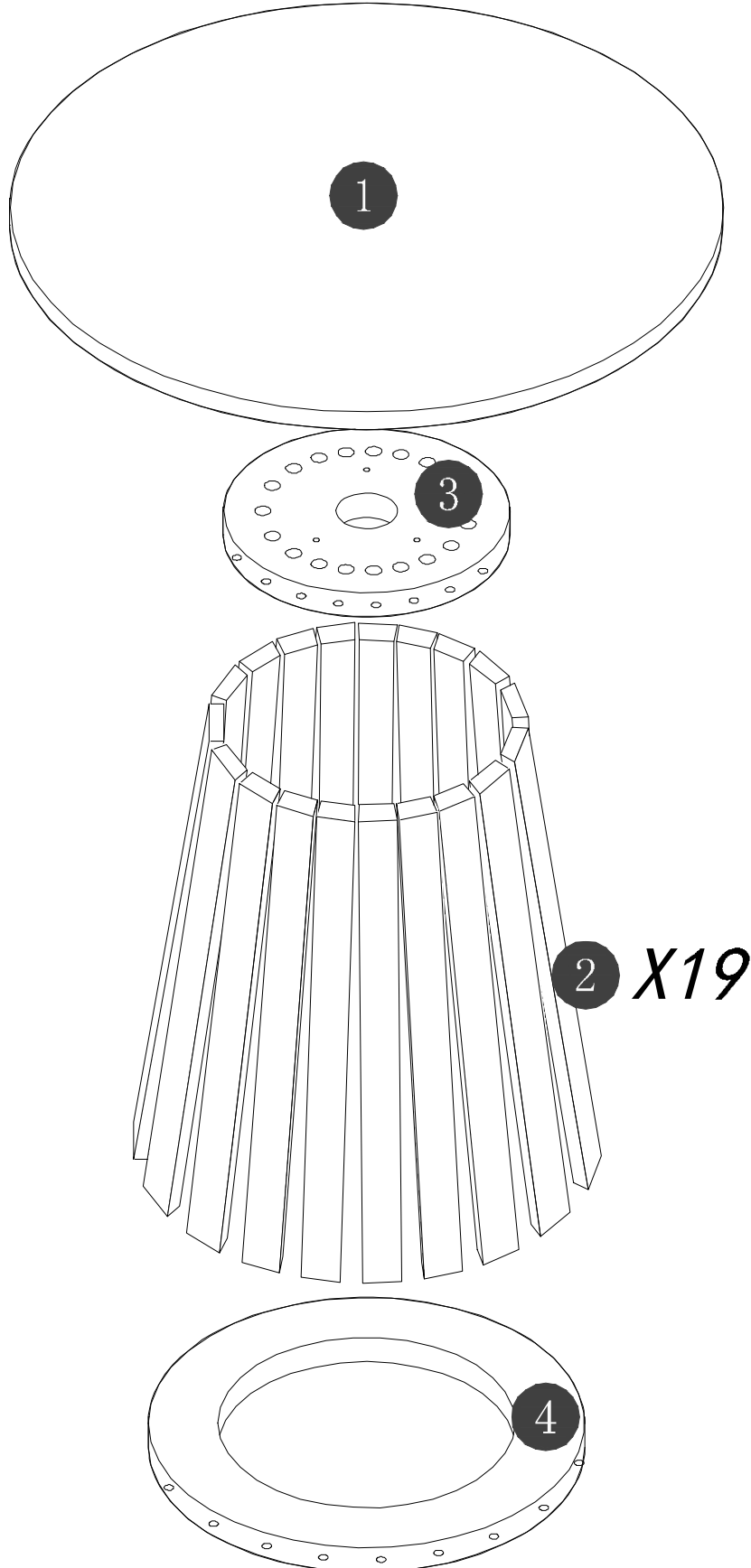


Assembly Instruction

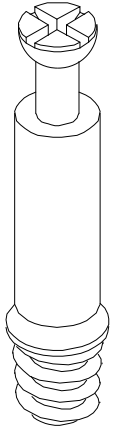




Panel No	Panel Sizes	Quantity
1	600*600*18	1
2	433*39*18	19
3	241*241*25	1
4	367*367*25	1

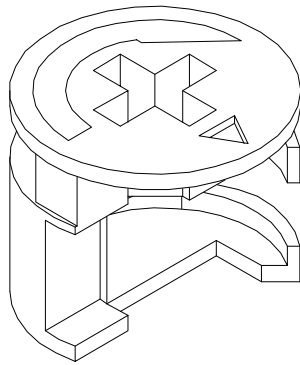


Fittings



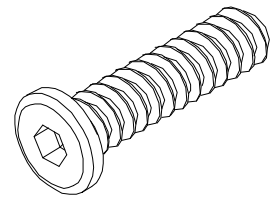
M6*40

A1=38



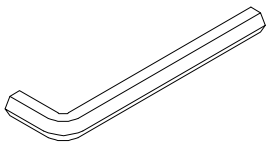
Φ 15*12

C=38

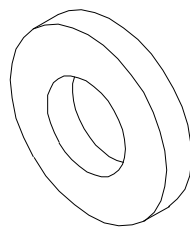


M6*40

G=3

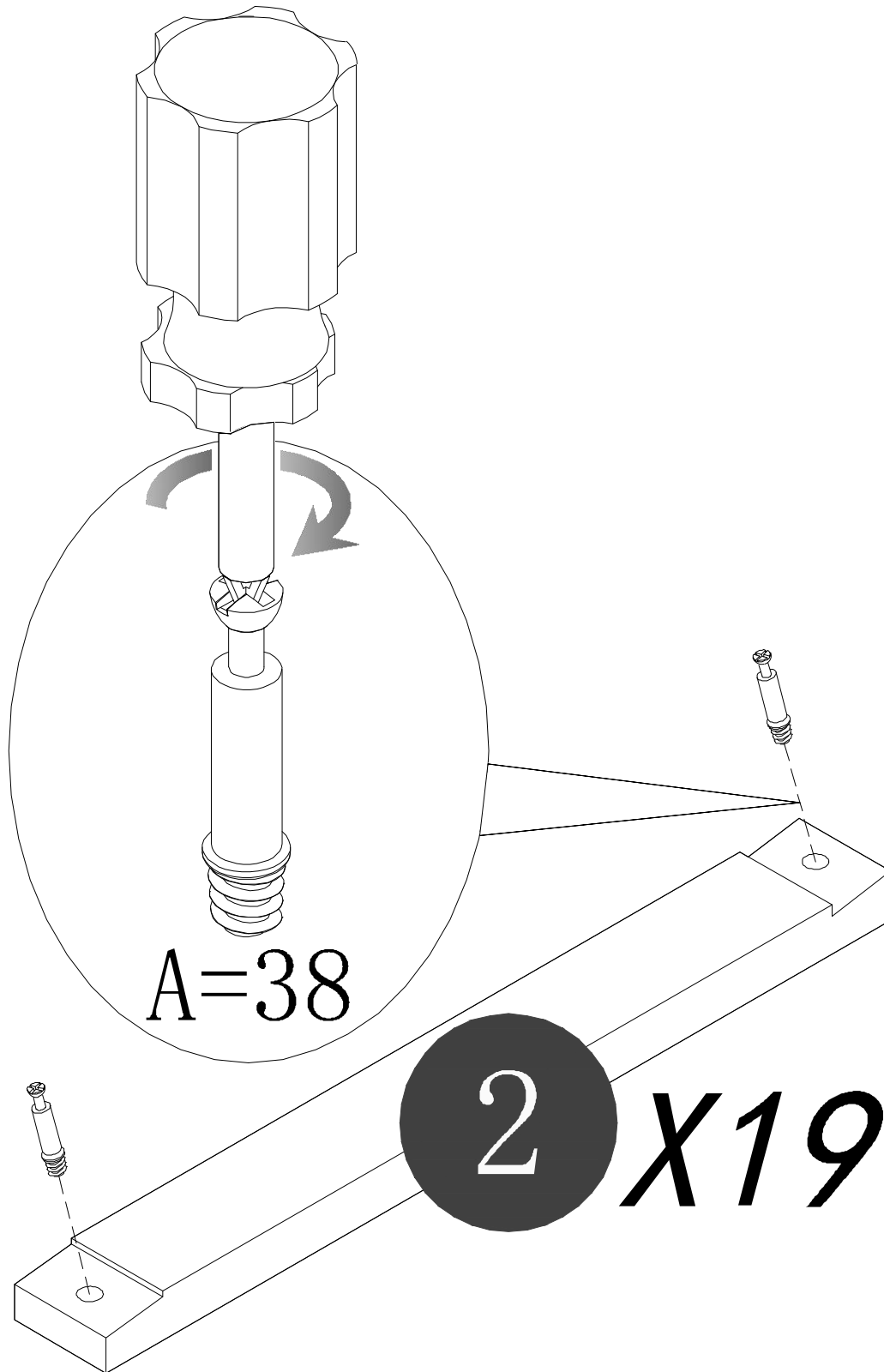


H=1

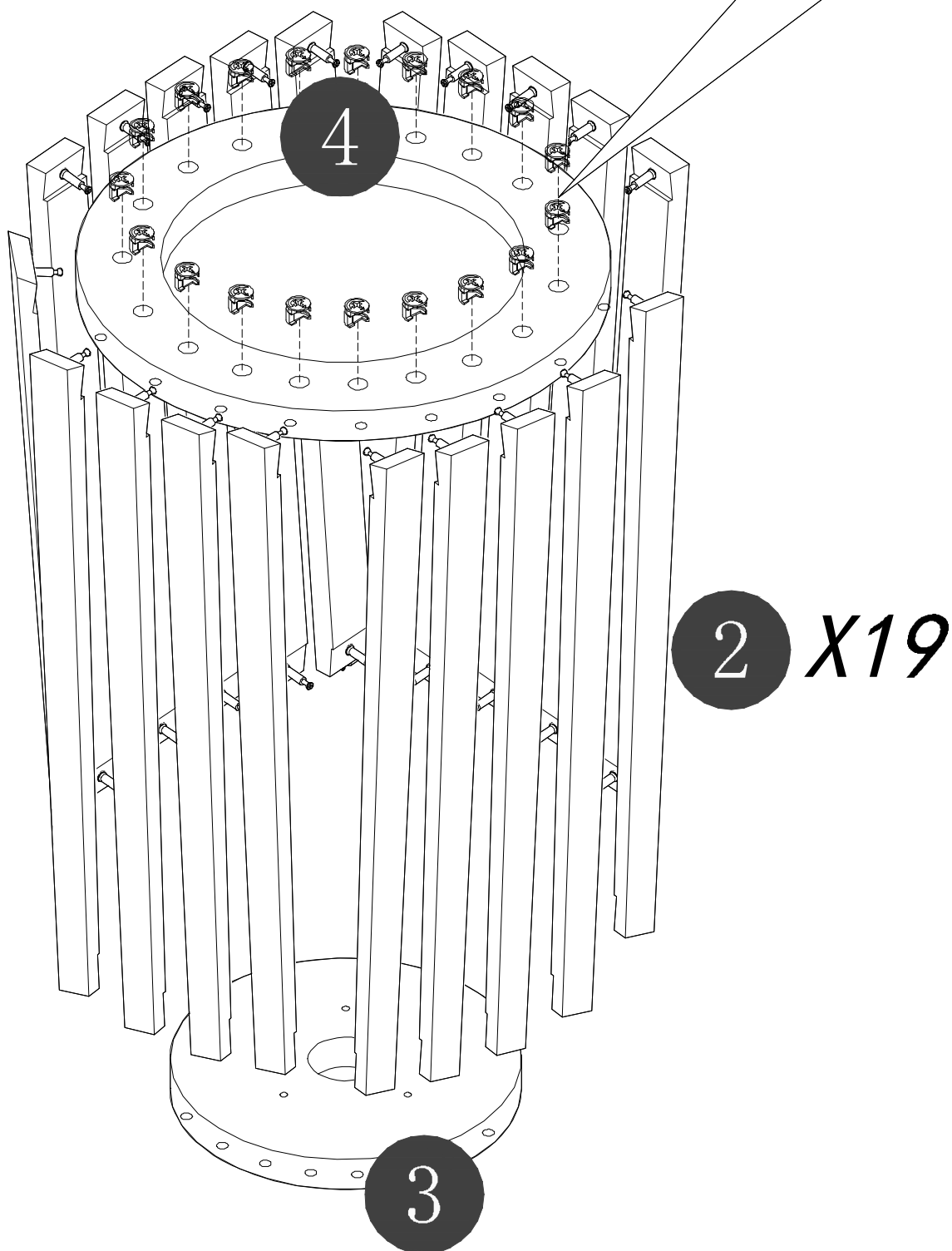
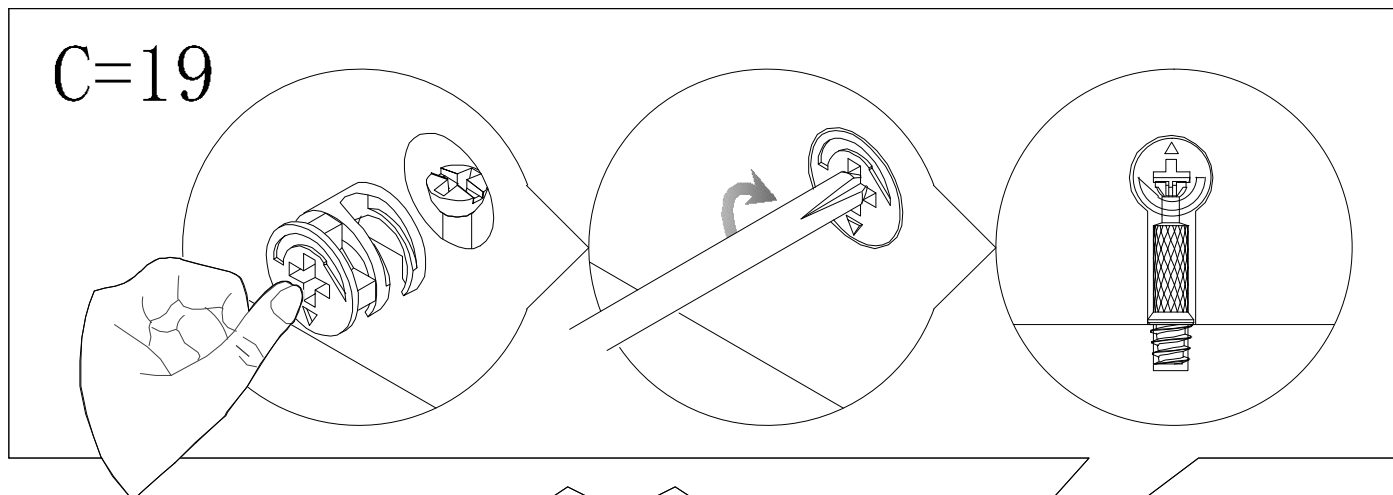


Z2=3

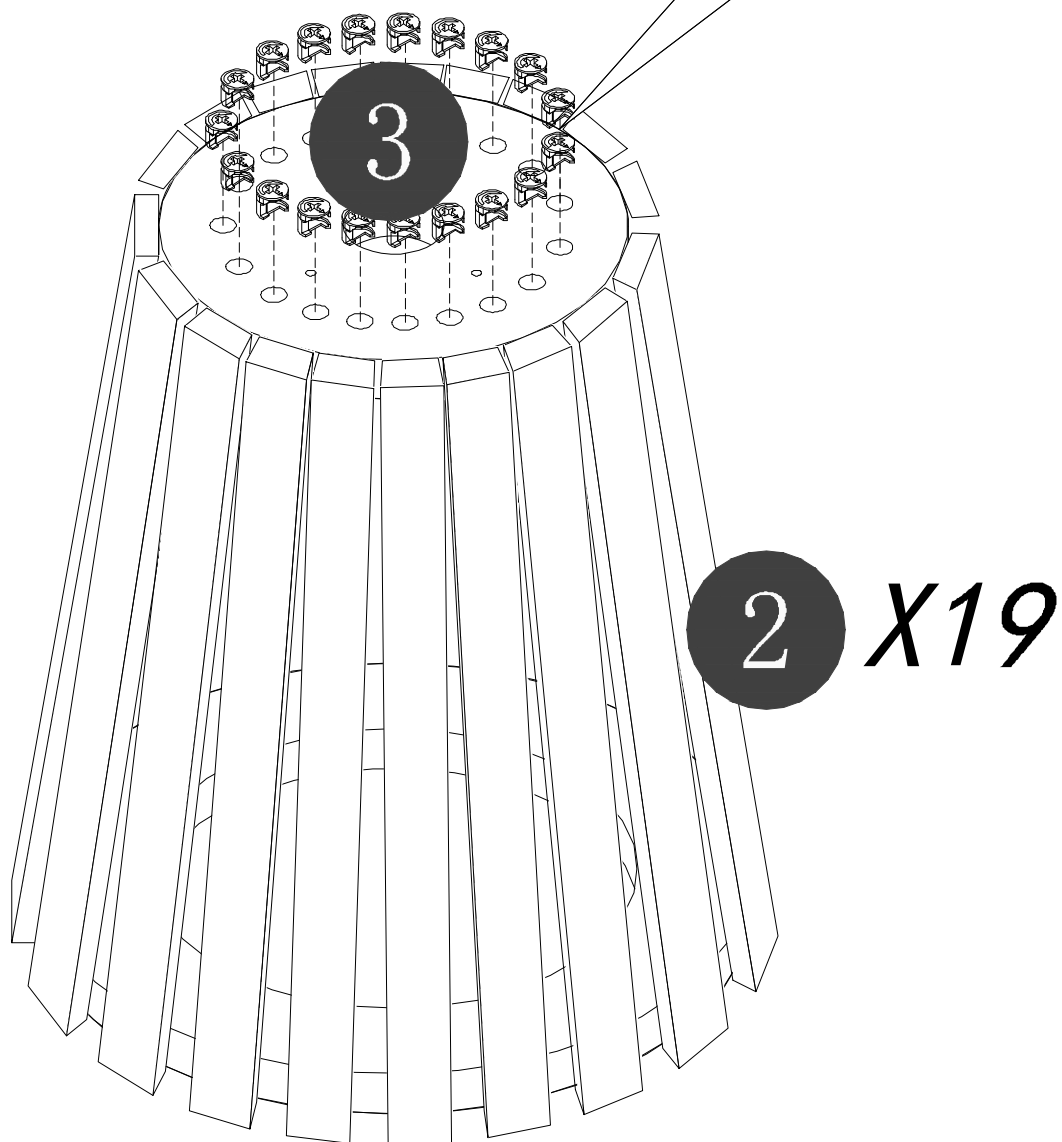
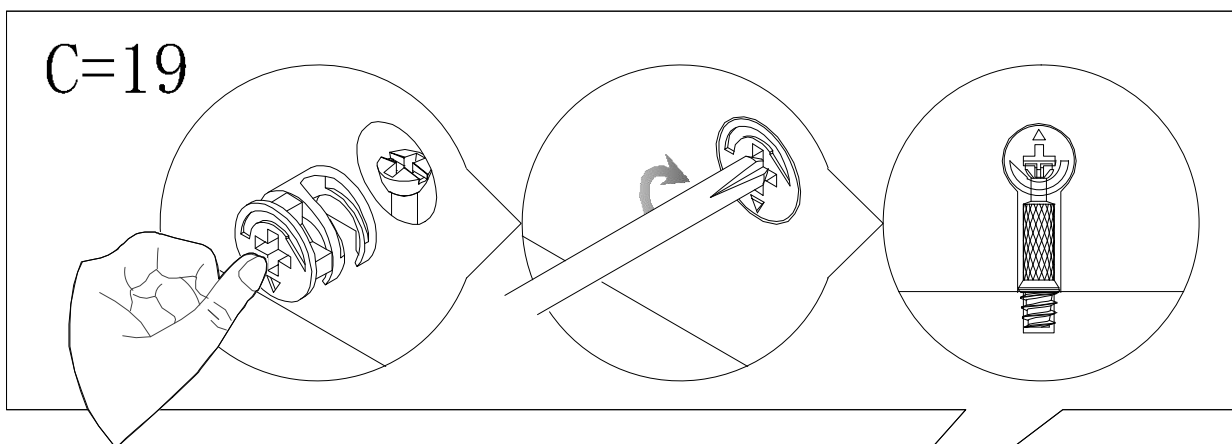
STEP 1



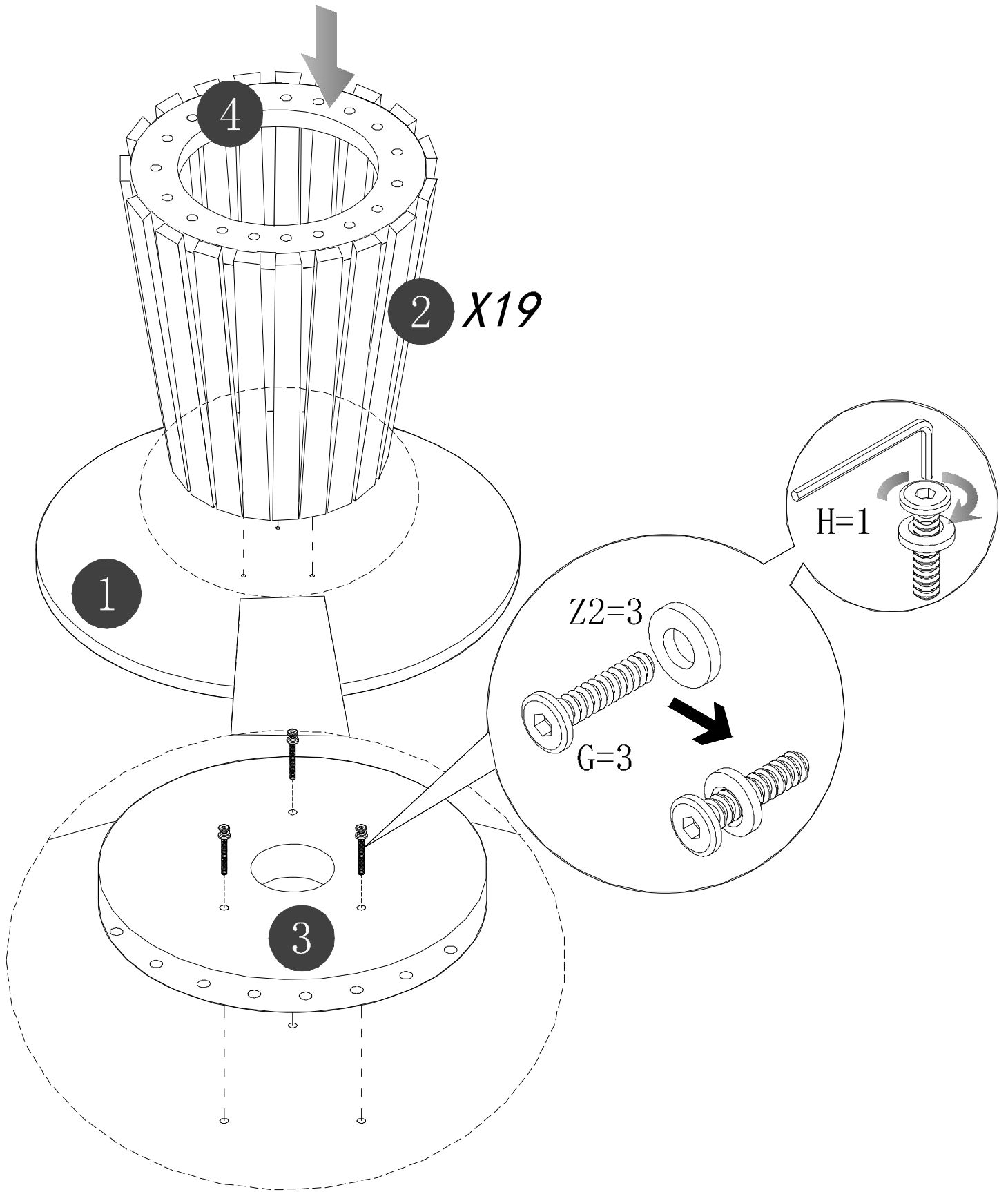
STEP 2



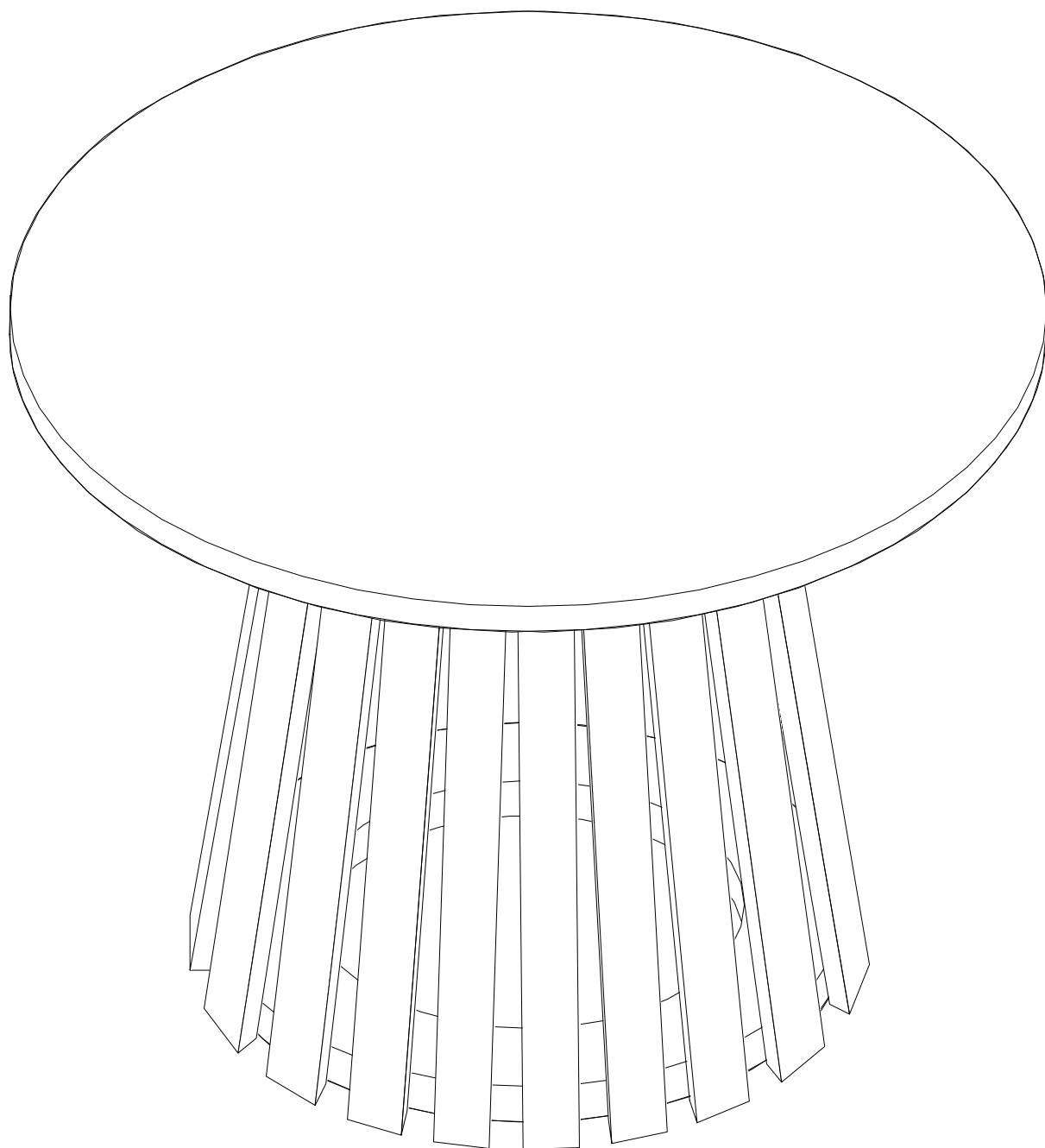
STEP 3



STEP 4



STEP 5



Finish