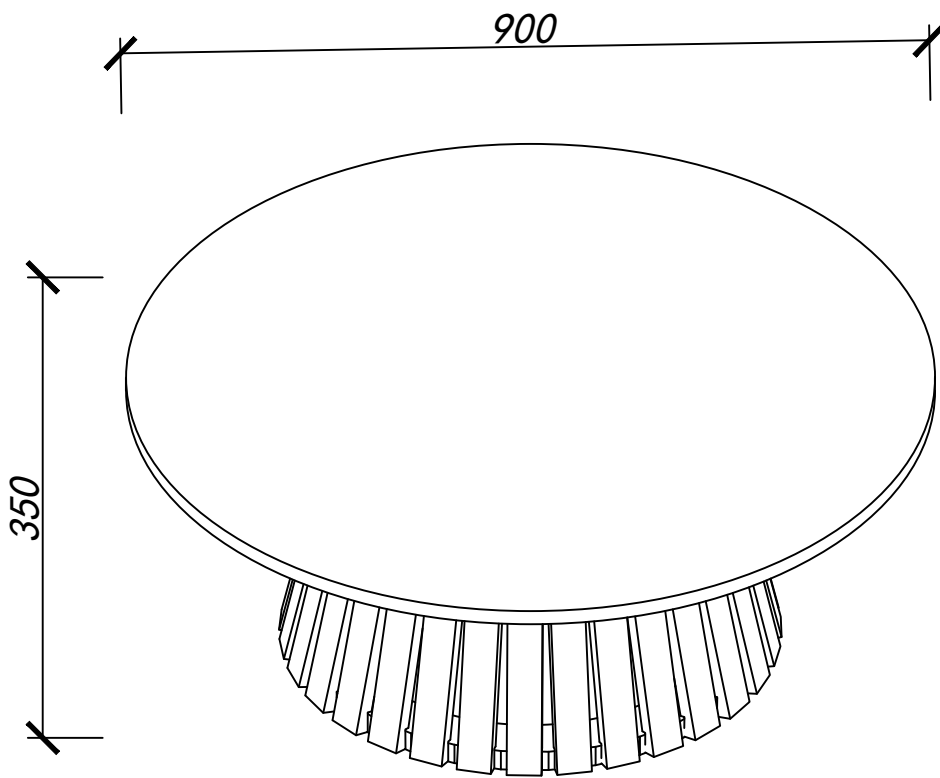
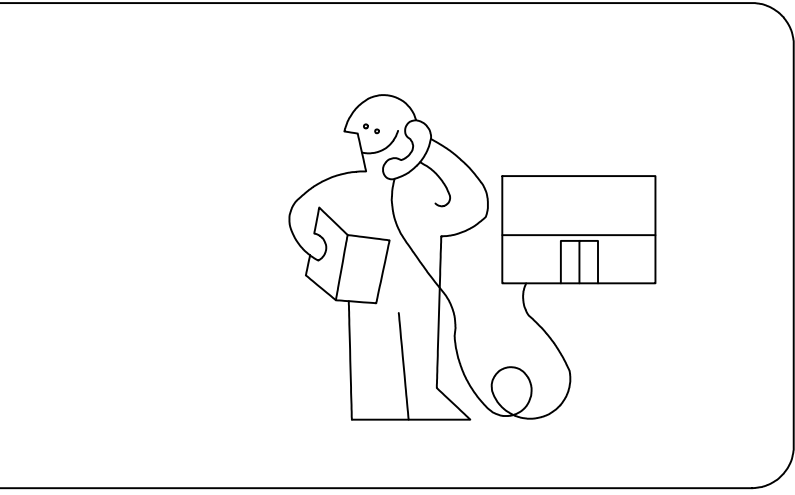
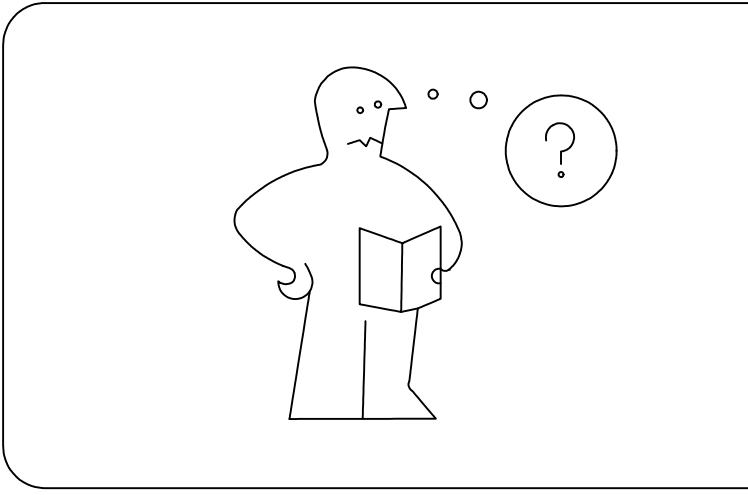
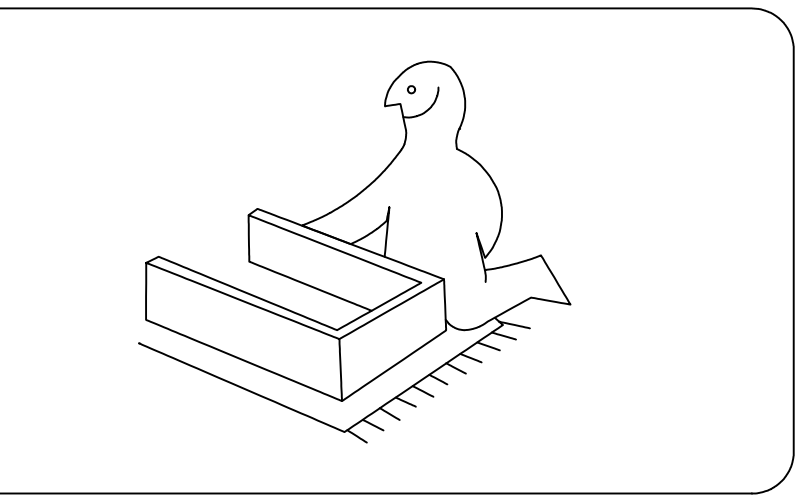
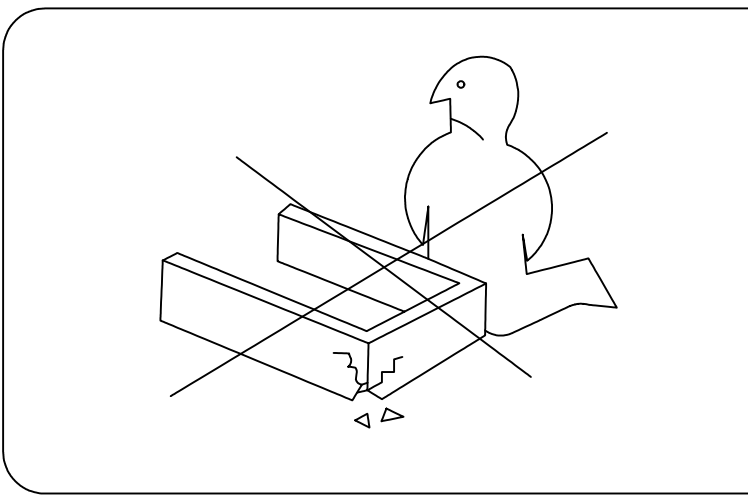
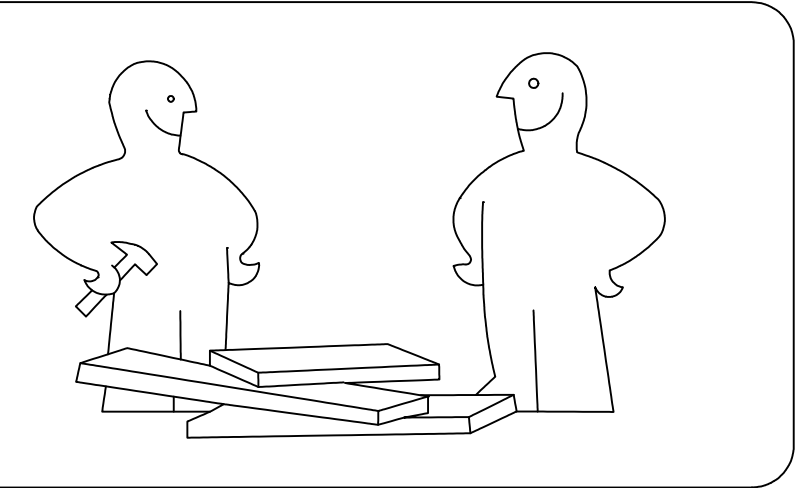
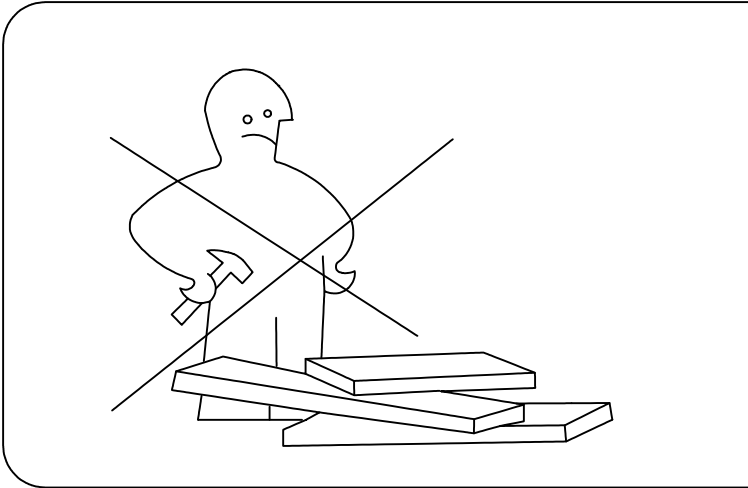
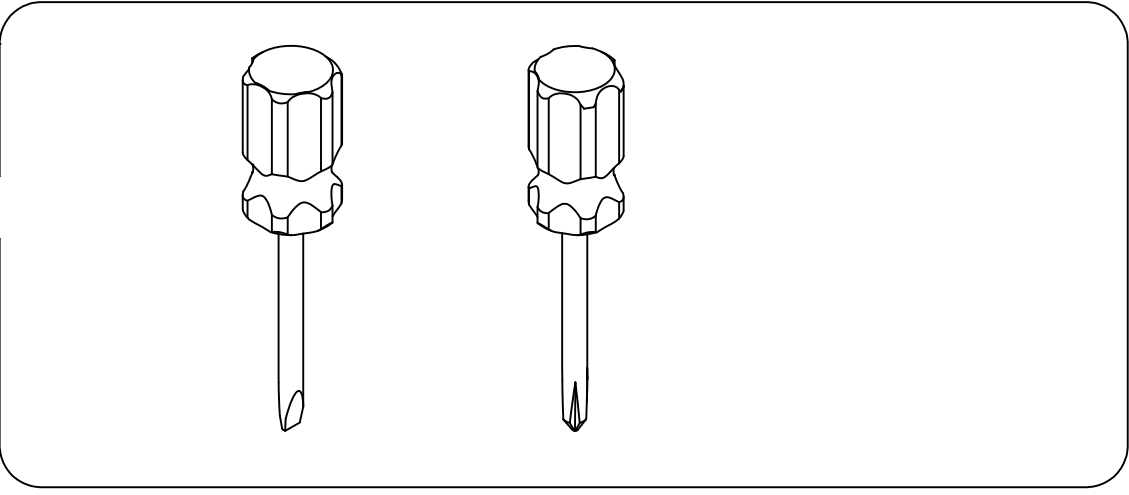
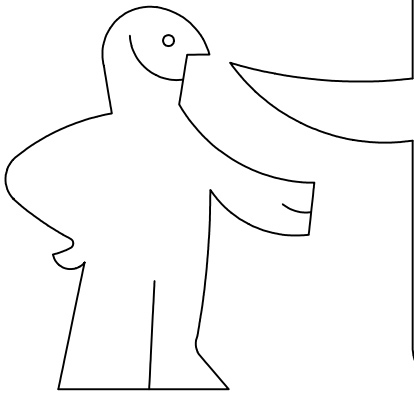
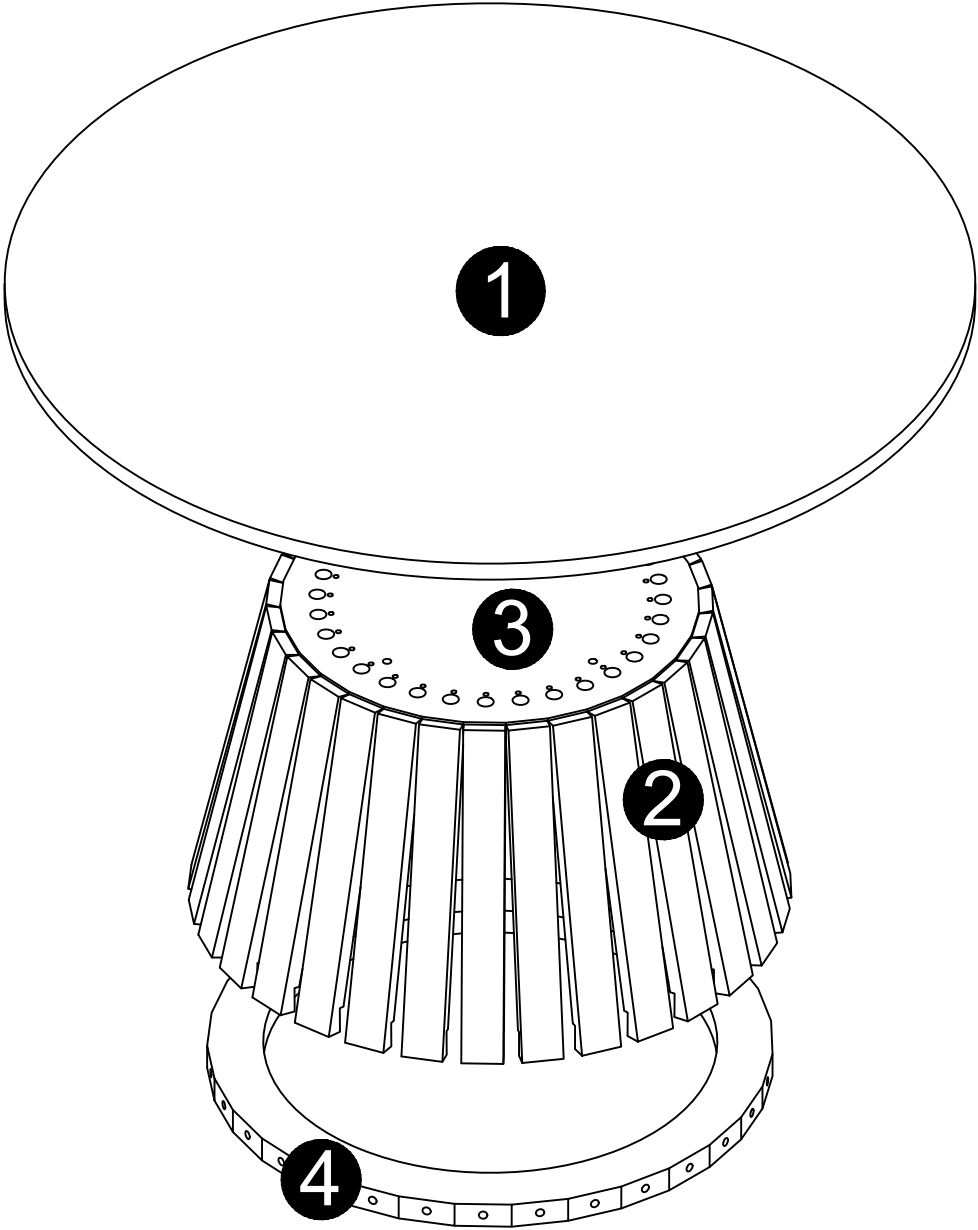


Assembly Instruction





Panel No	Panel Sizes	Quantity
1	900*900*18	1
2	335*39*18	31
3	389*389*25	1
4	525*525*25	1

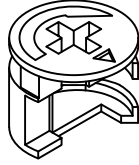


Fittings



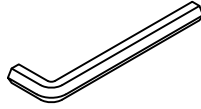
M6*40

A=62



$\Phi 15*12$

C=62



H=1



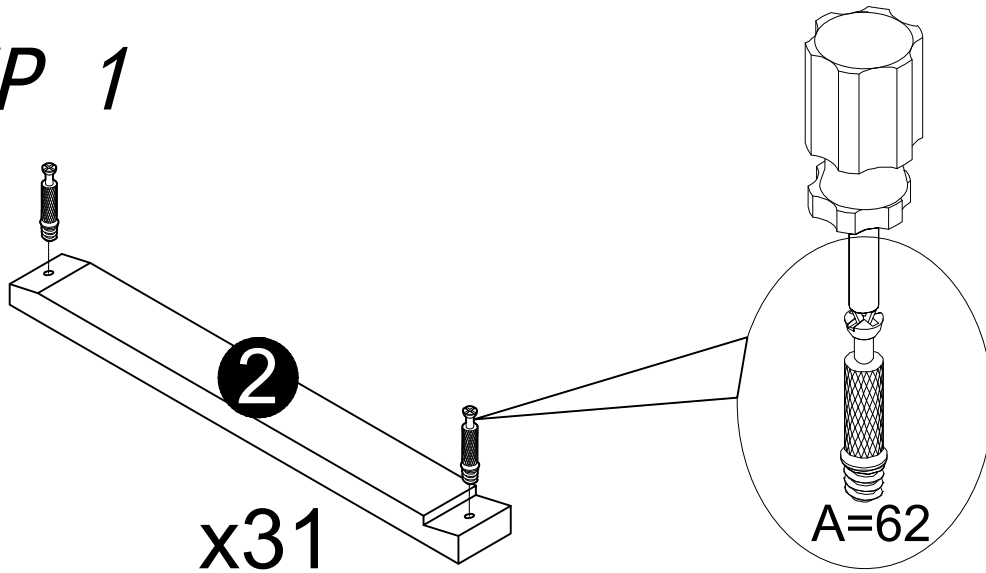
M6*16

G1=4

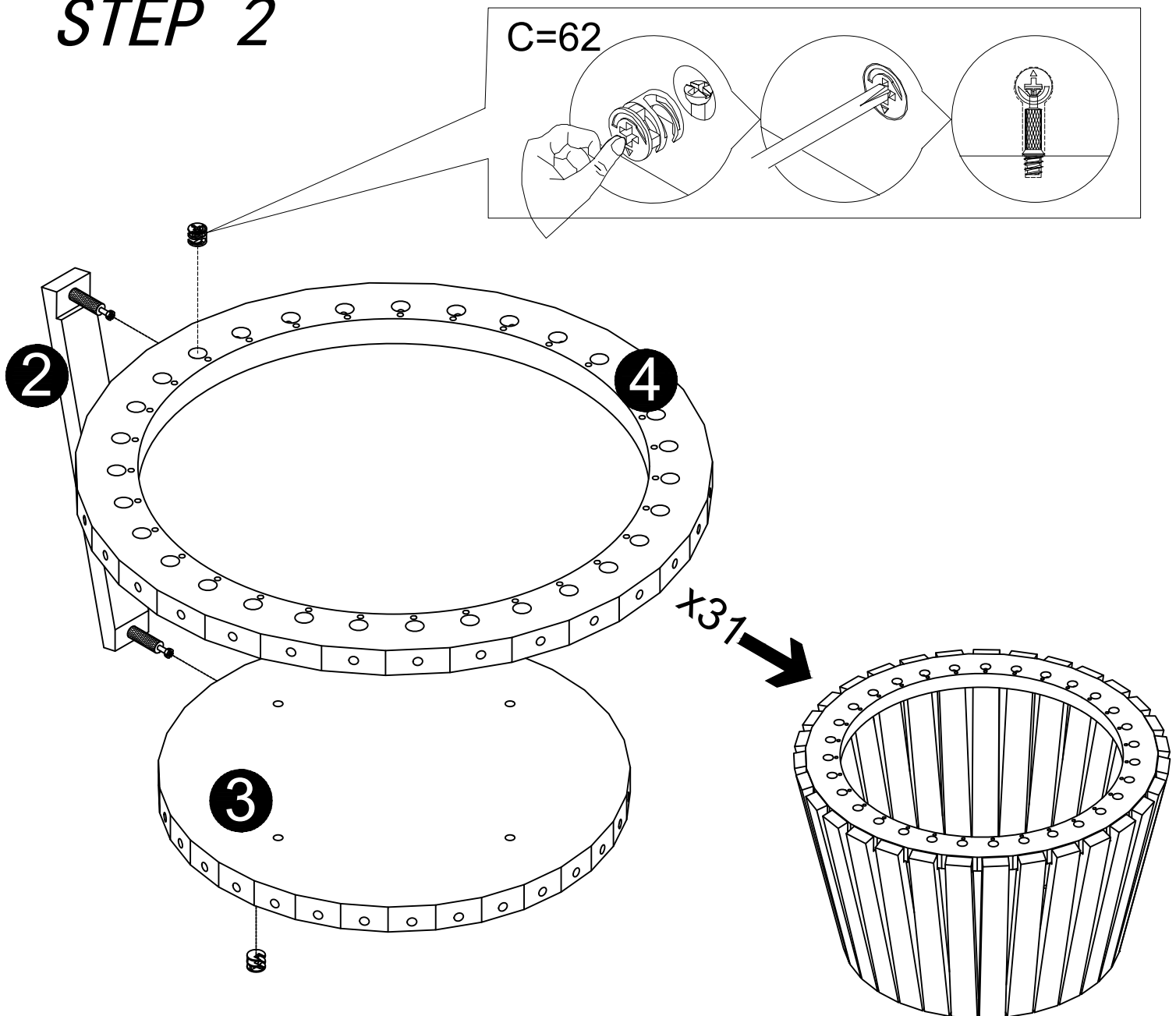


Z2=4

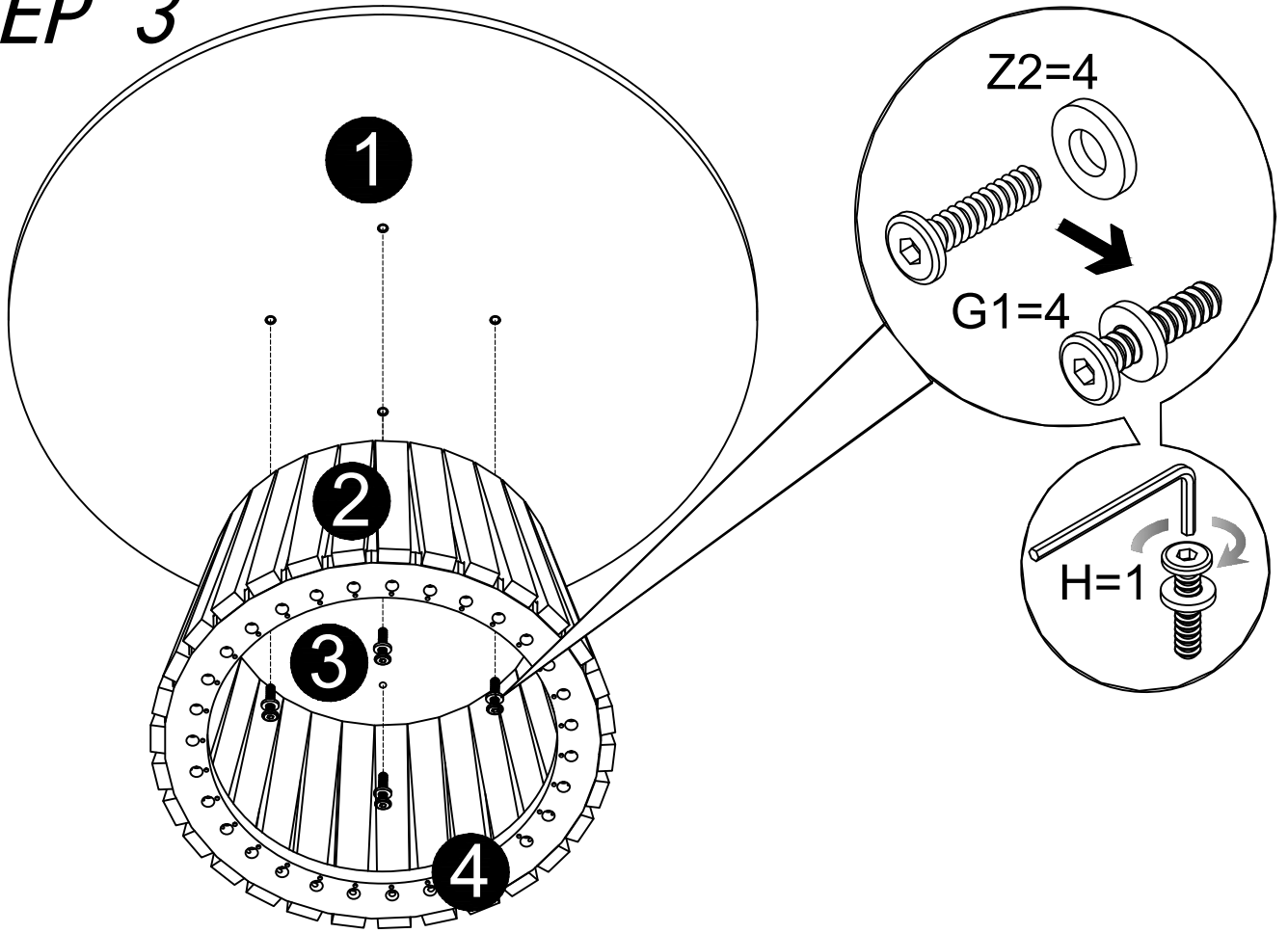
STEP 1



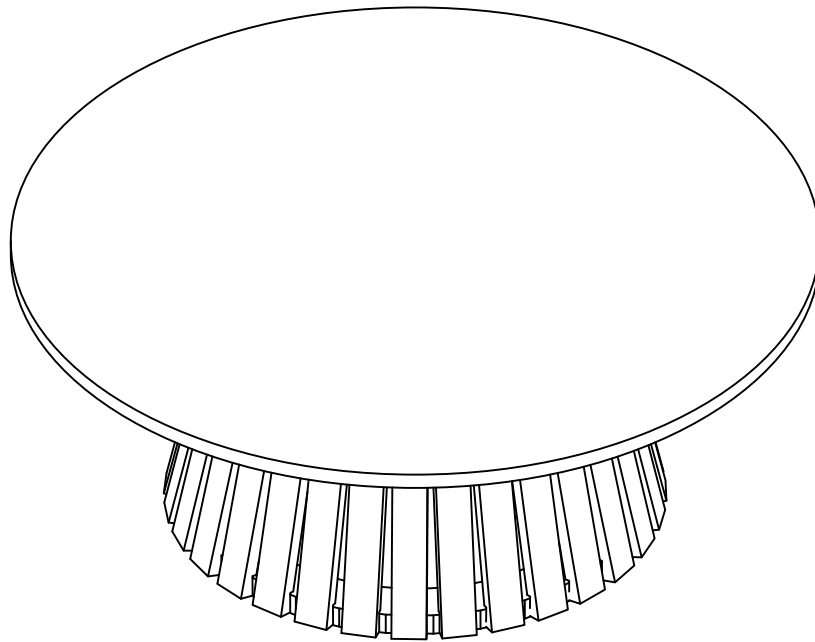
STEP 2



STEP 3



STEP 4



Finish