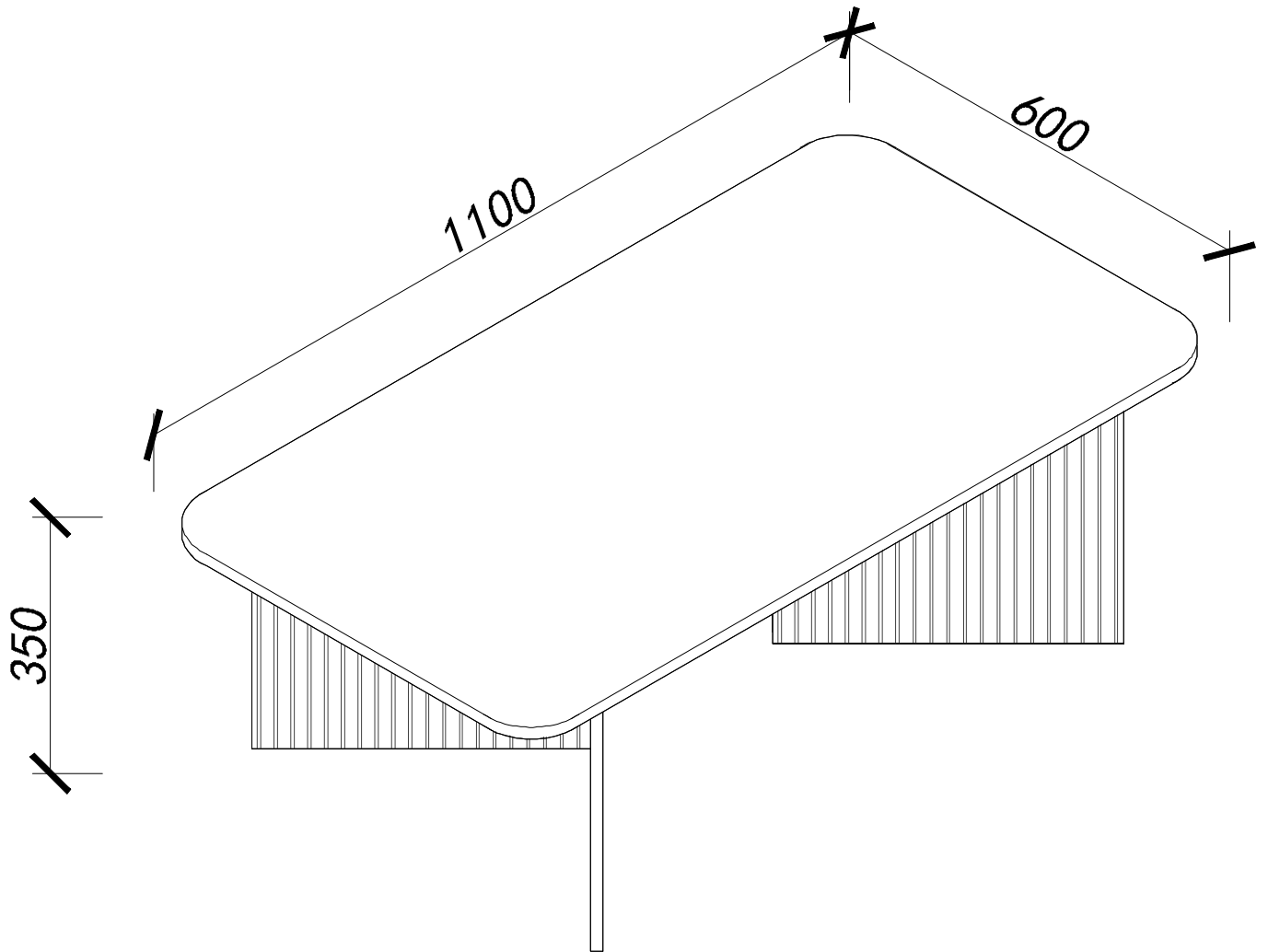
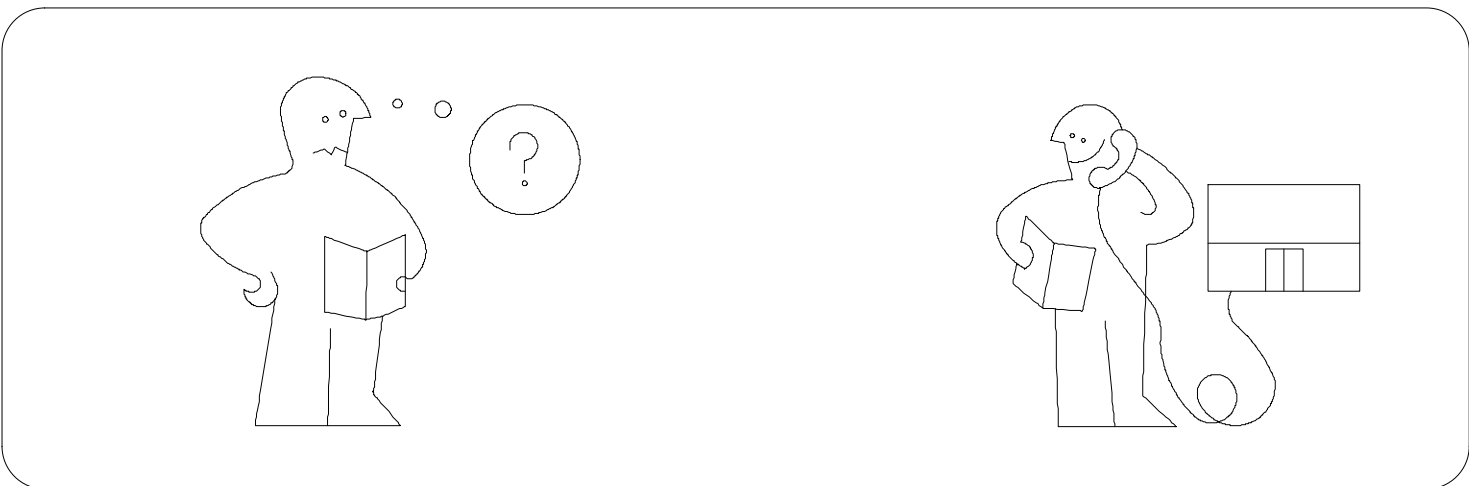
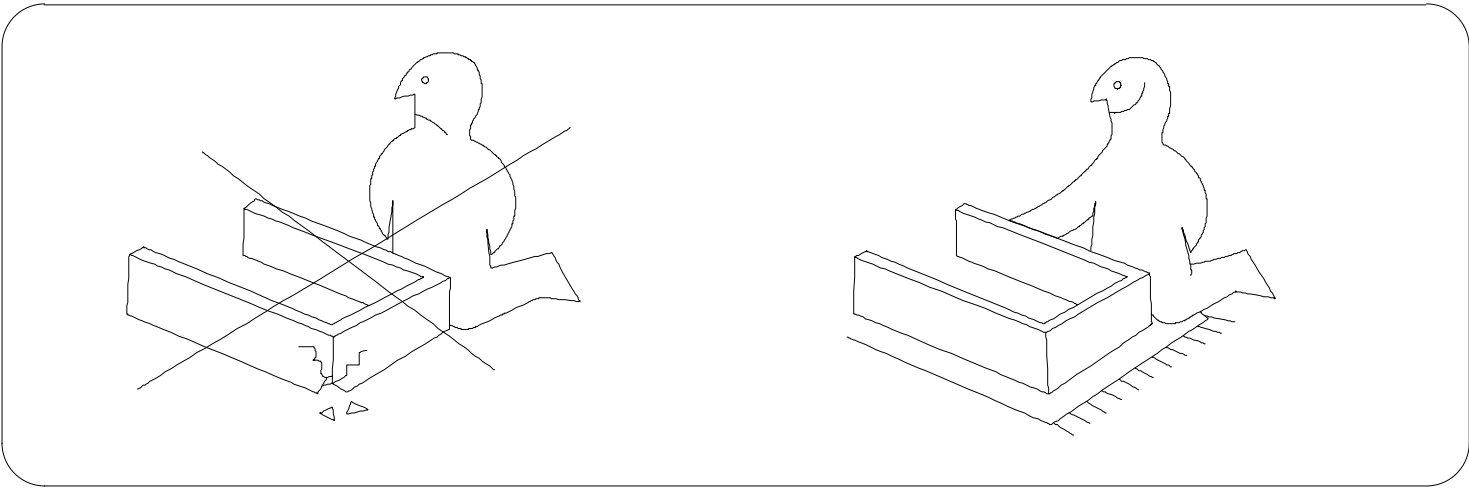
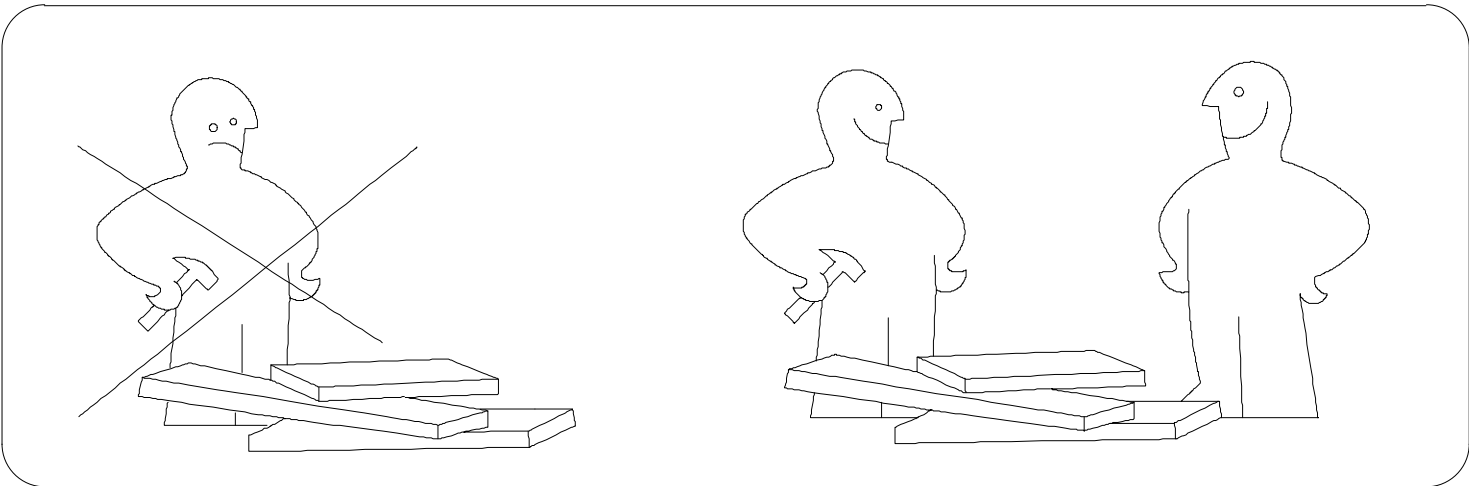
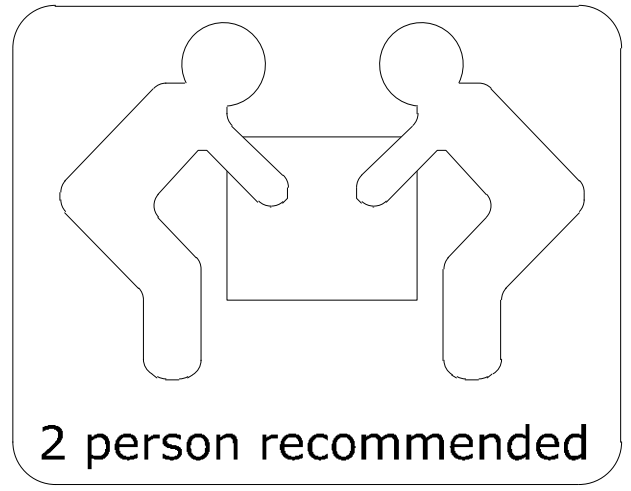
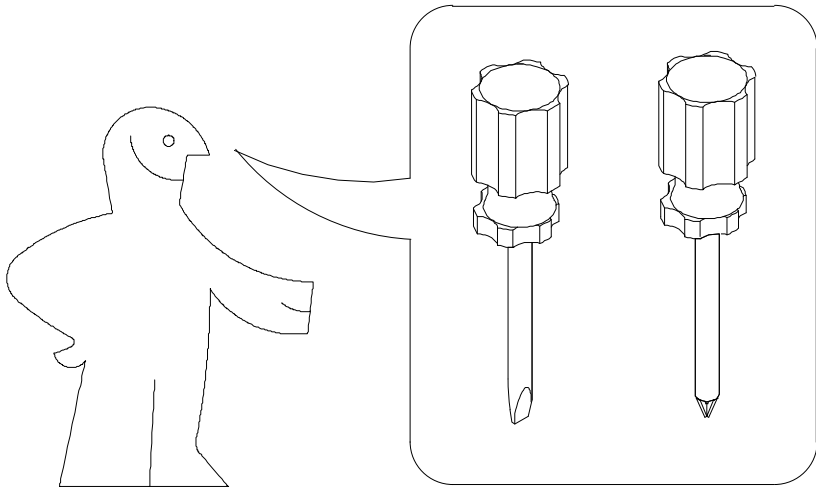
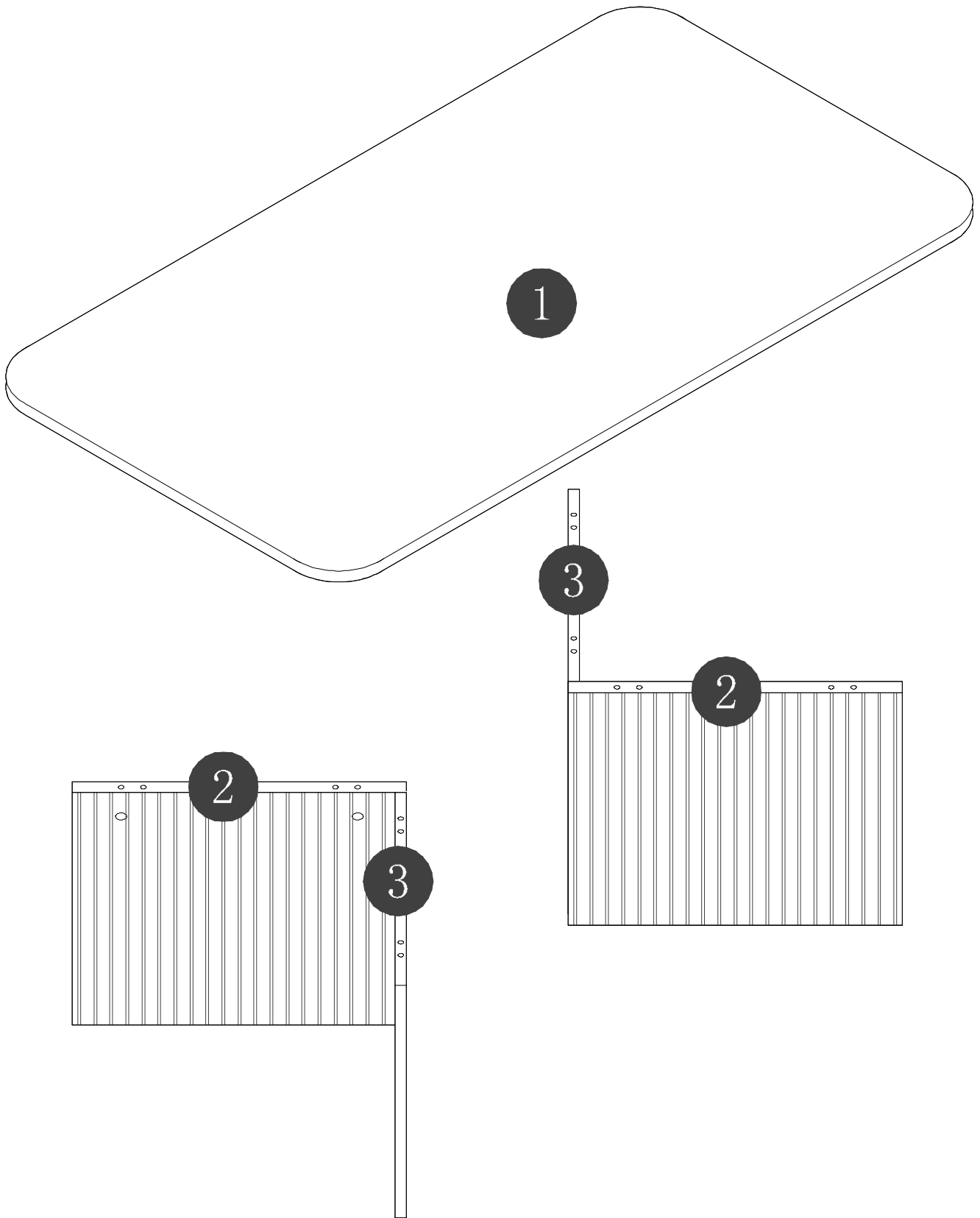


Assembly Instruction

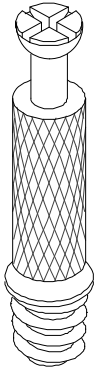




Panel No	Panel Sizes	Quantity
1	1100*600*16	1
2	334*340*16	2
3	334*339*16	2



Fittings



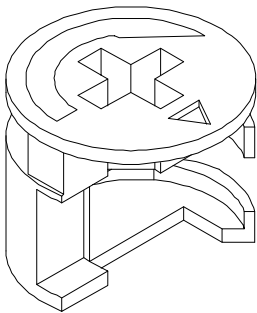
M6*40

A=12



Φ 8*30

B=12



Φ 15*12

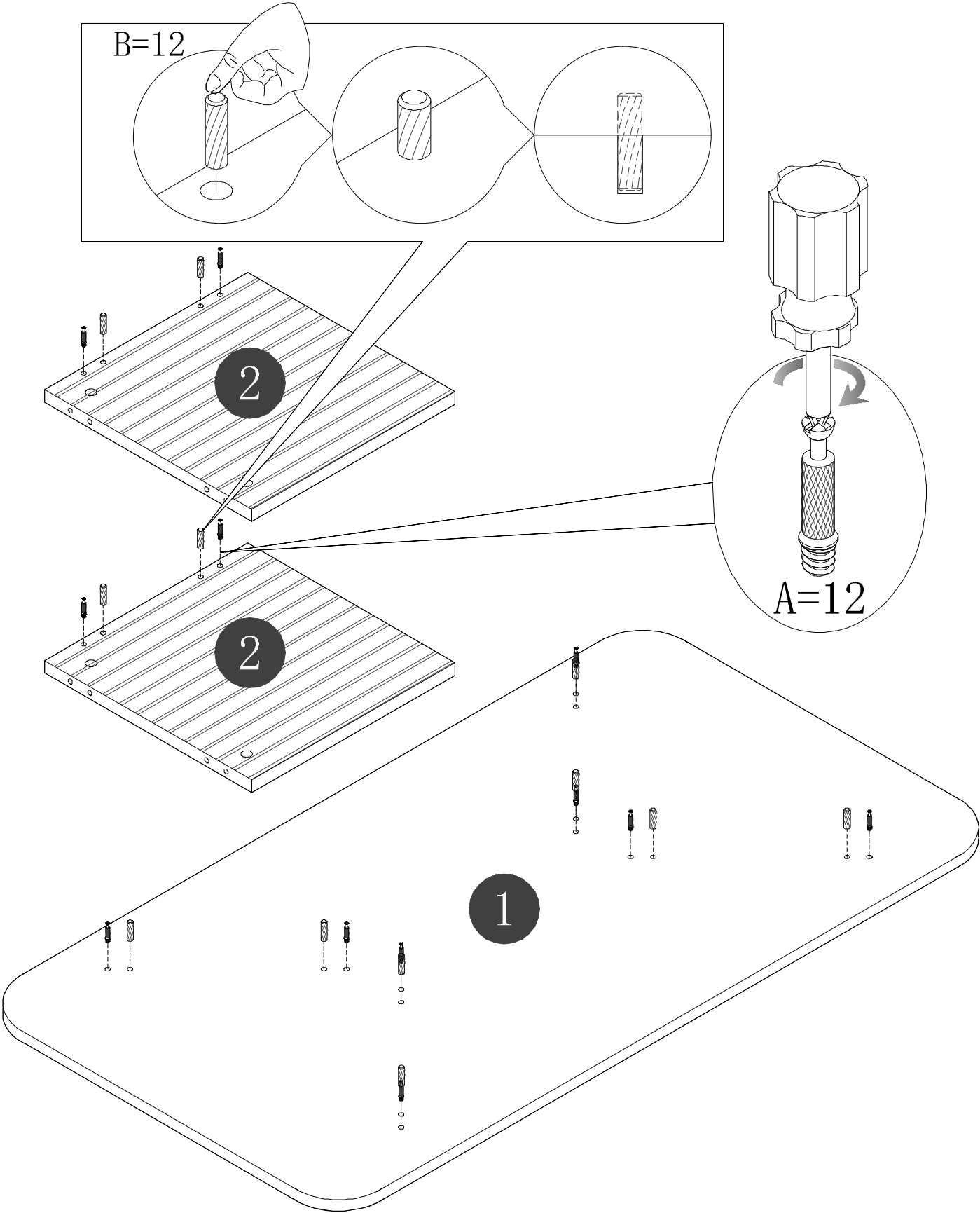
C=12



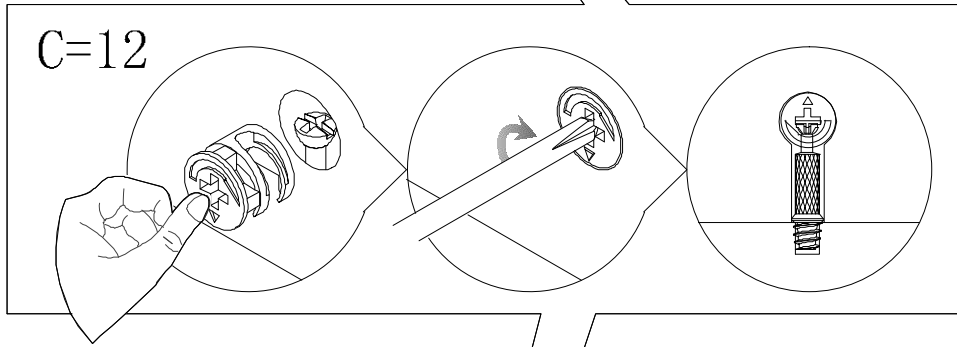
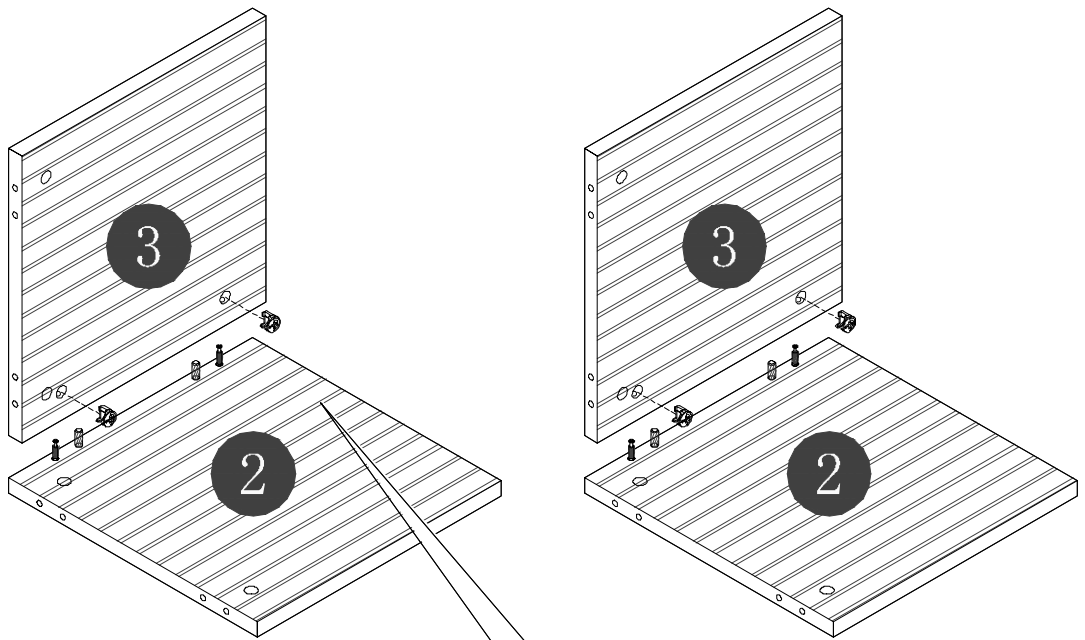
Φ 21

D=12

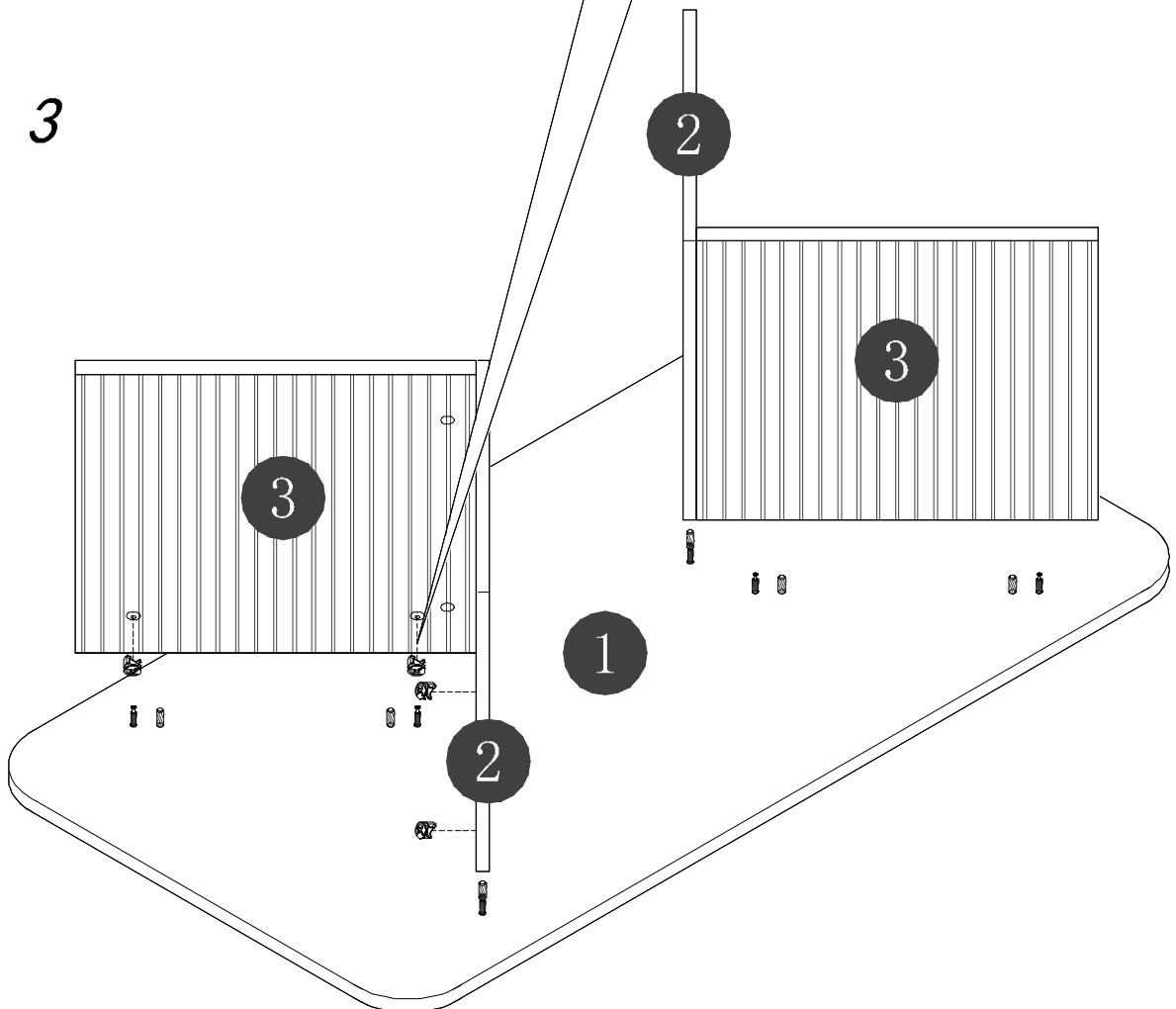
STEP 1



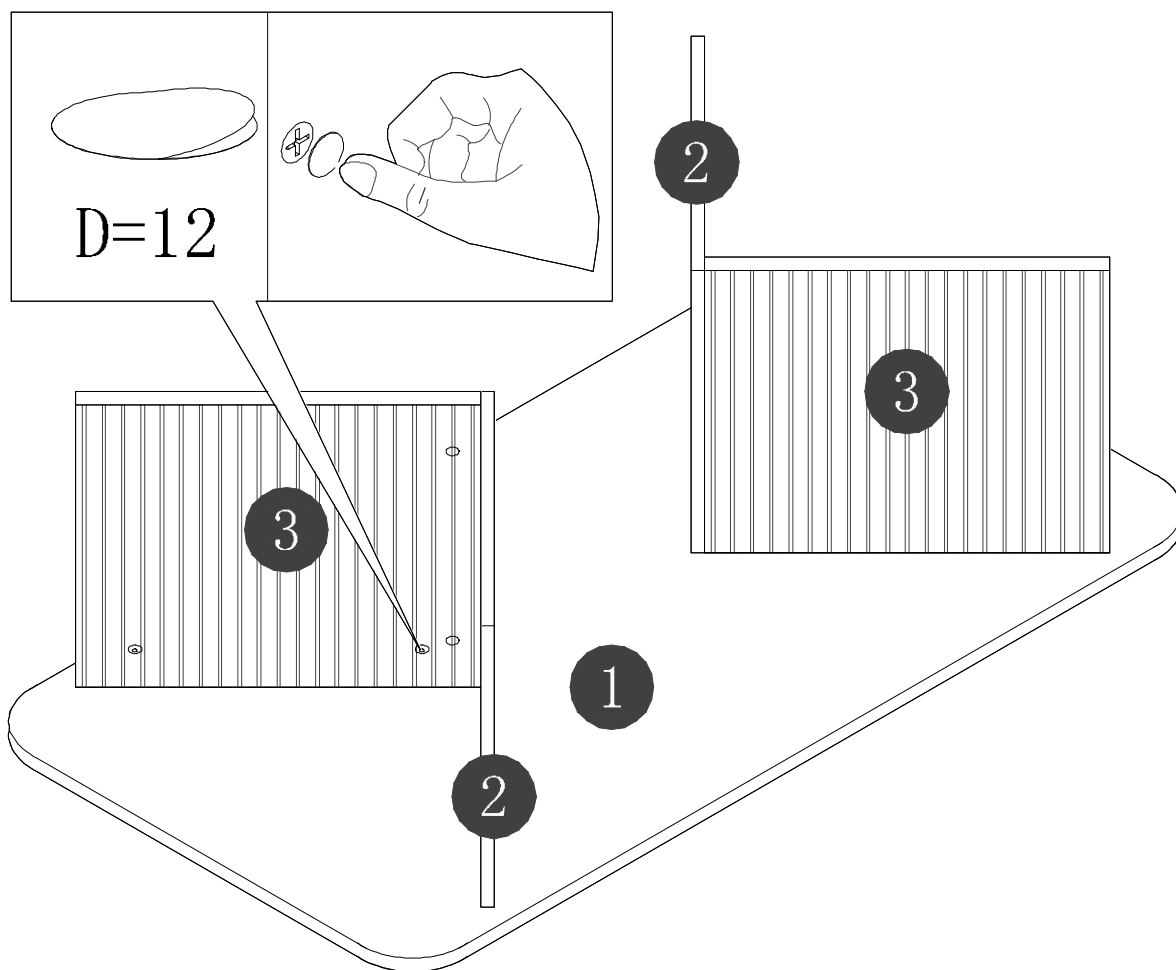
STEP 2



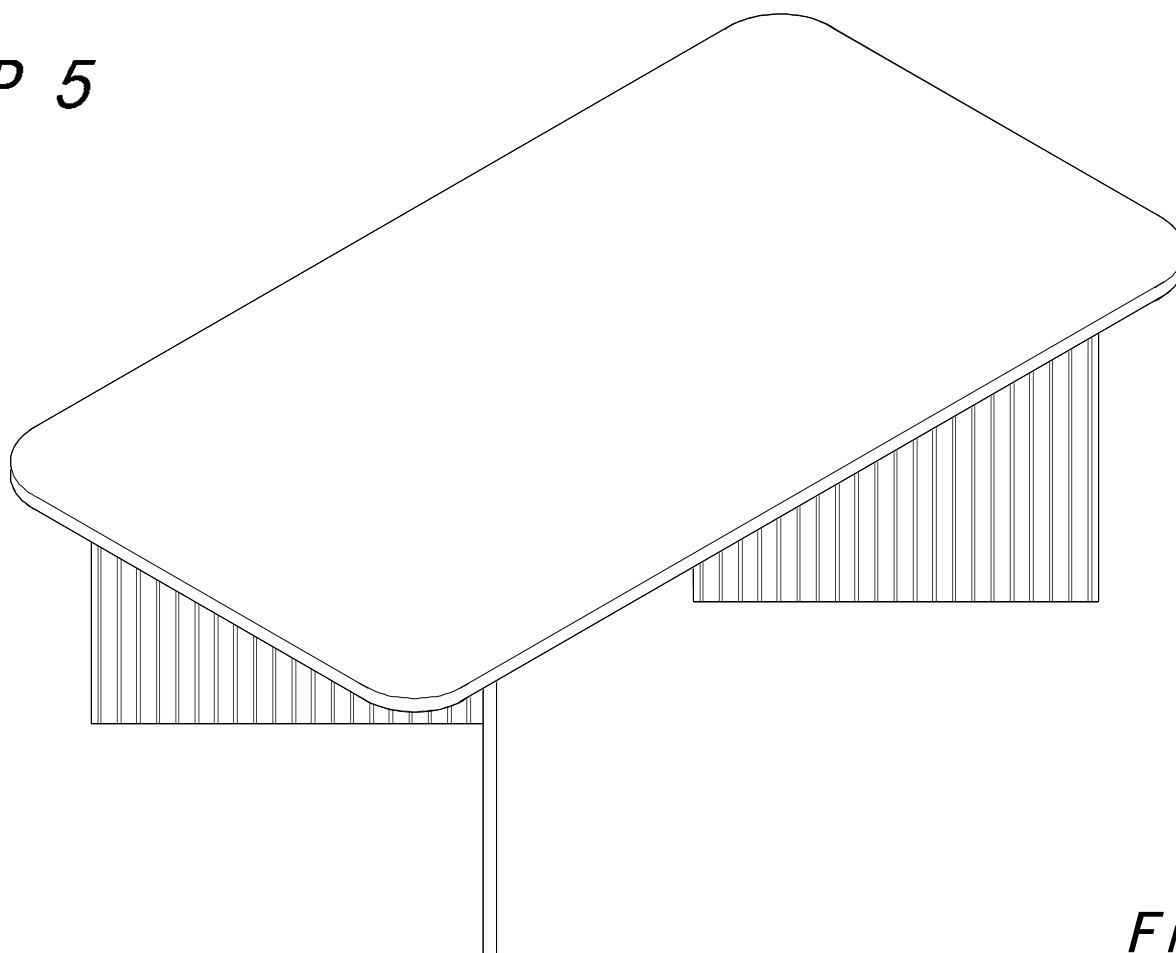
STEP 3



STEP 4



STEP 5



Finish