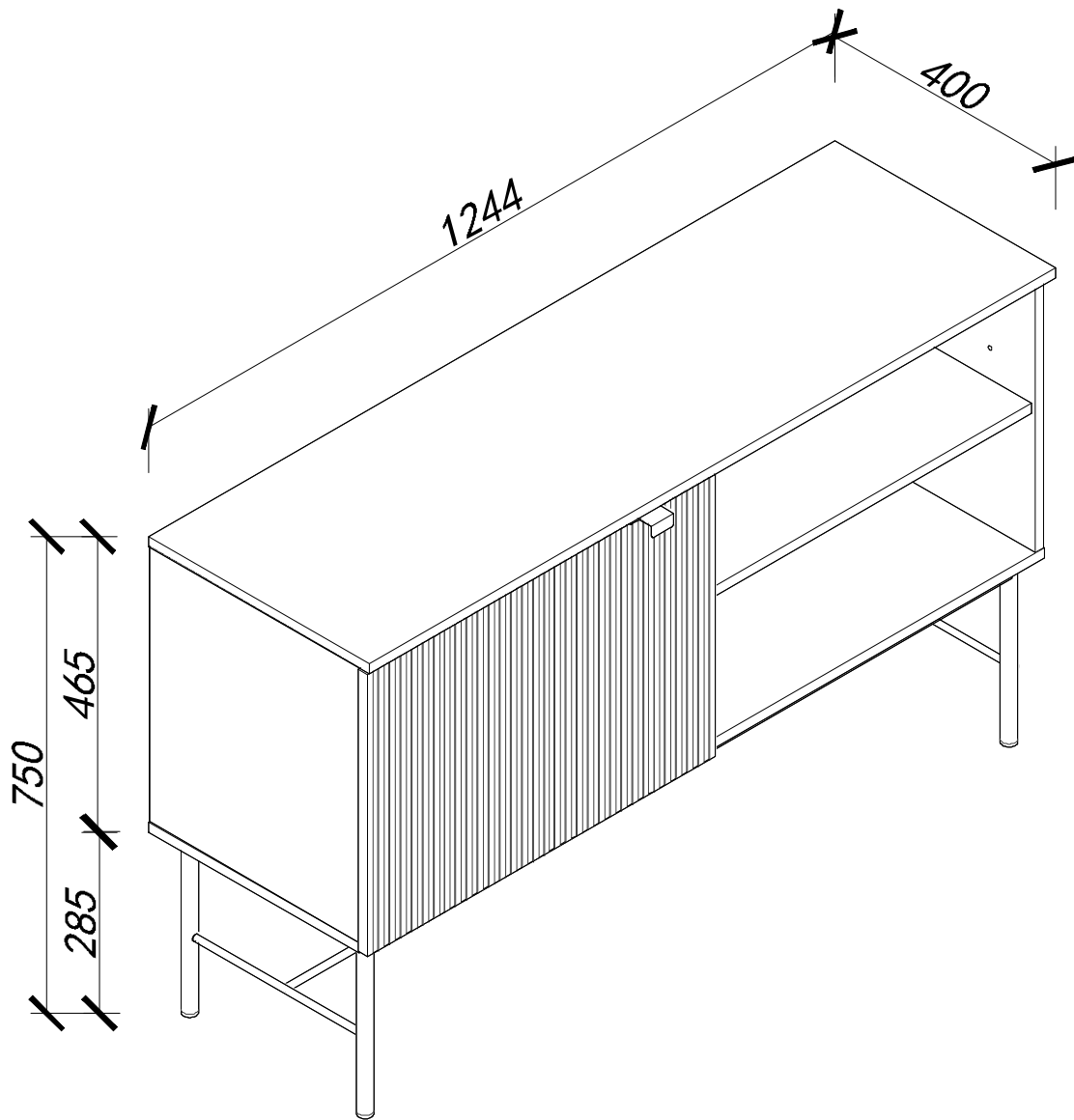
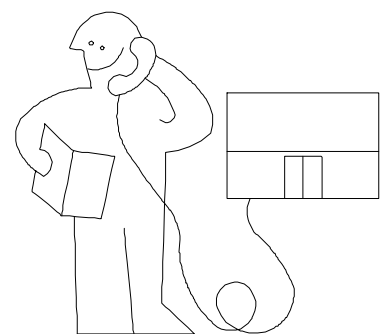
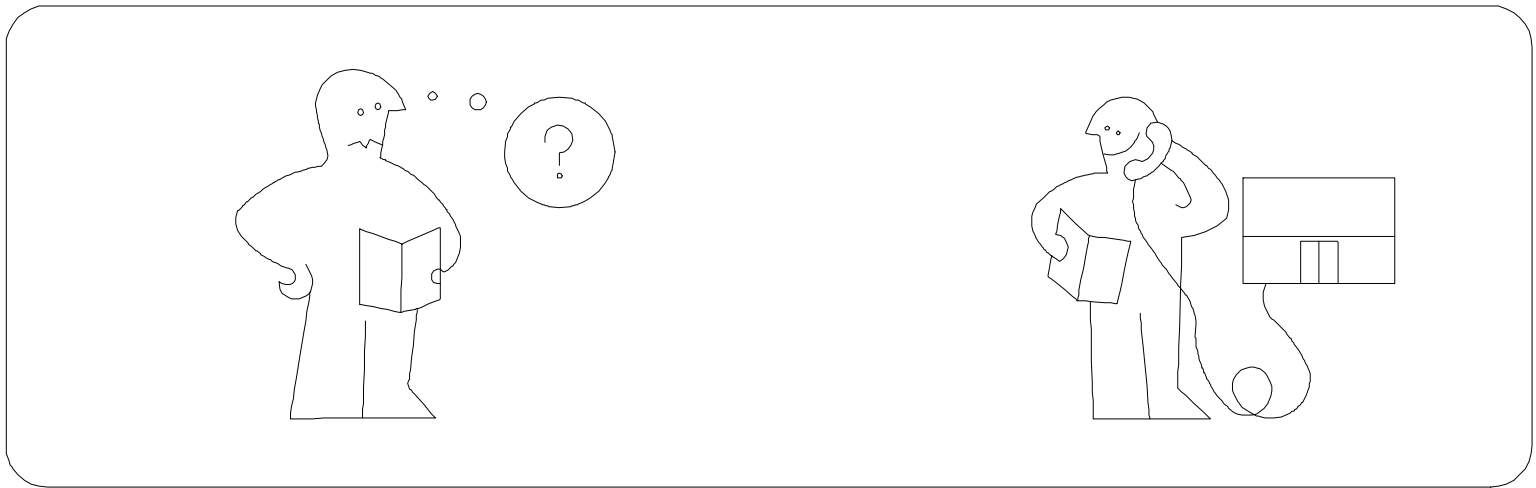
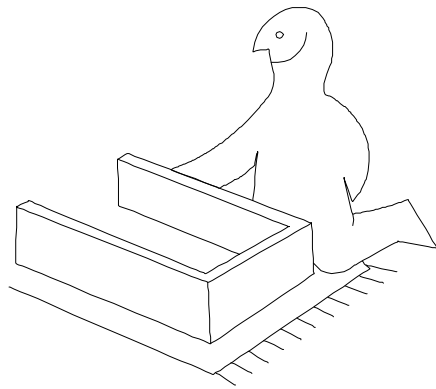
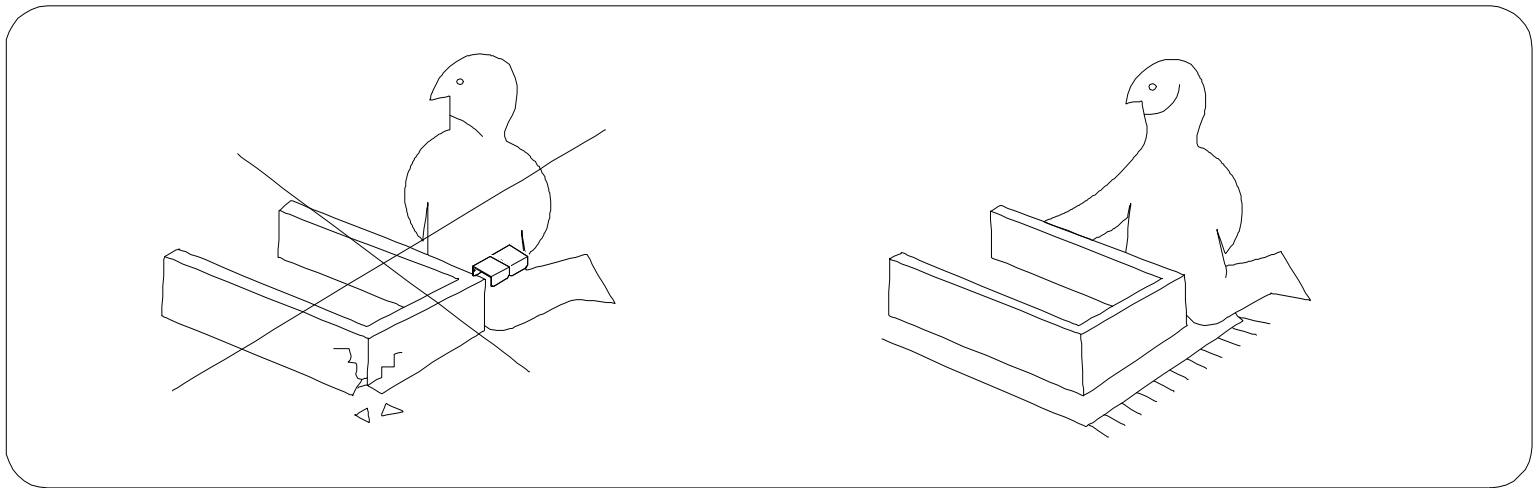
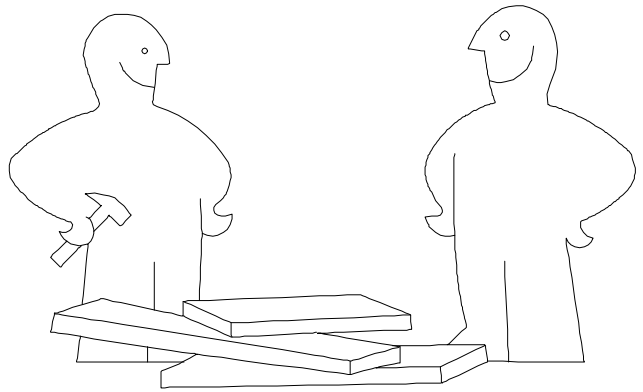
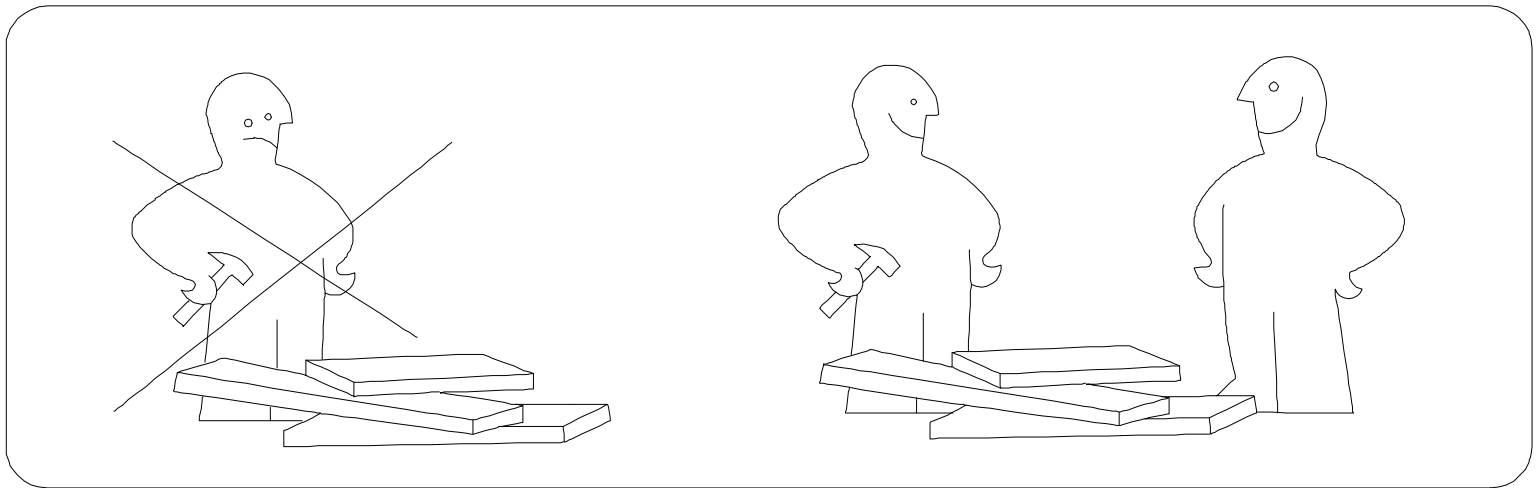
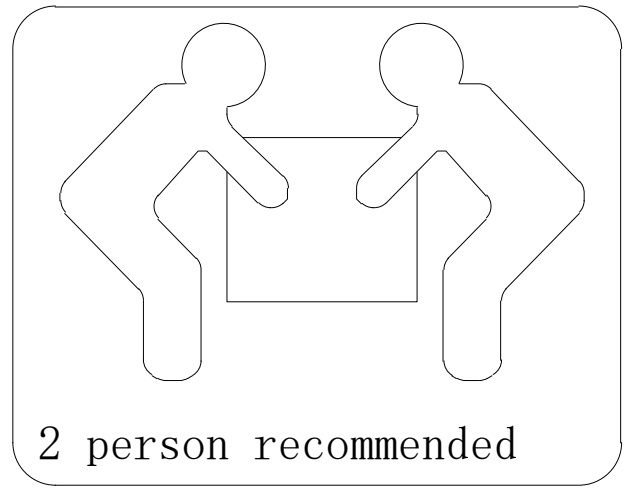
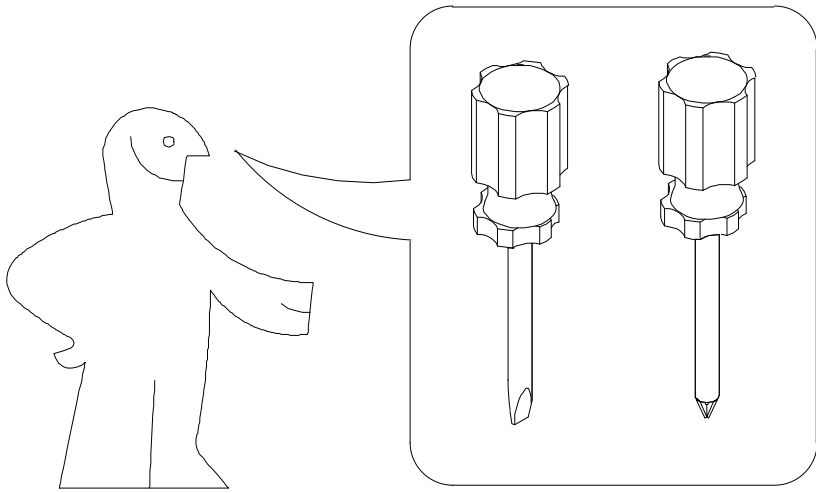


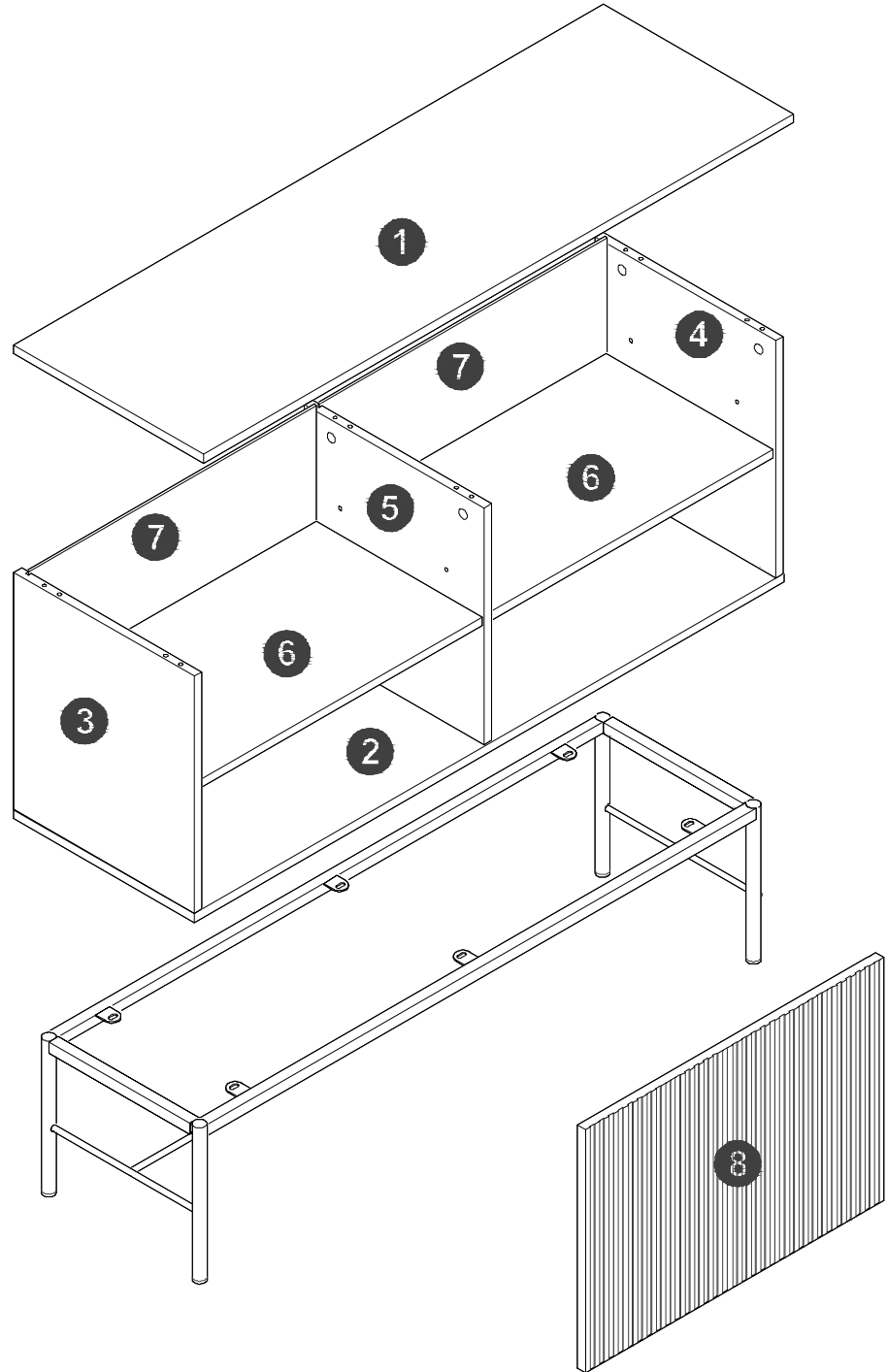
Assembly Instruction





Panel No	Panel Sizes	Quantity
1	1244*400*16	1
2	1244*381*16	1
3	433*380*16	1
4	433*380*16	1

Panel No	Panel Sizes	Quantity
5	433*378*16	1
6	594*350*16	2
7	607*133*5	2
8	630*444*18	1

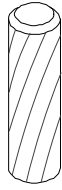


Fittings



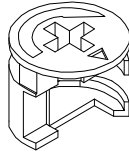
M6*40

A=6



Φ8*30

B=12



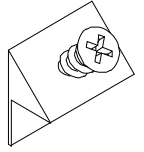
Φ15*12

C=6

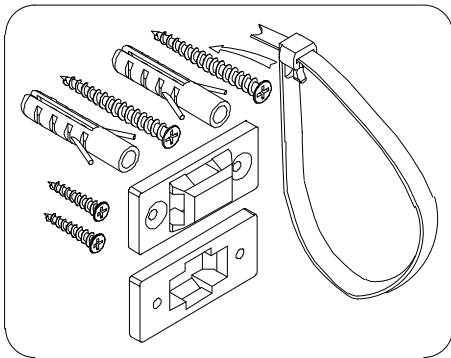


Φ21

D=6



E=12

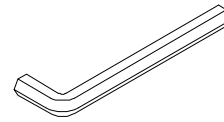


F=1

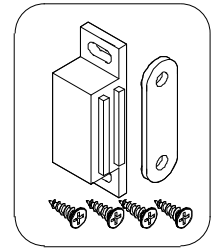


M6*16

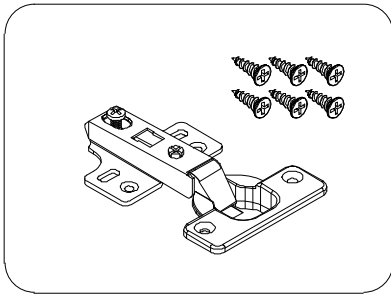
G1=10



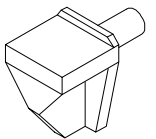
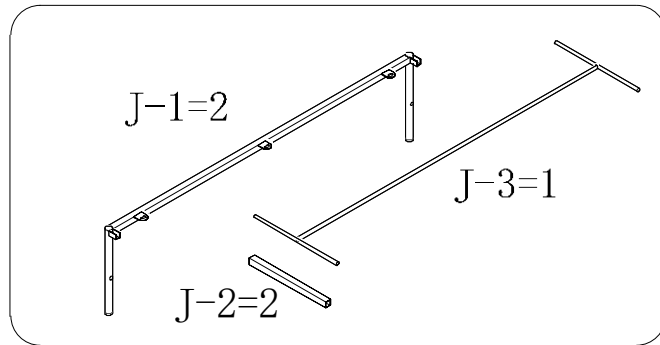
H =1



K=1



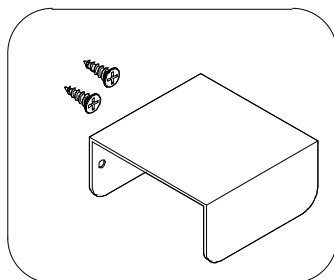
I1=2



L=8



Q=6



U=1

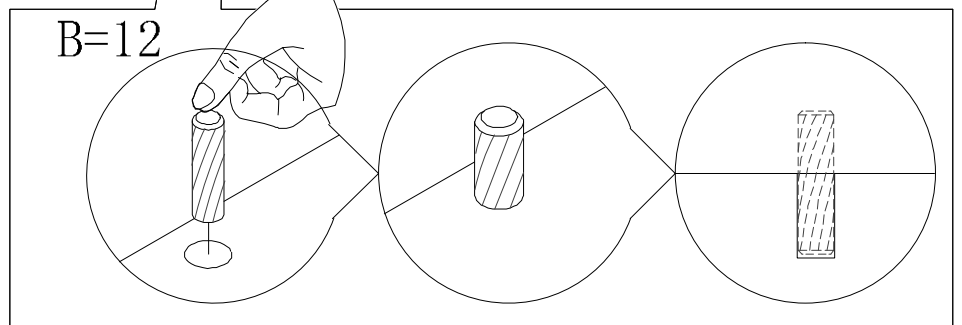
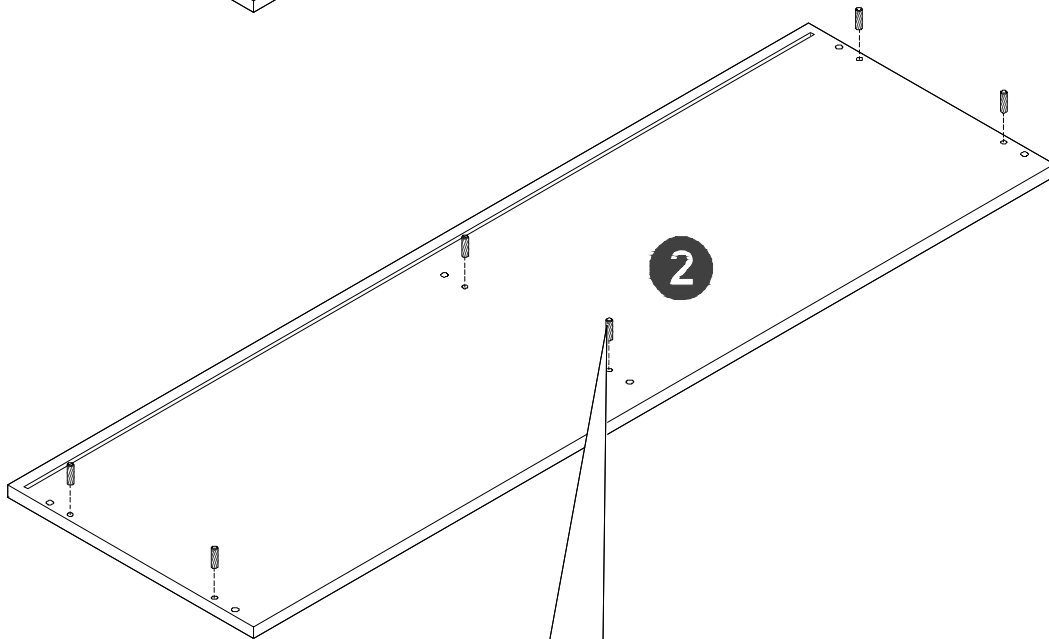
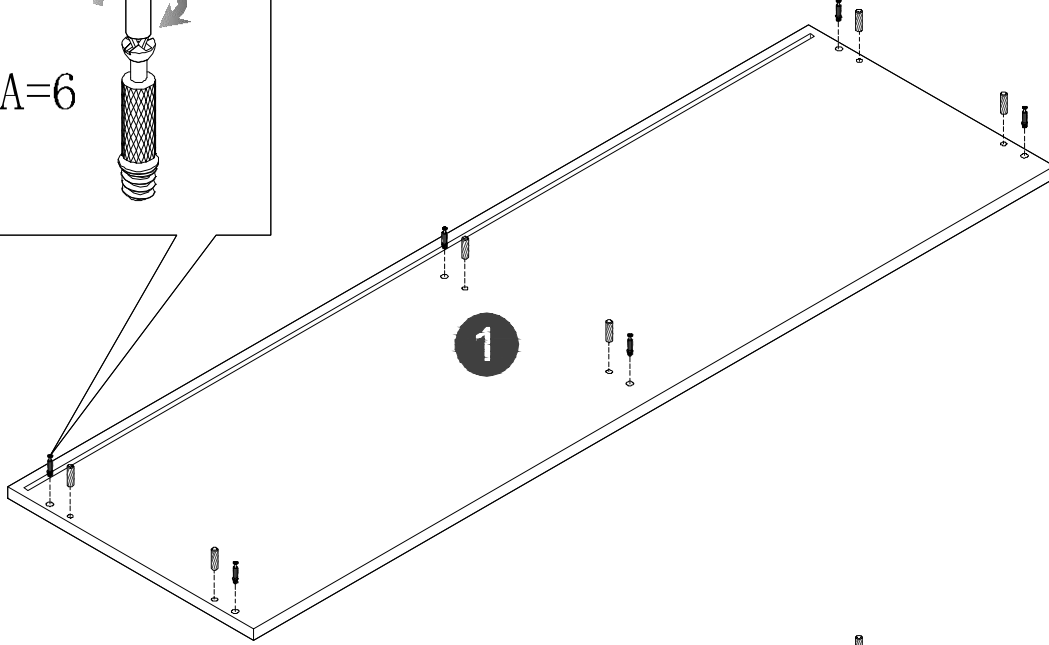
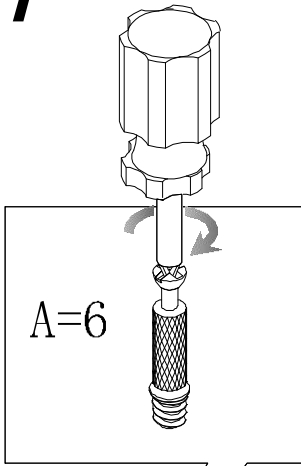


Z1=6

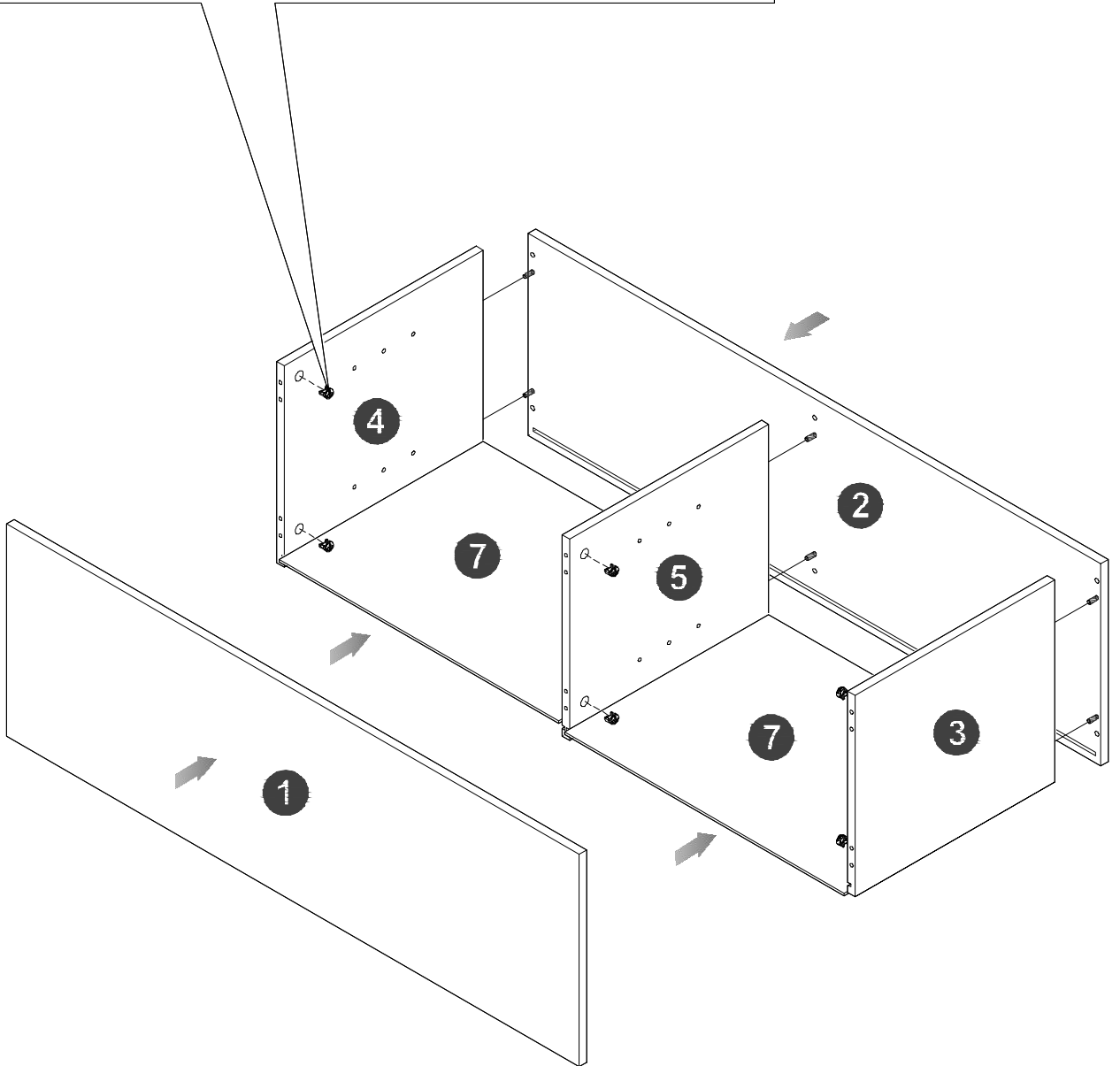
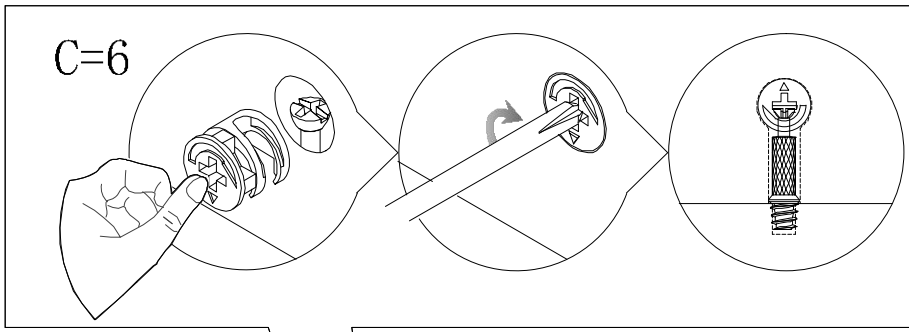


Z2=6

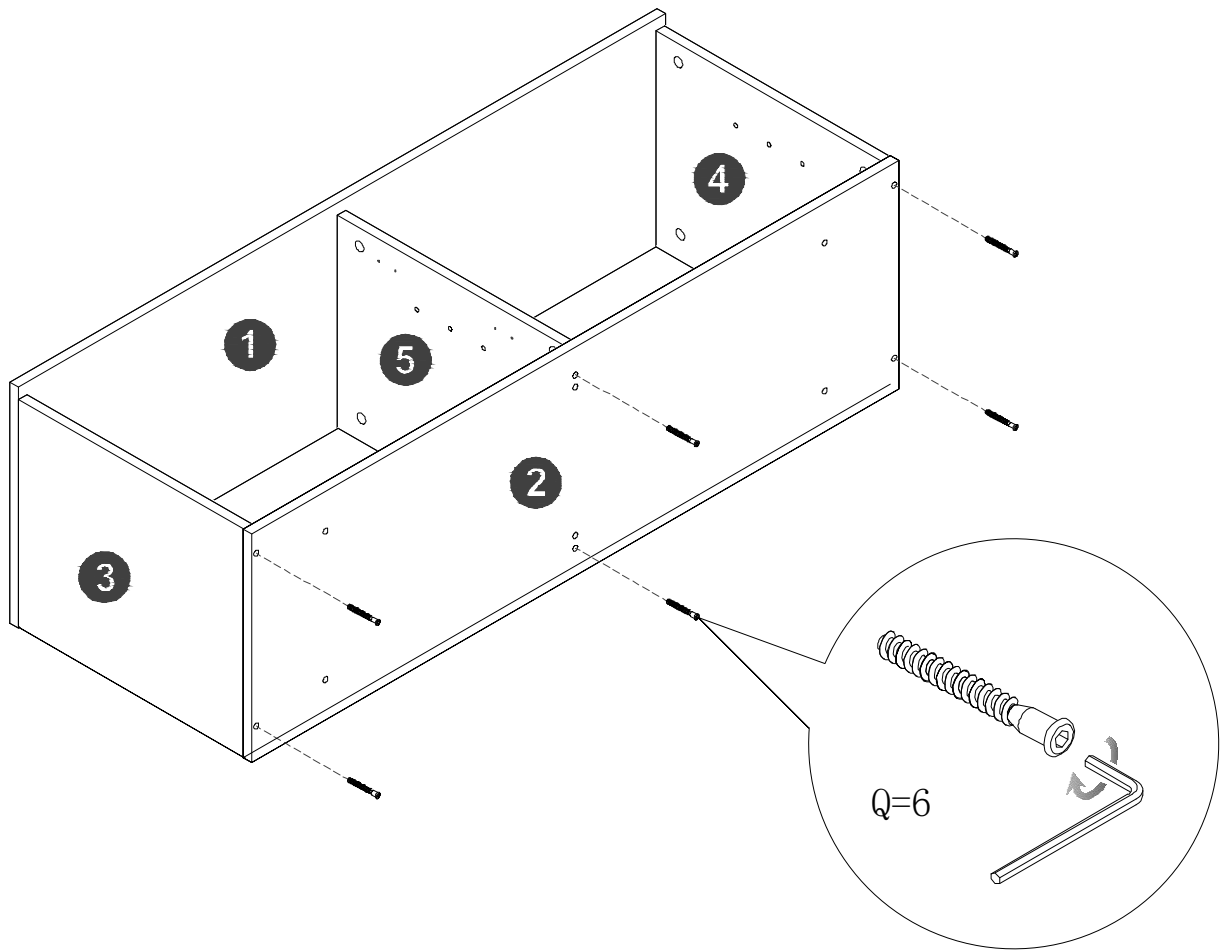
1



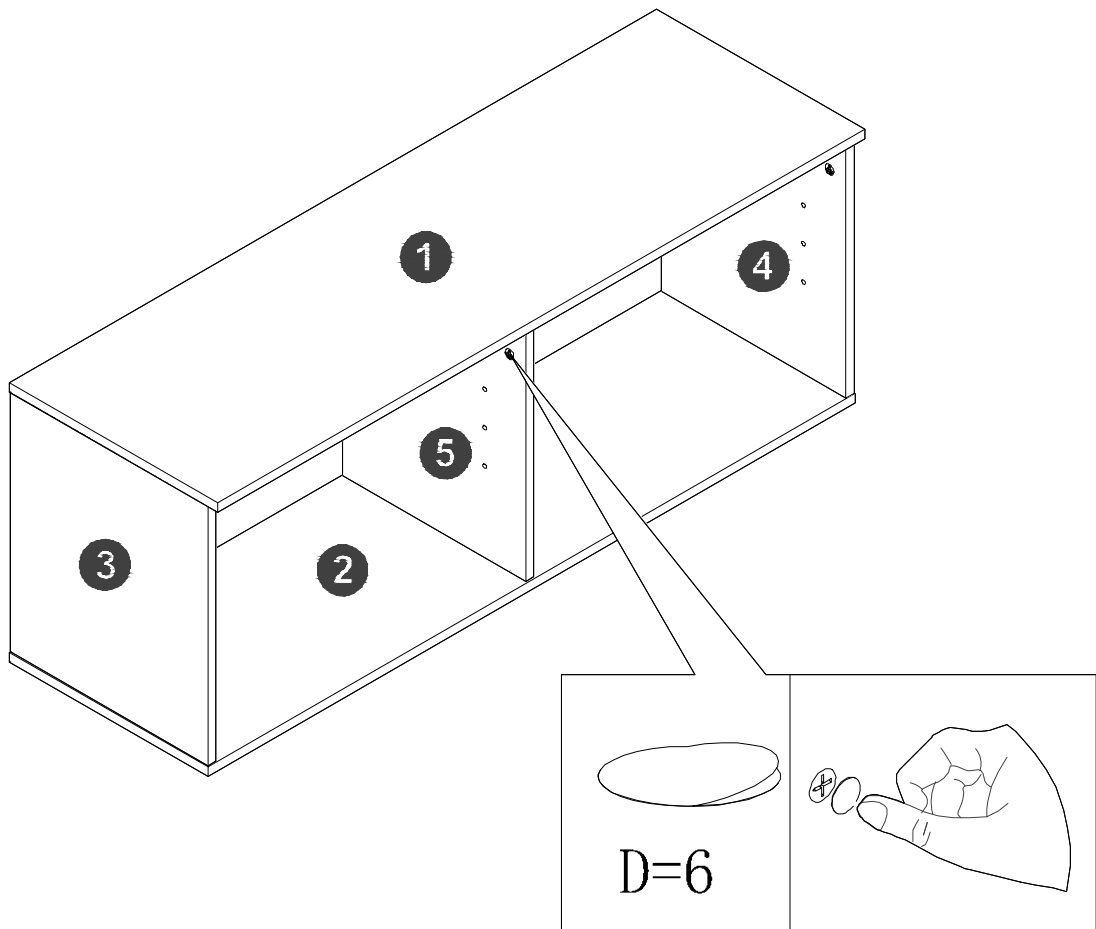
2



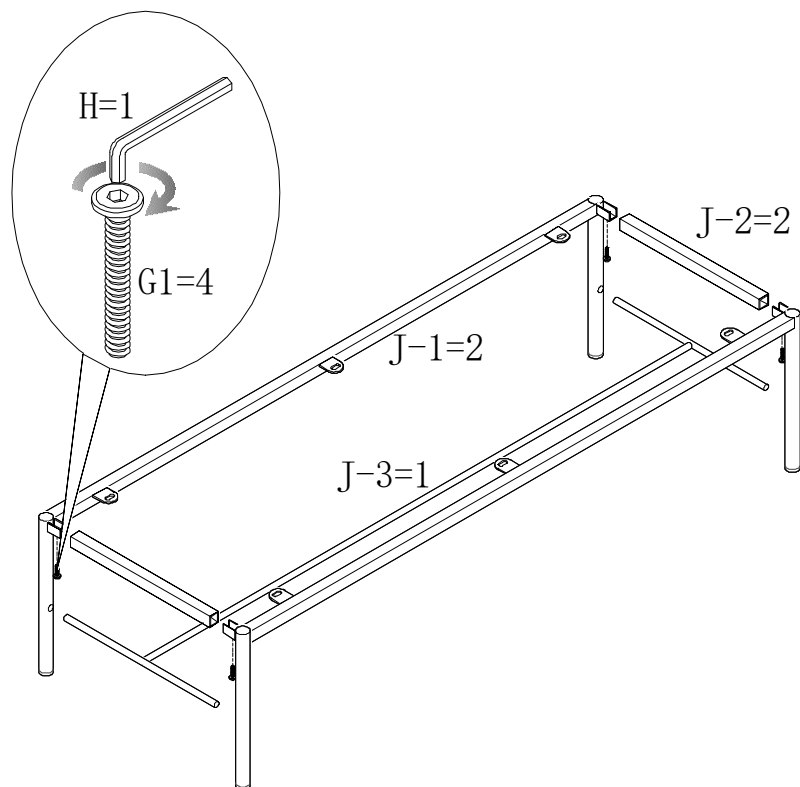
3



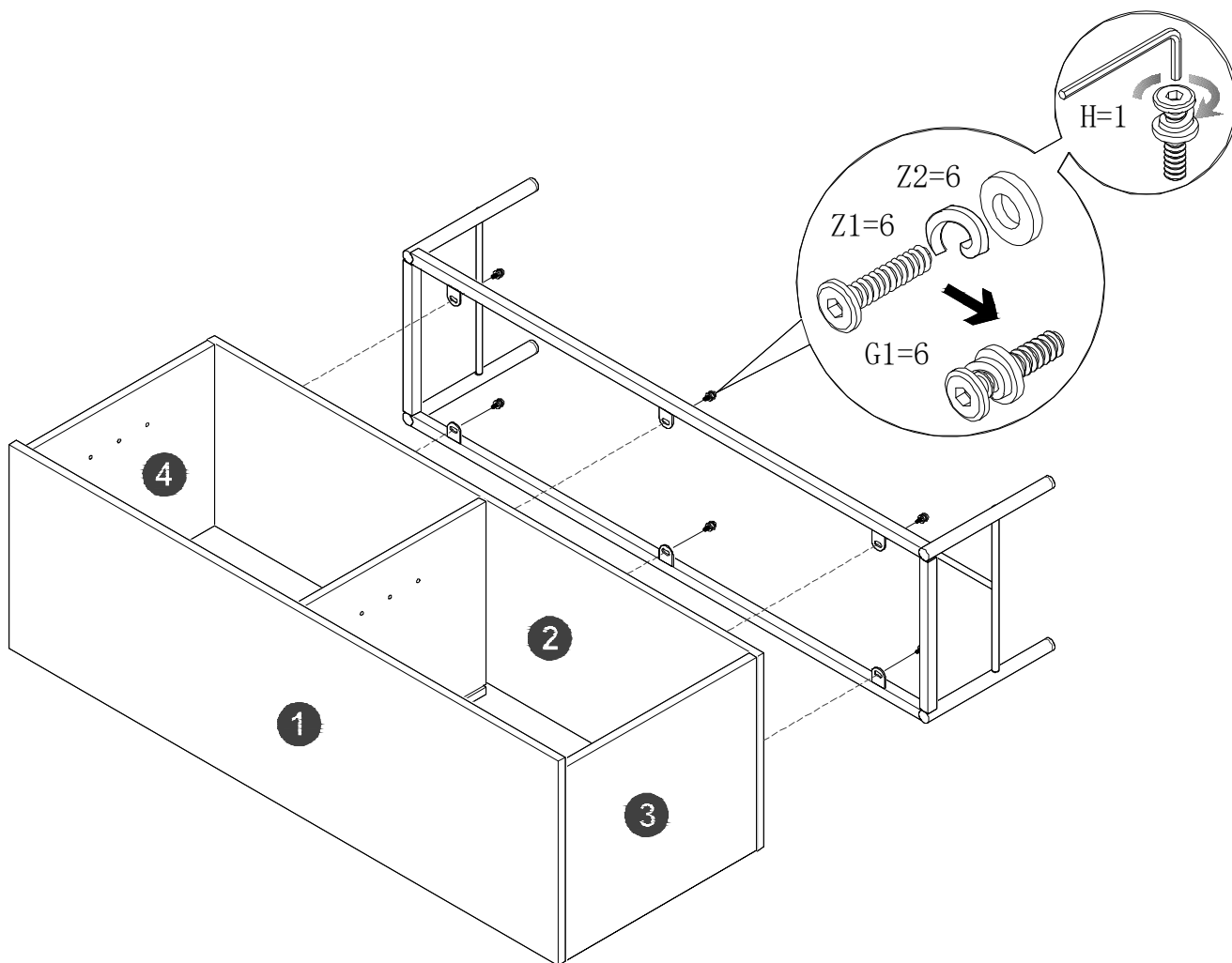
4



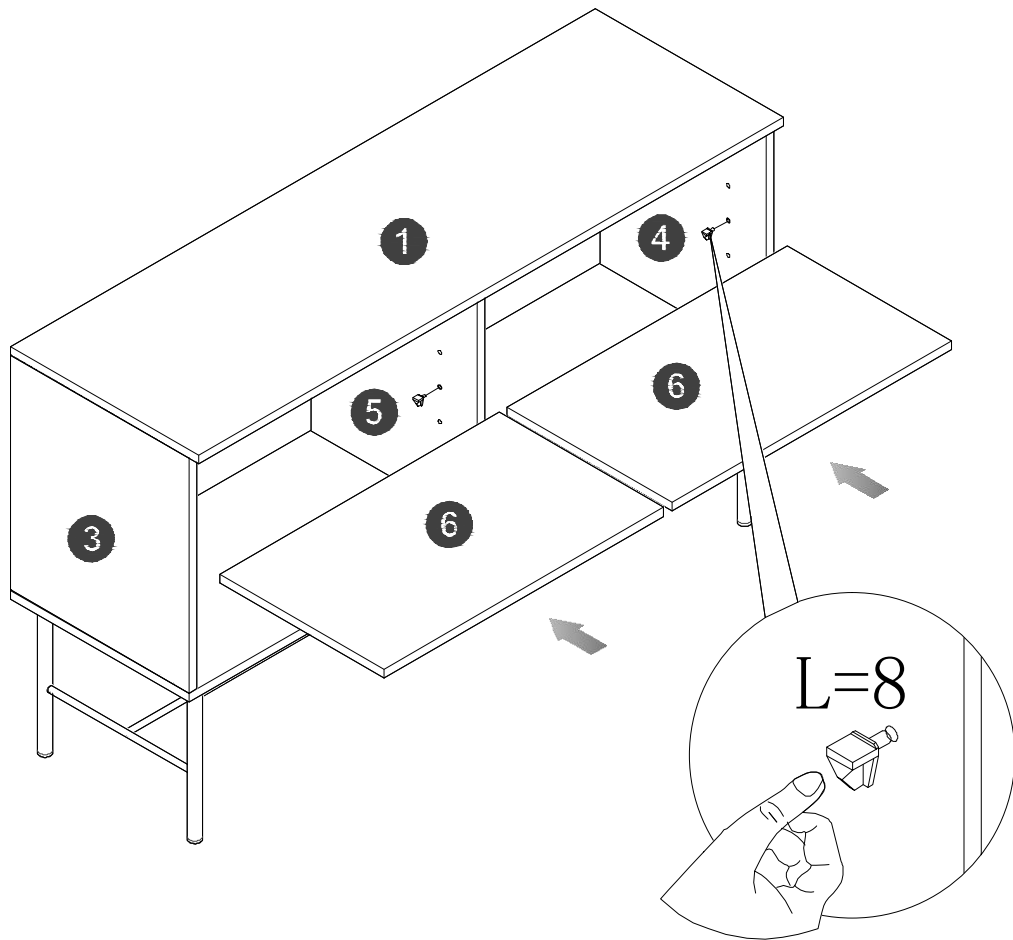
5



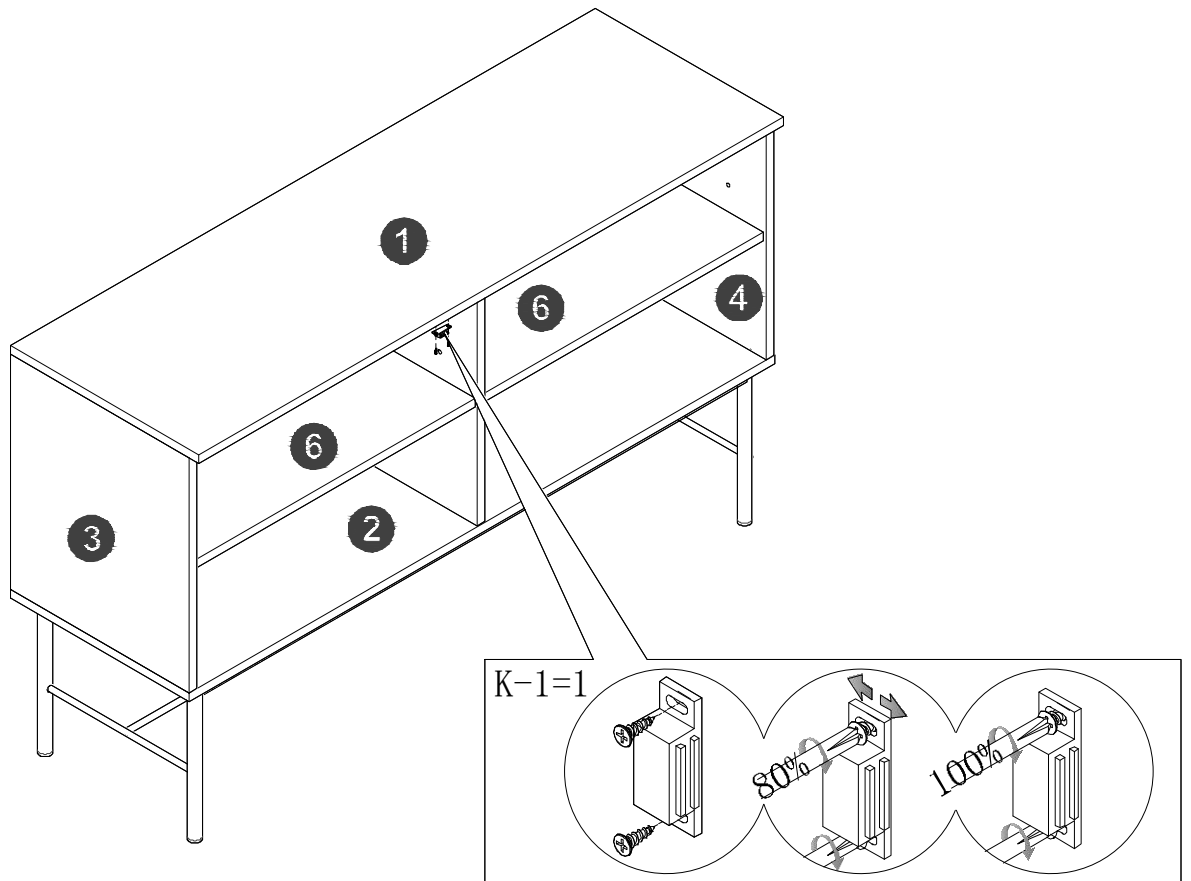
6



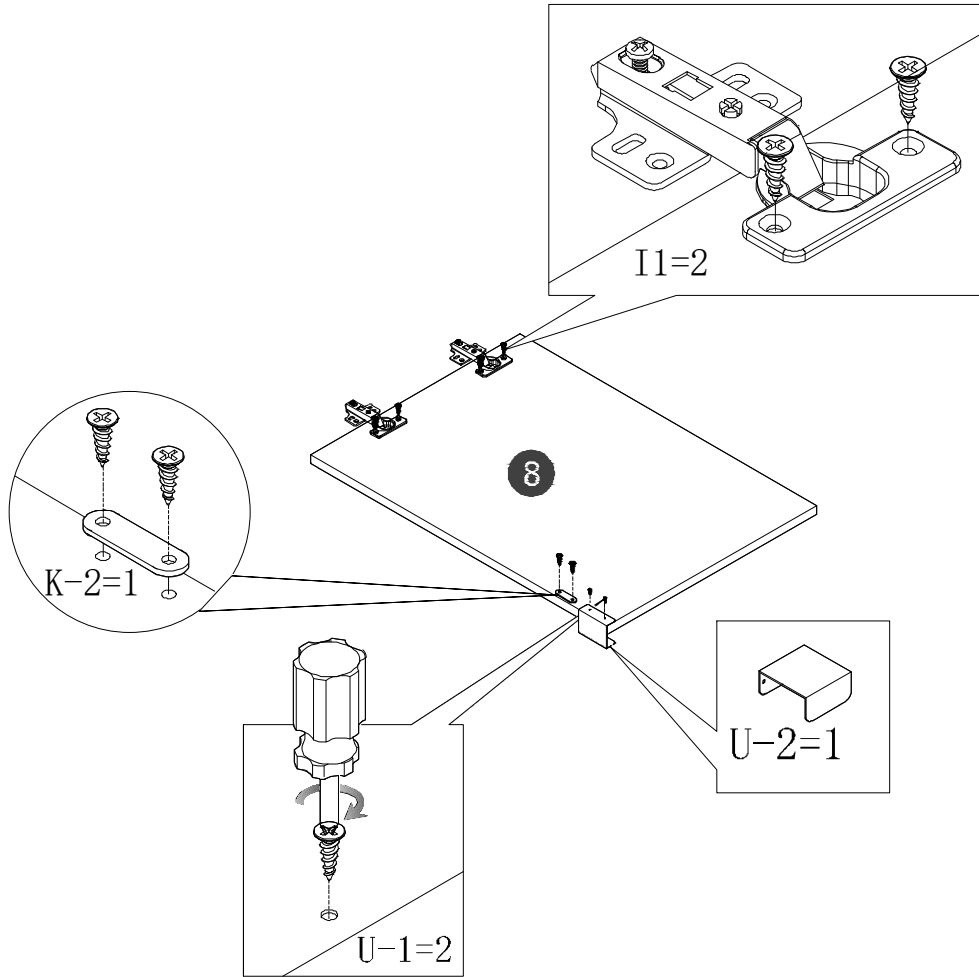
7



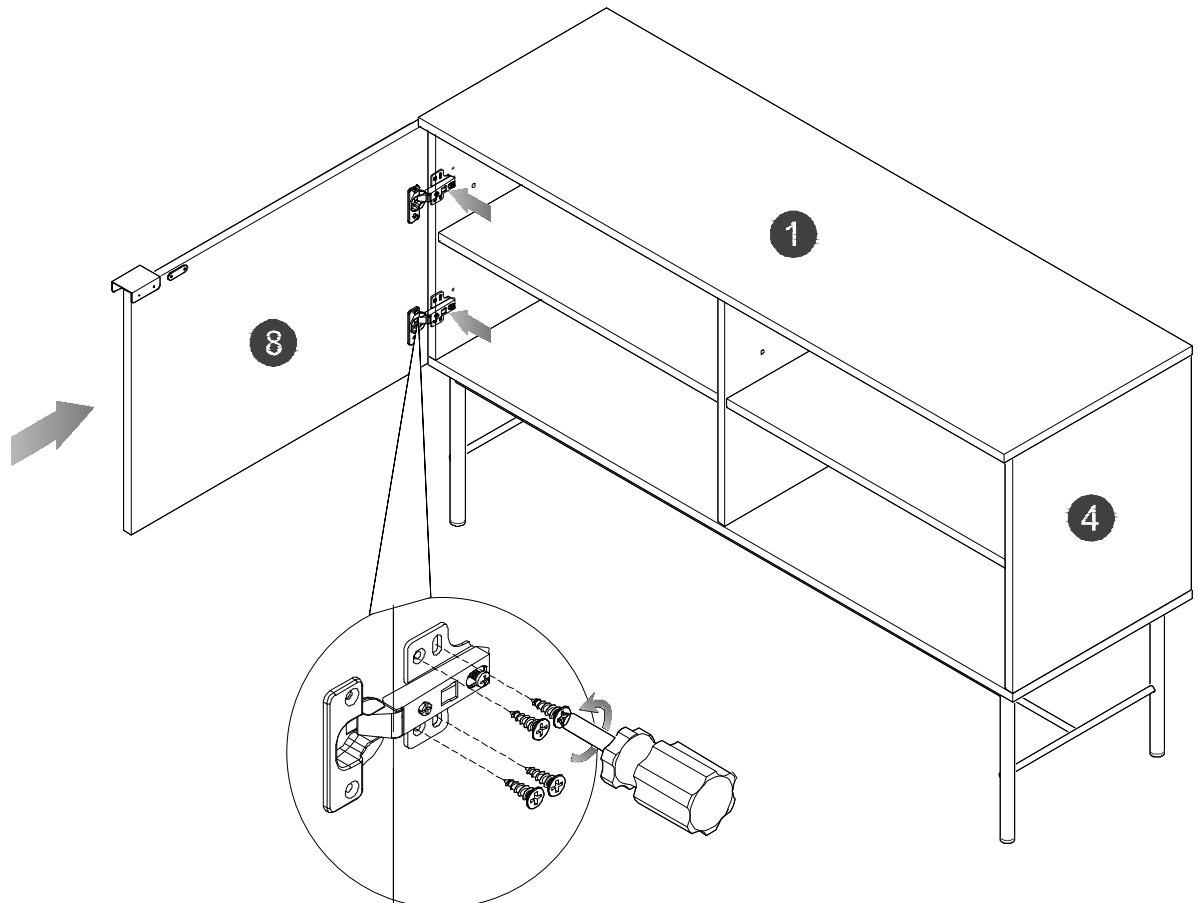
8



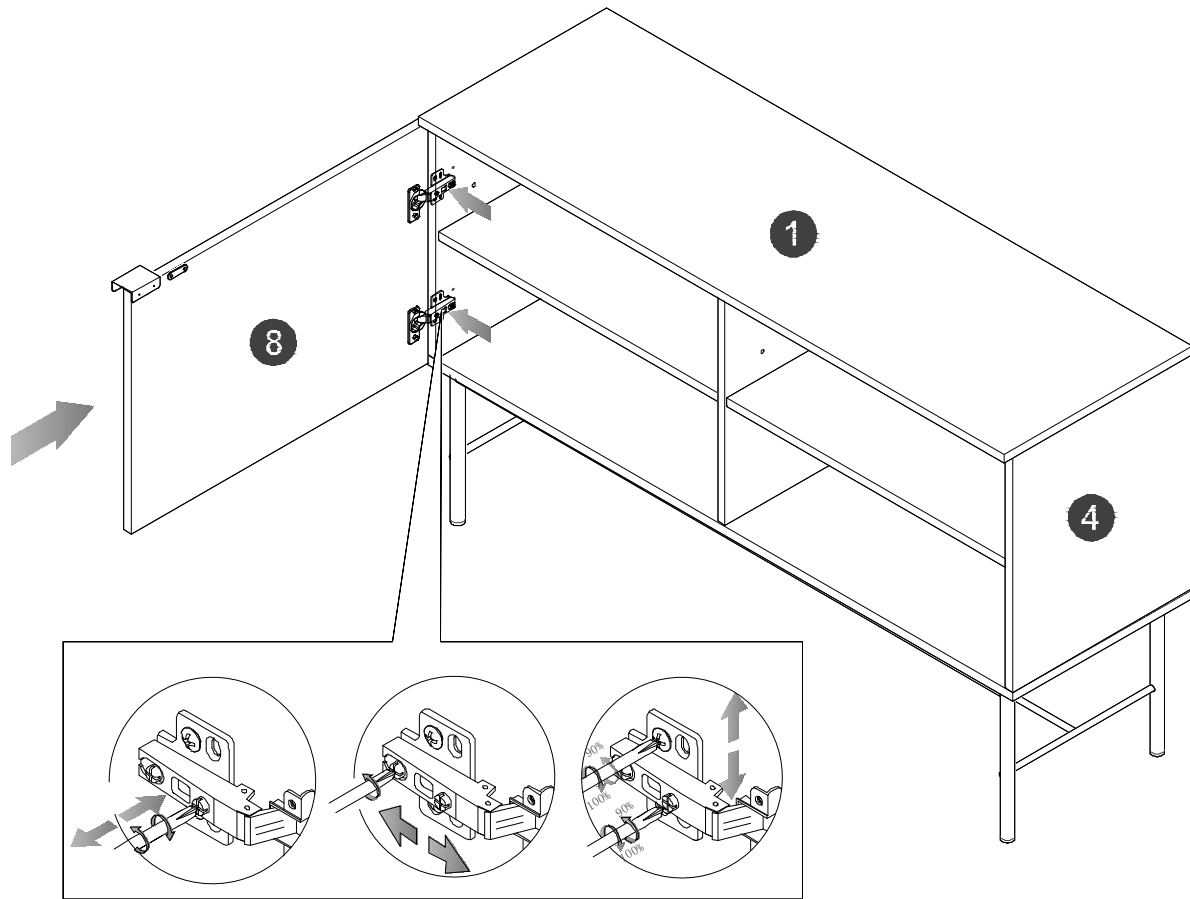
9



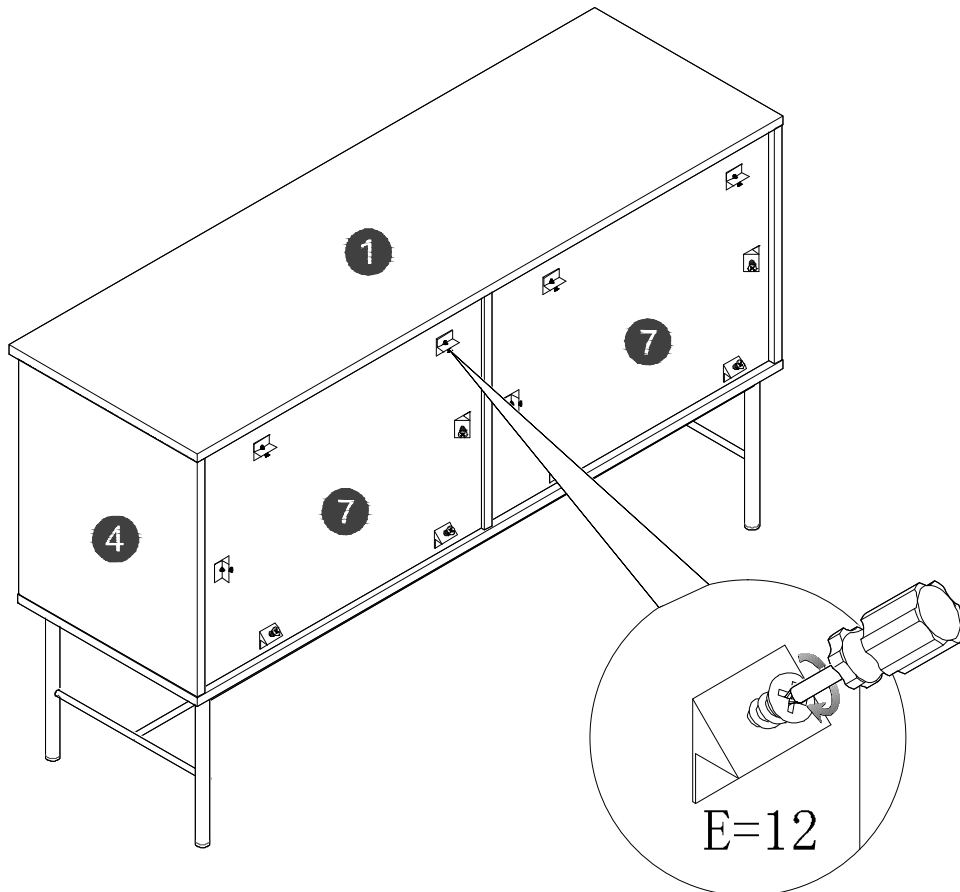
10

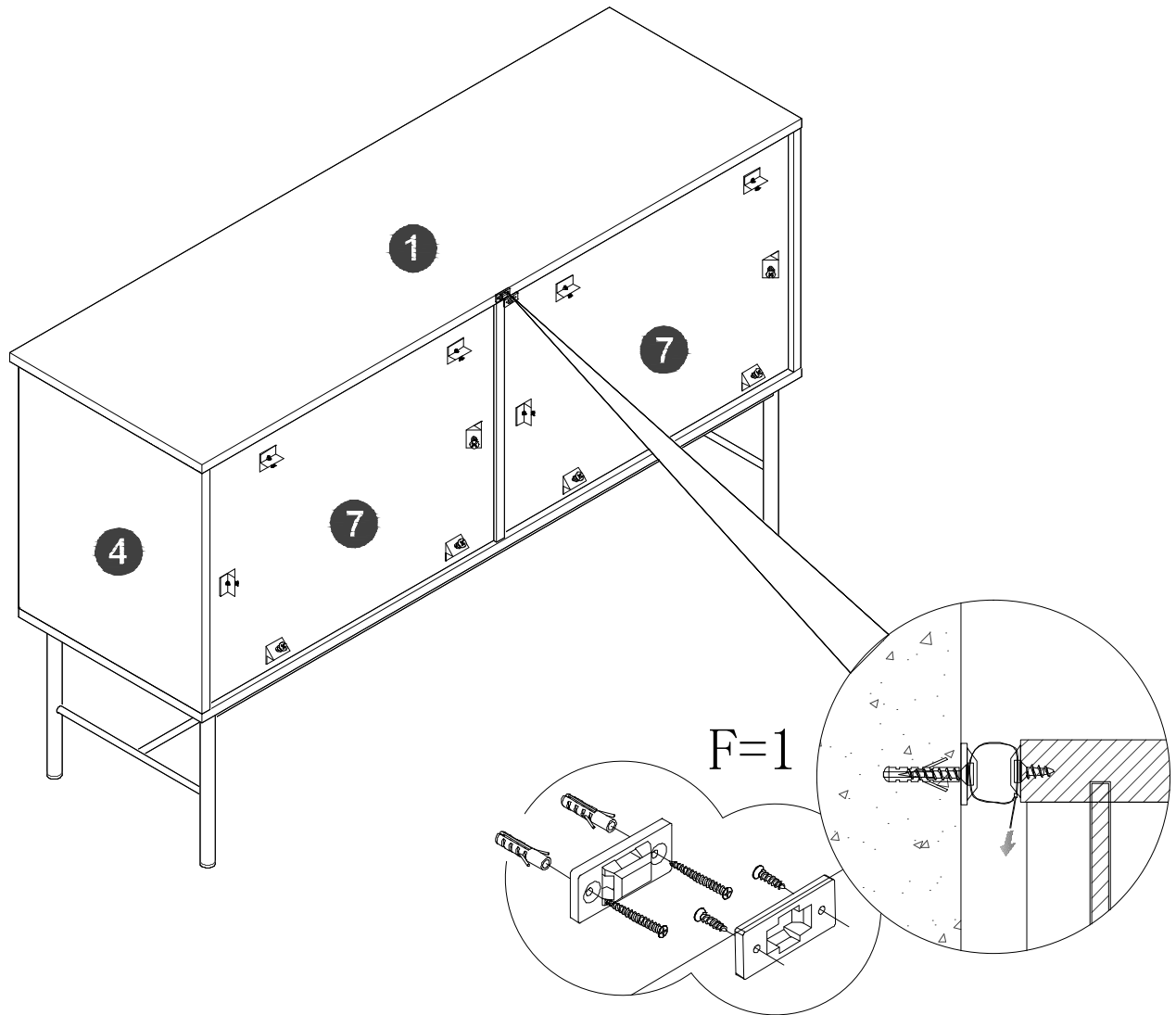


11

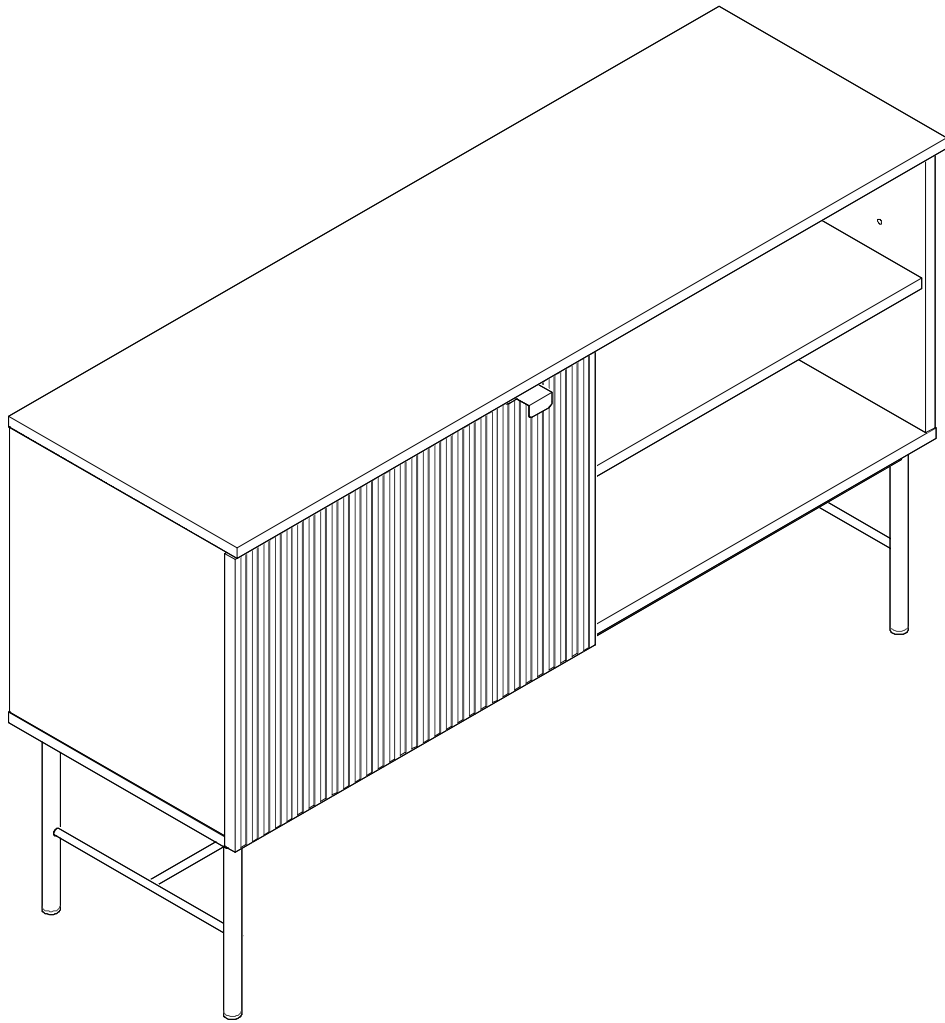


12





14



Finish