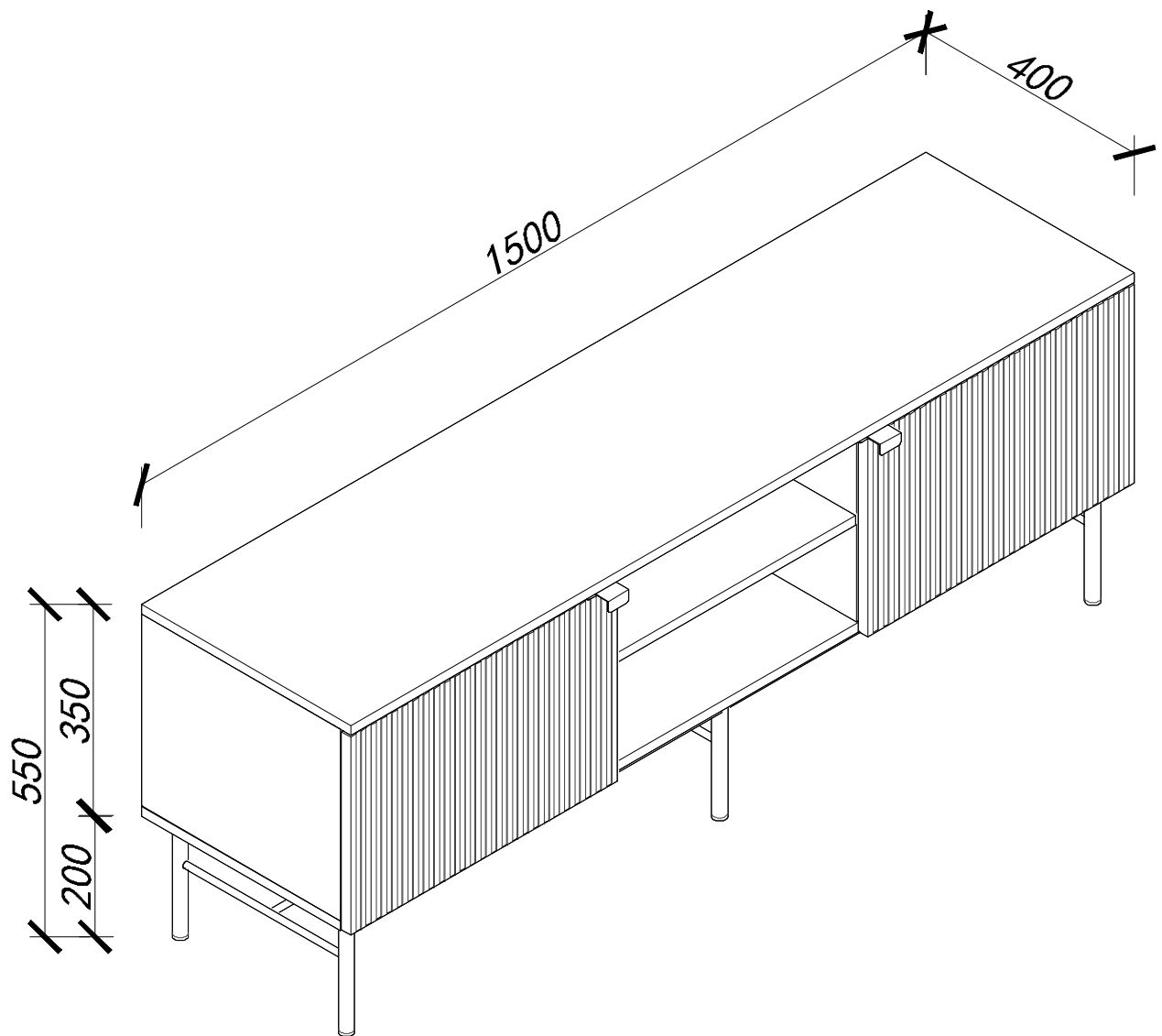
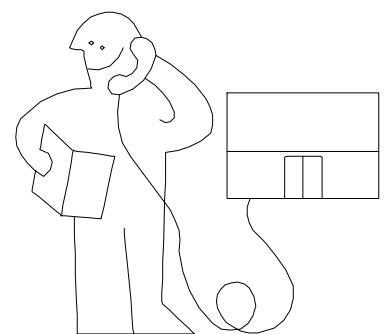
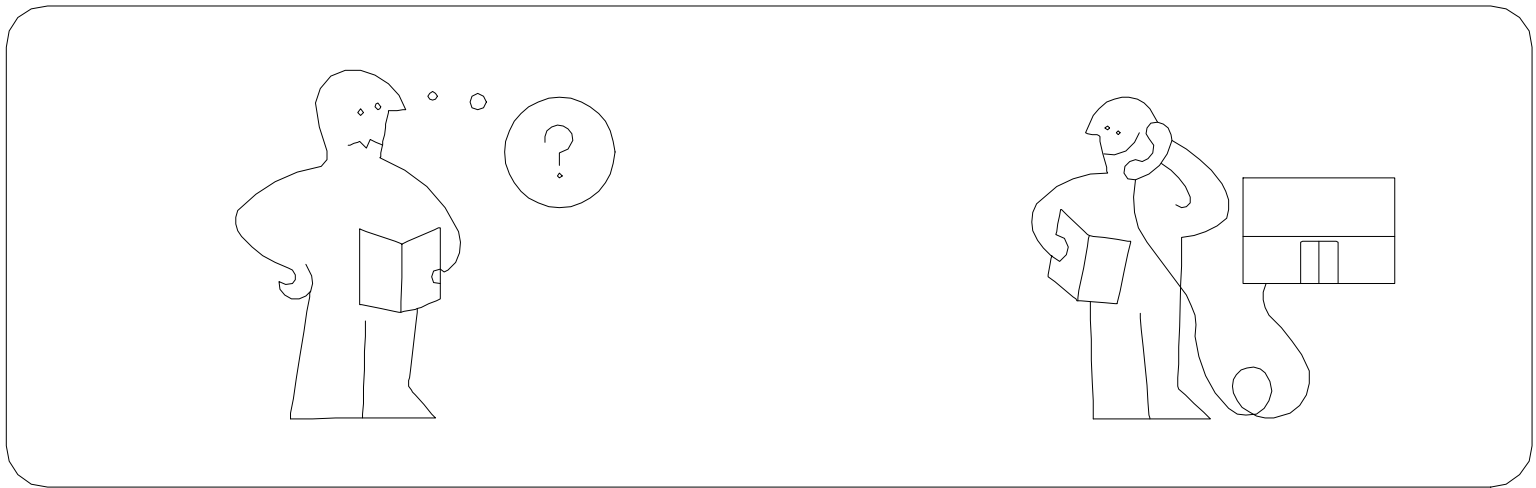
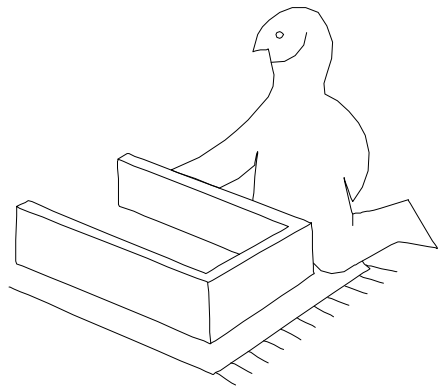
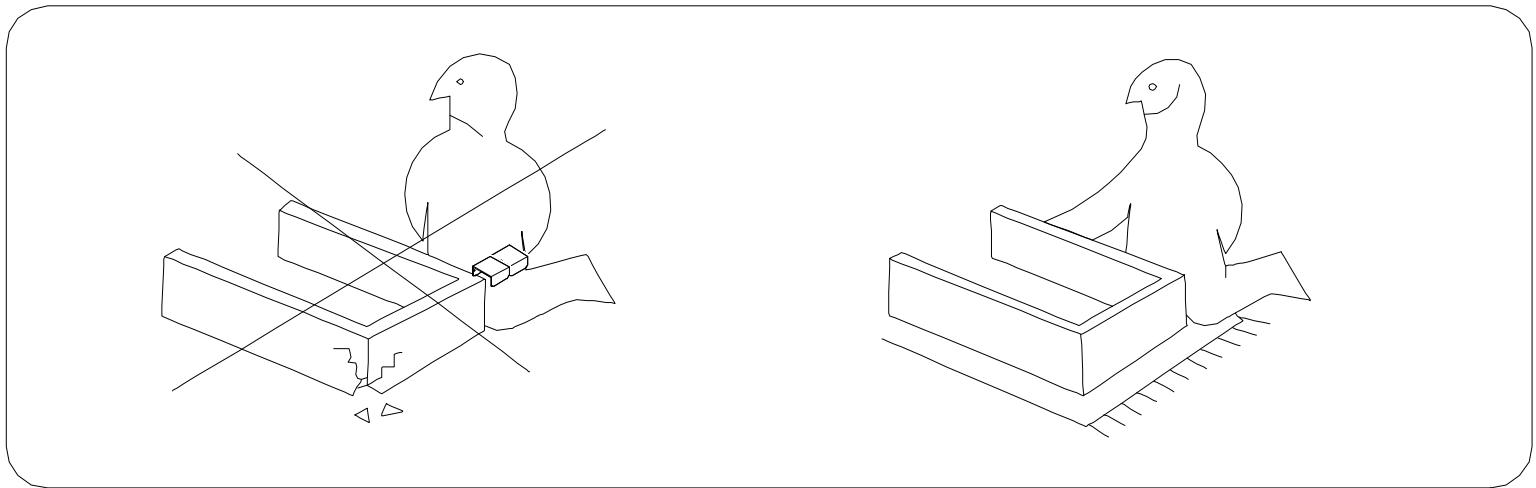
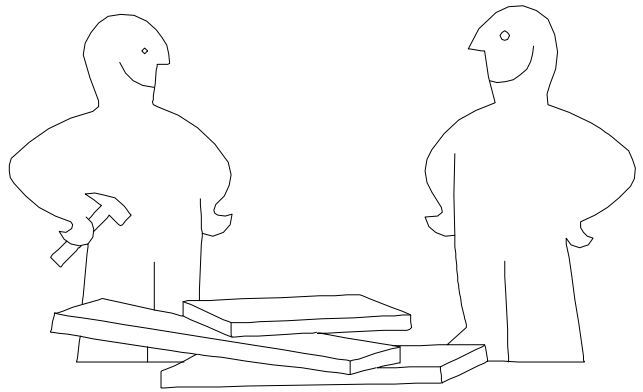
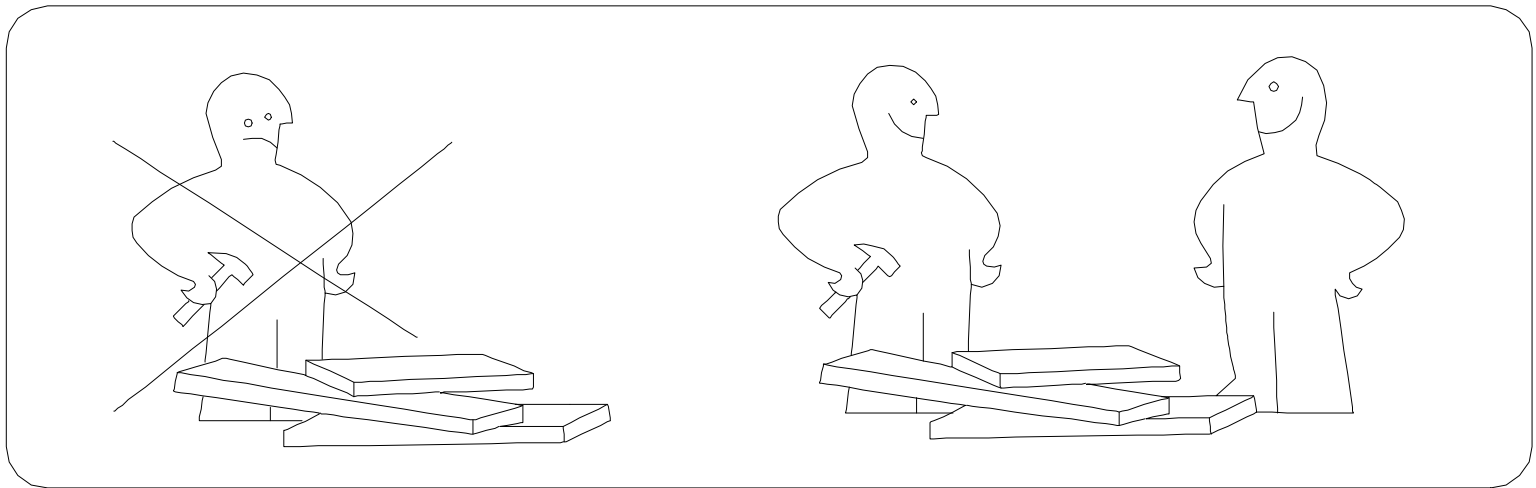
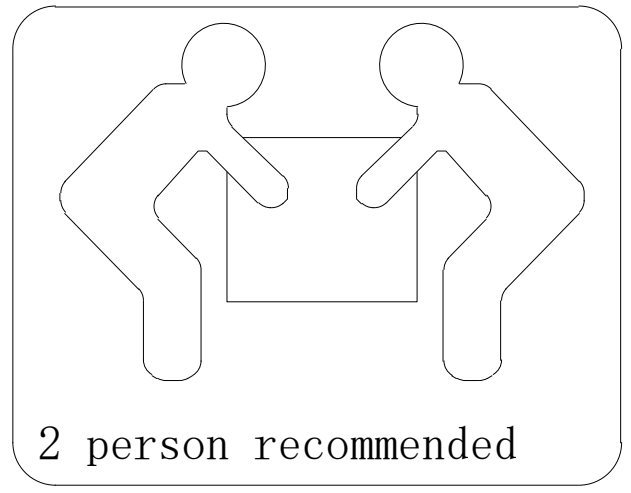
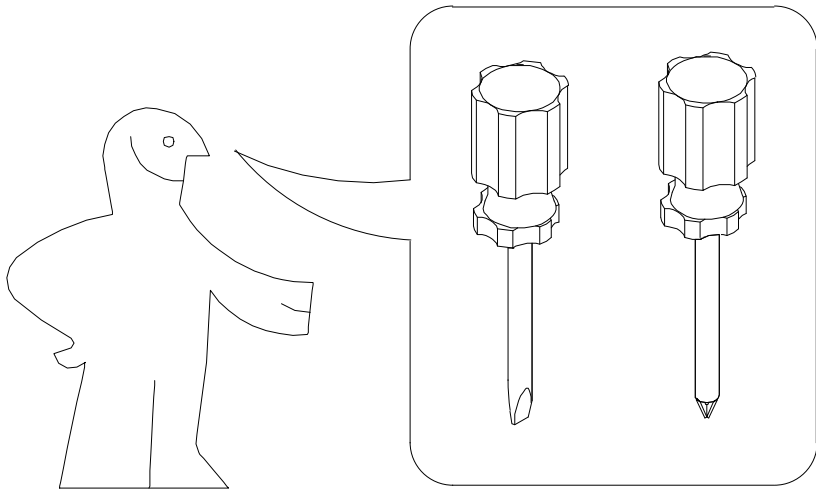


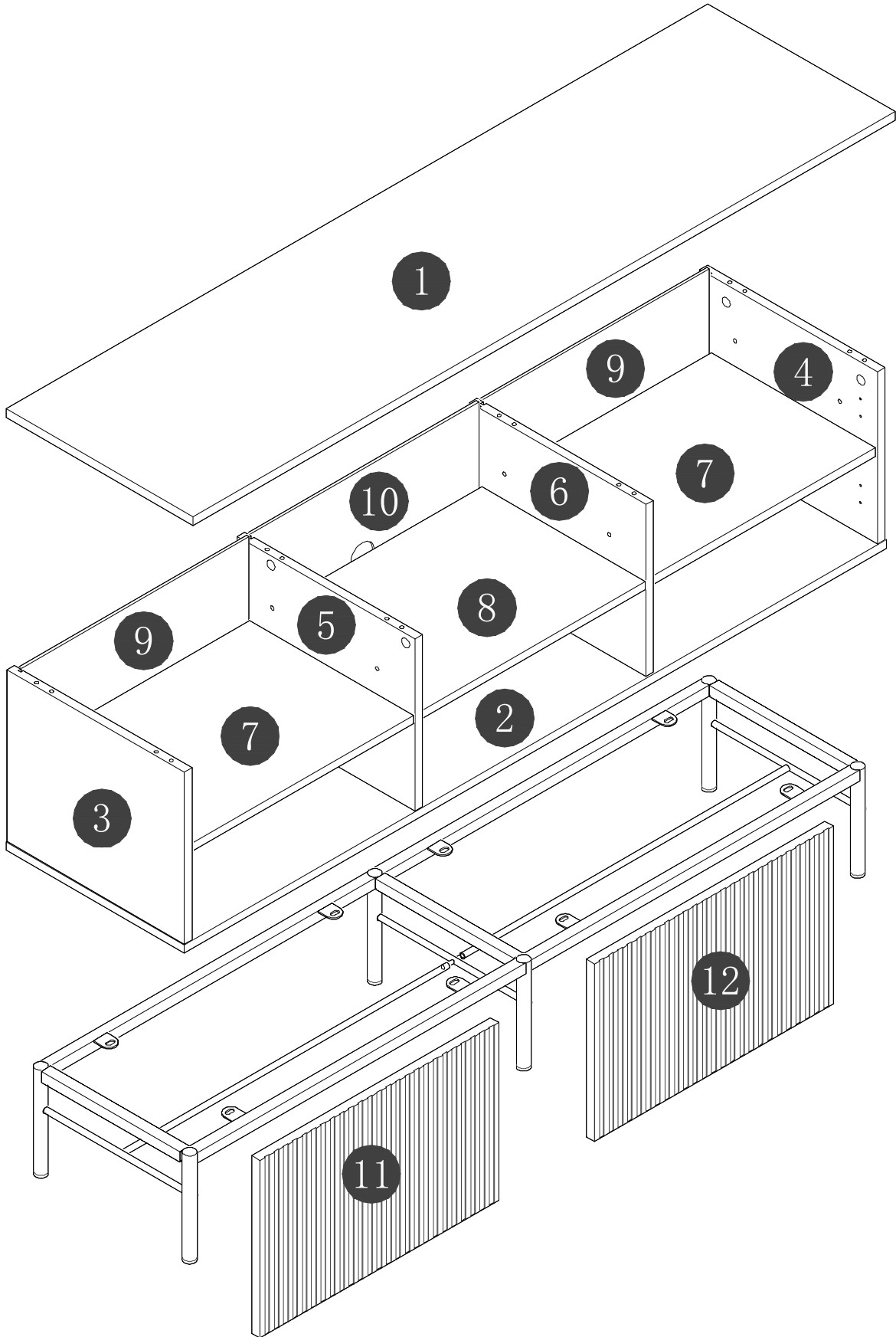
# Assembly Instruction





| Panel No | Panel Sizes | Quantity |
|----------|-------------|----------|
| 1        | 1500*400*16 | 1        |
| 2        | 1500*381*16 | 1        |
| 3        | 318*380*16  | 1        |
| 4        | 318*380*16  | 1        |
| 5        | 318*378*16  | 1        |
| 6        | 318*378*16  | 1        |

| Panel No | Panel Sizes | Quantity |
|----------|-------------|----------|
| 7        | 474*350*16  | 2        |
| 8        | 477*350*16  | 1        |
| 9        | 487*328*5   | 2        |
| 10       | 490*328*5   | 1        |
| 11       | 510*329*18  | 1        |
| 12       | 510*329*18  | 1        |



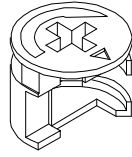
# Fittings



A=8



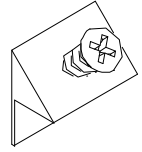
B=16



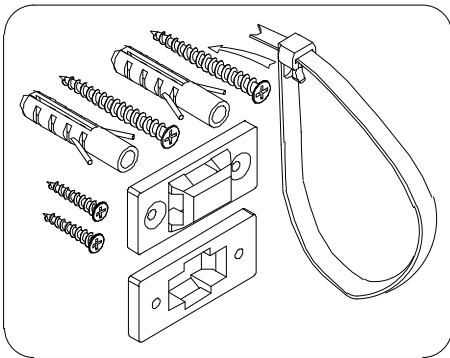
C=8



D=8



E=12

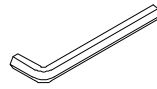


F=1

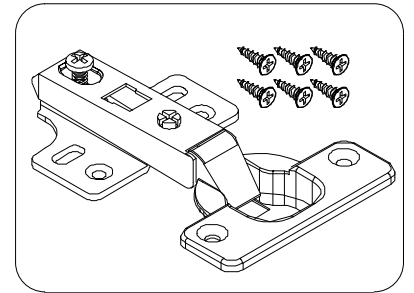


M6\*16

G1=14



H=1

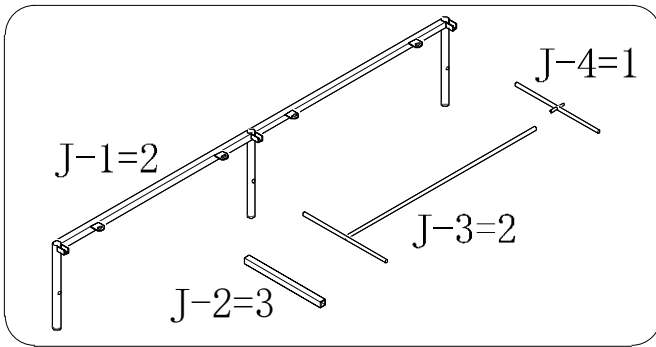


I1=4



M5\*8

G2=2

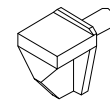


J-1=2

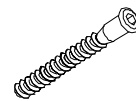
J-4=1

J-3=2

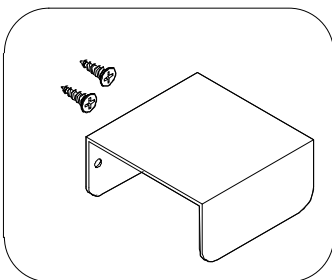
J-2=3



L=12



Q=8



U=2

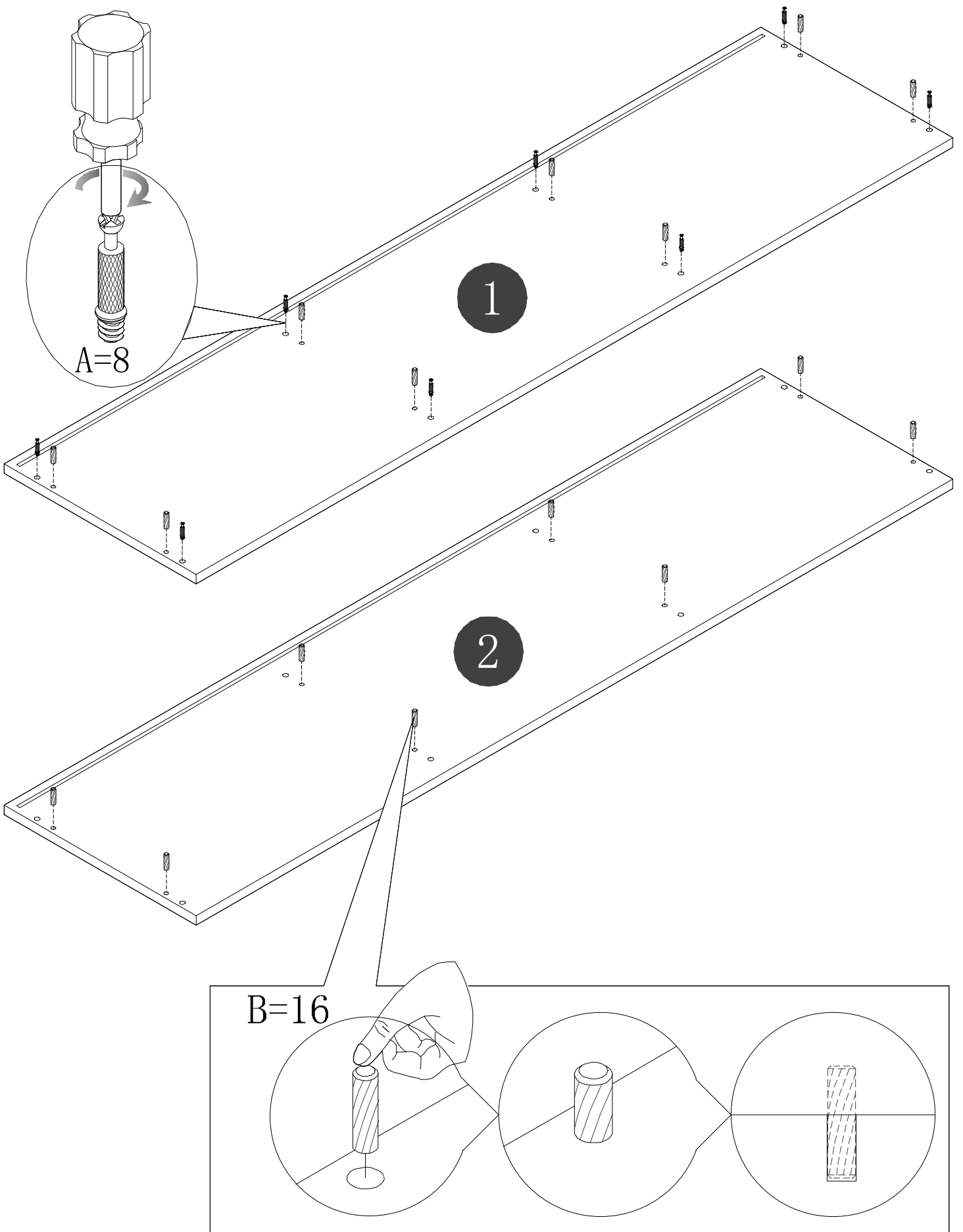


Z1=8

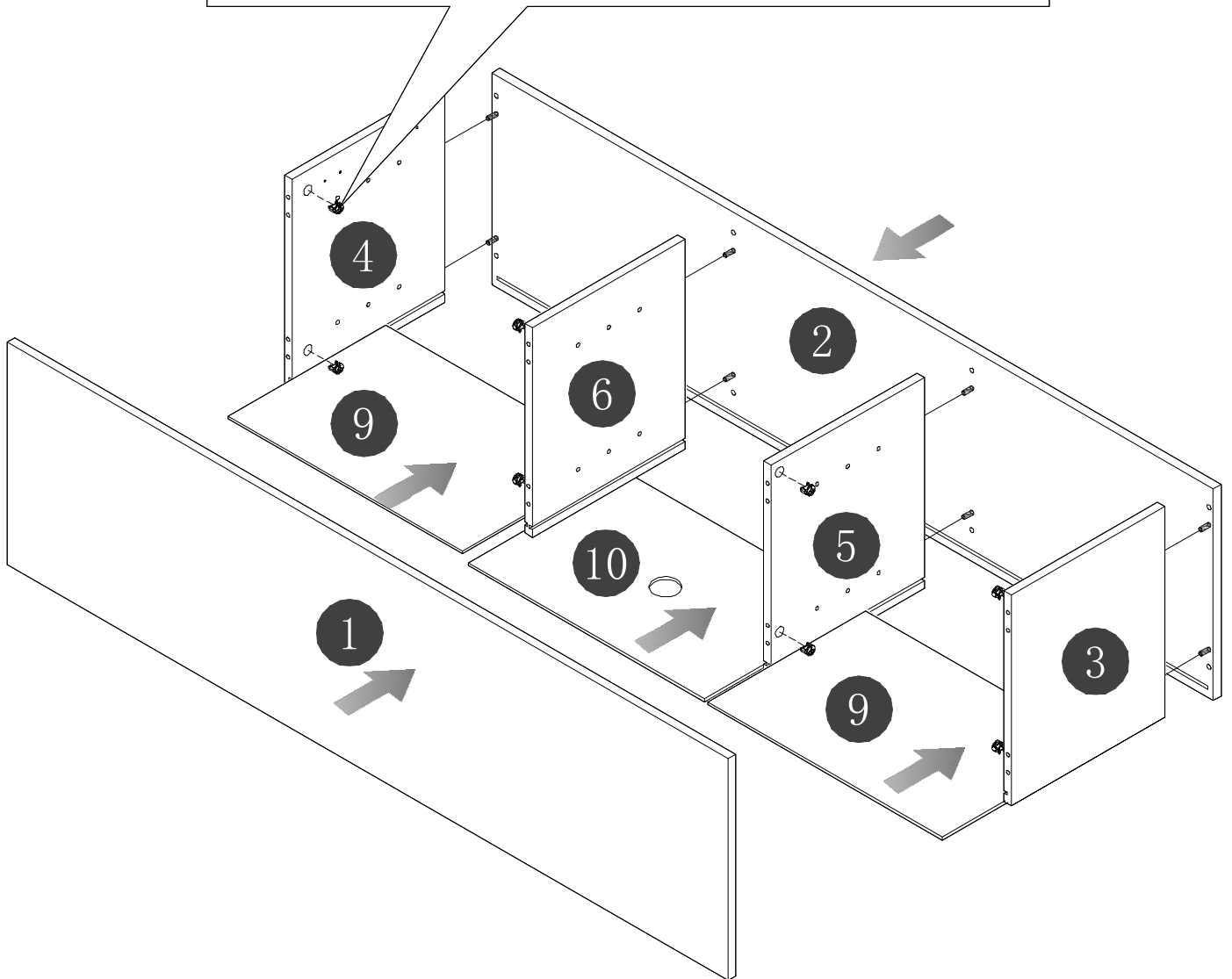
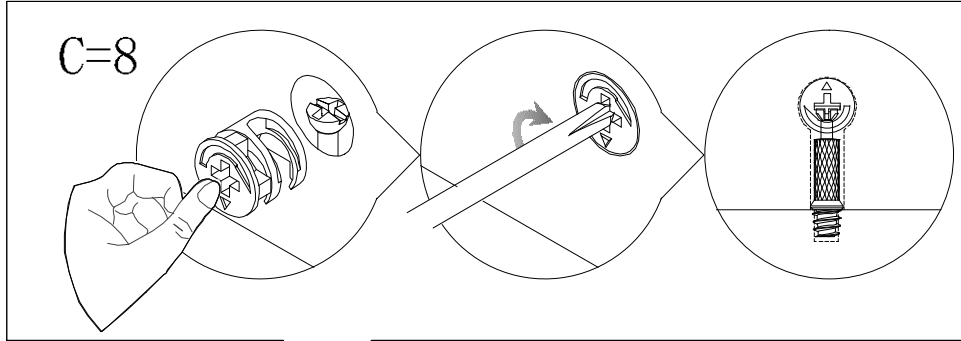


Z2=8

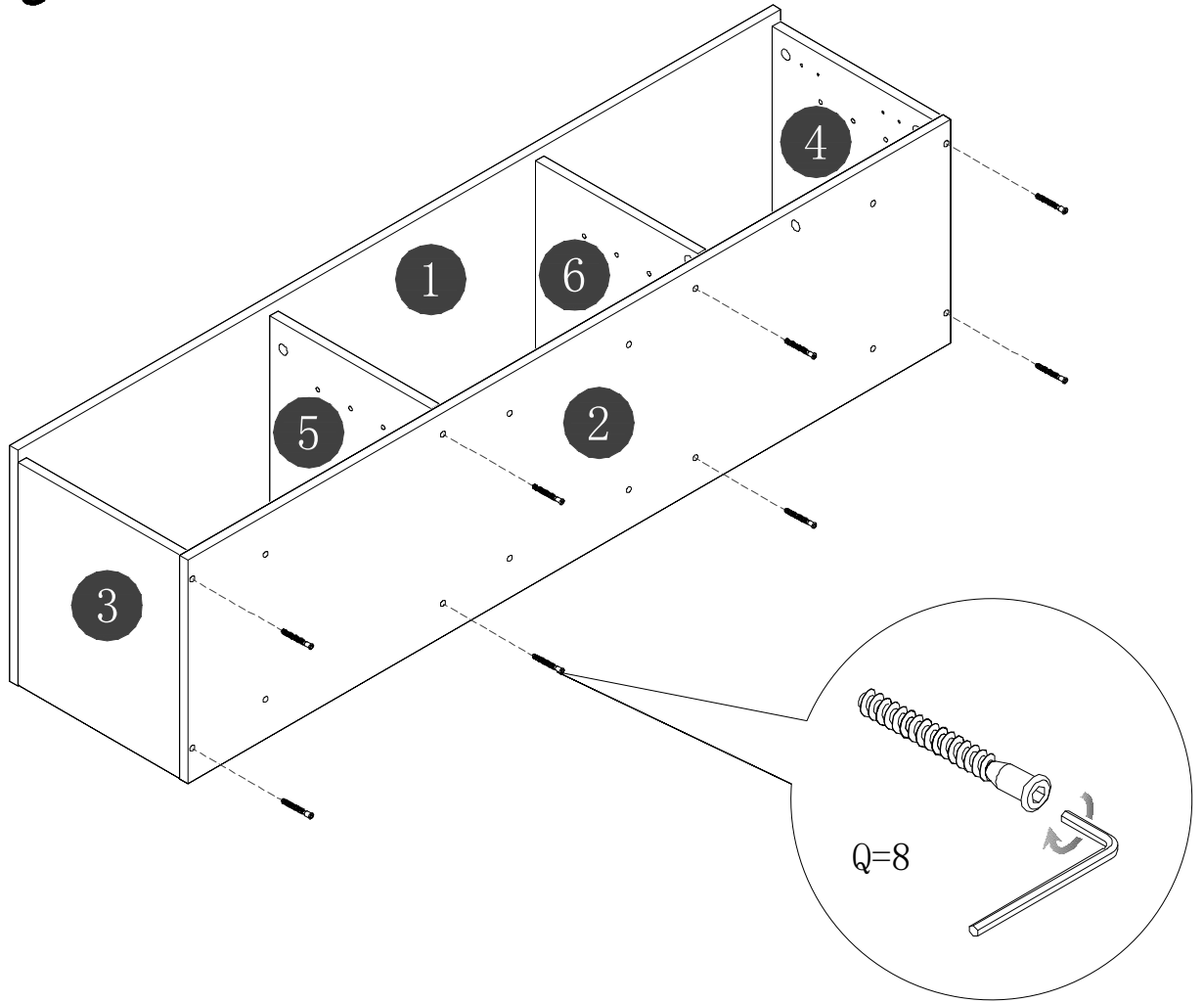
# STEP 1



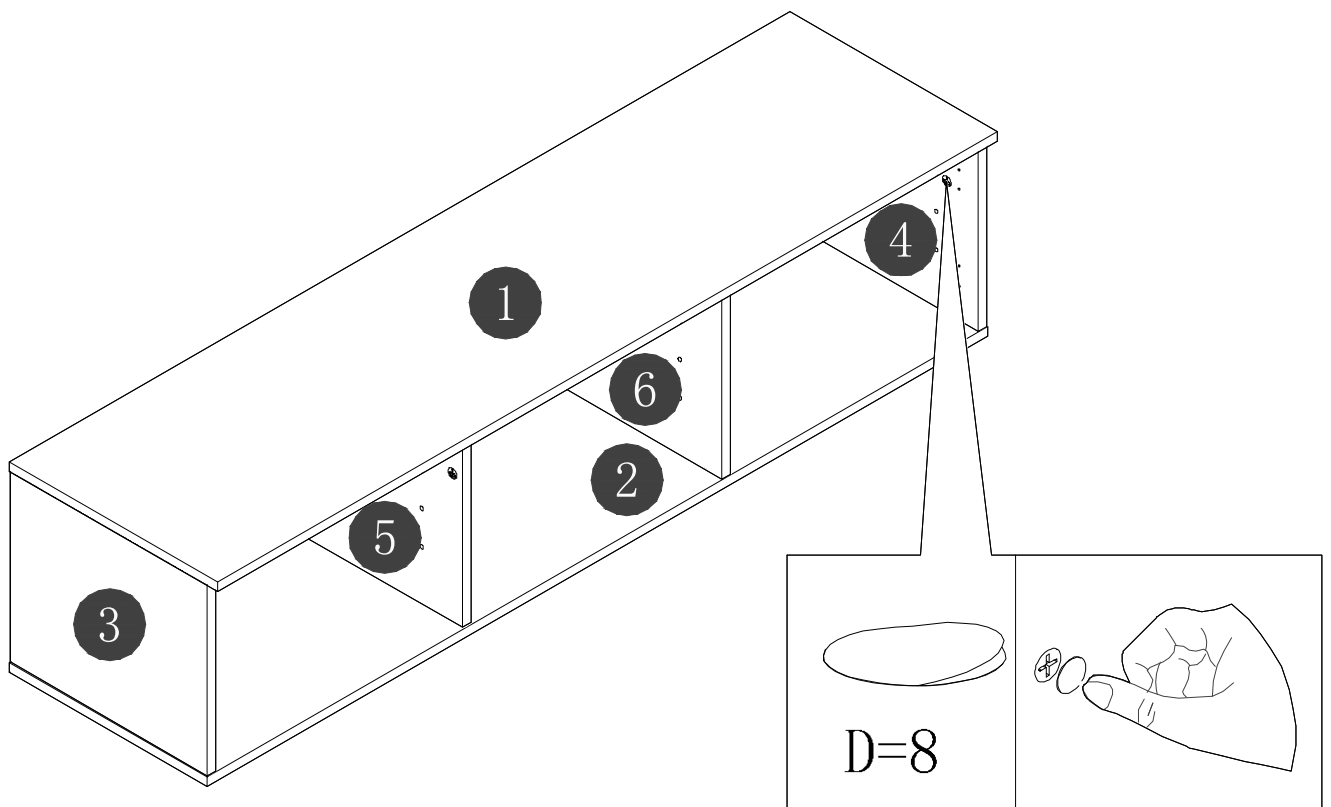
# STEP 2



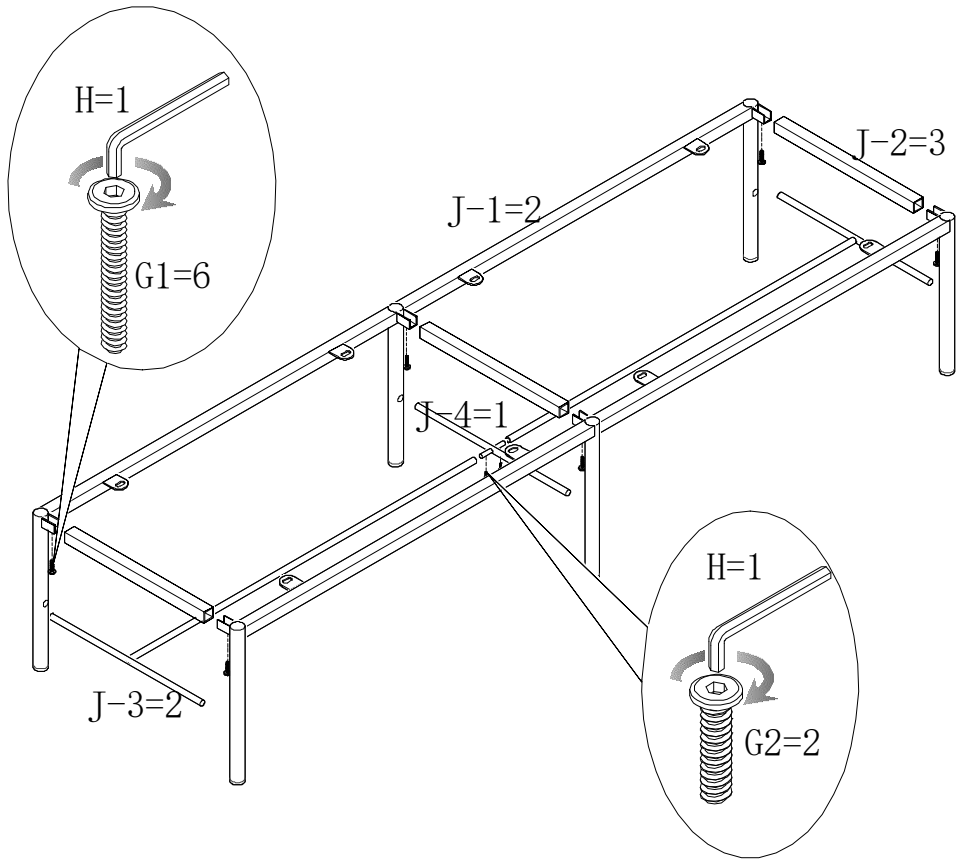
# STEP 3



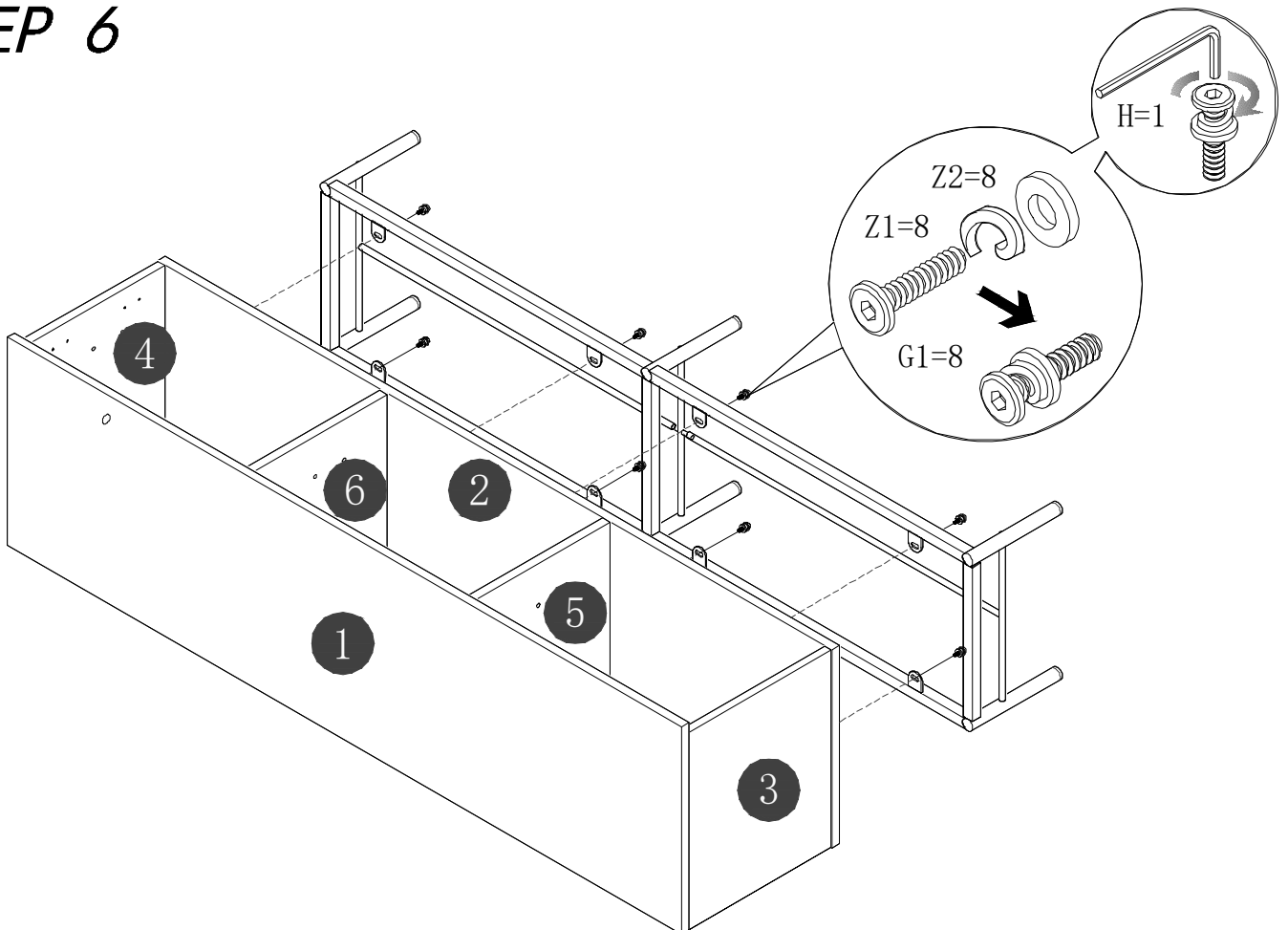
# STEP 4



# STEP 5

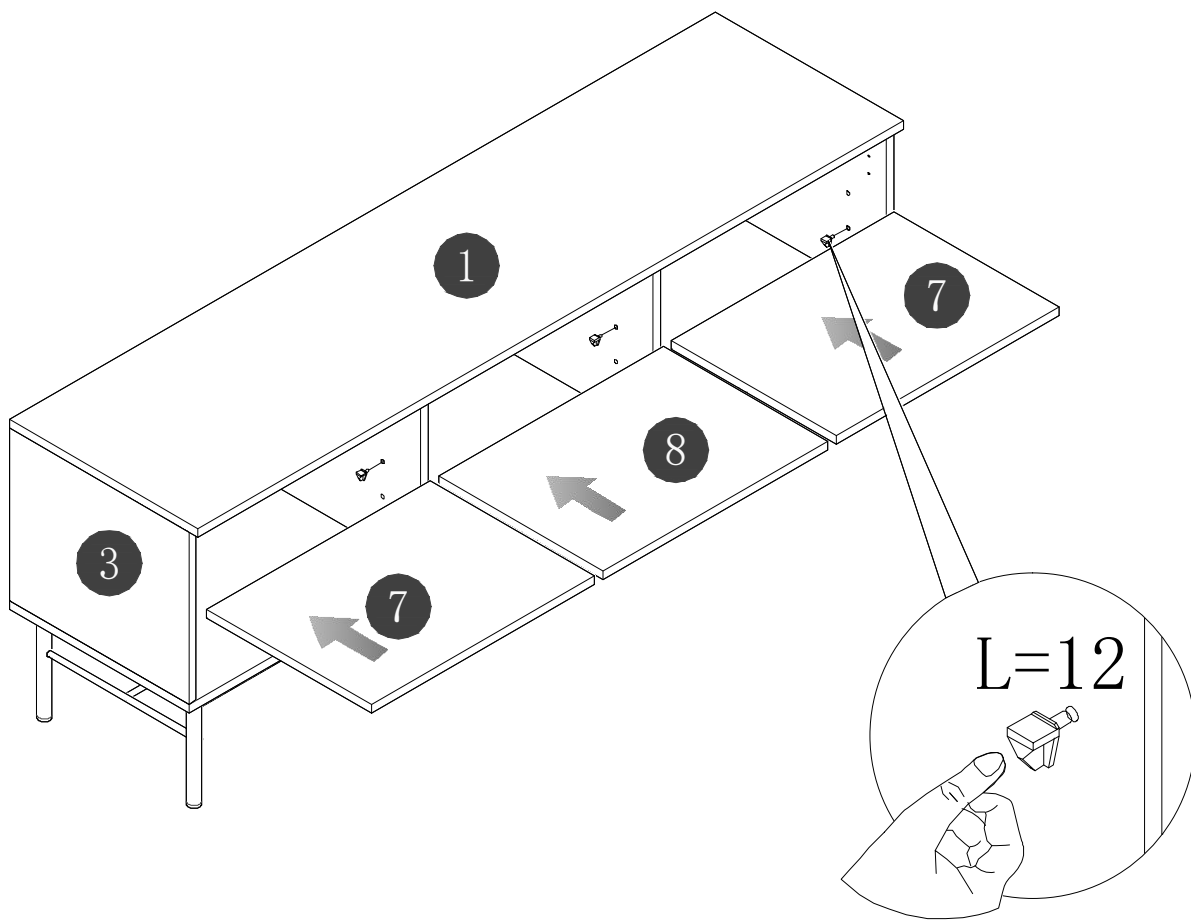


# STEP 6

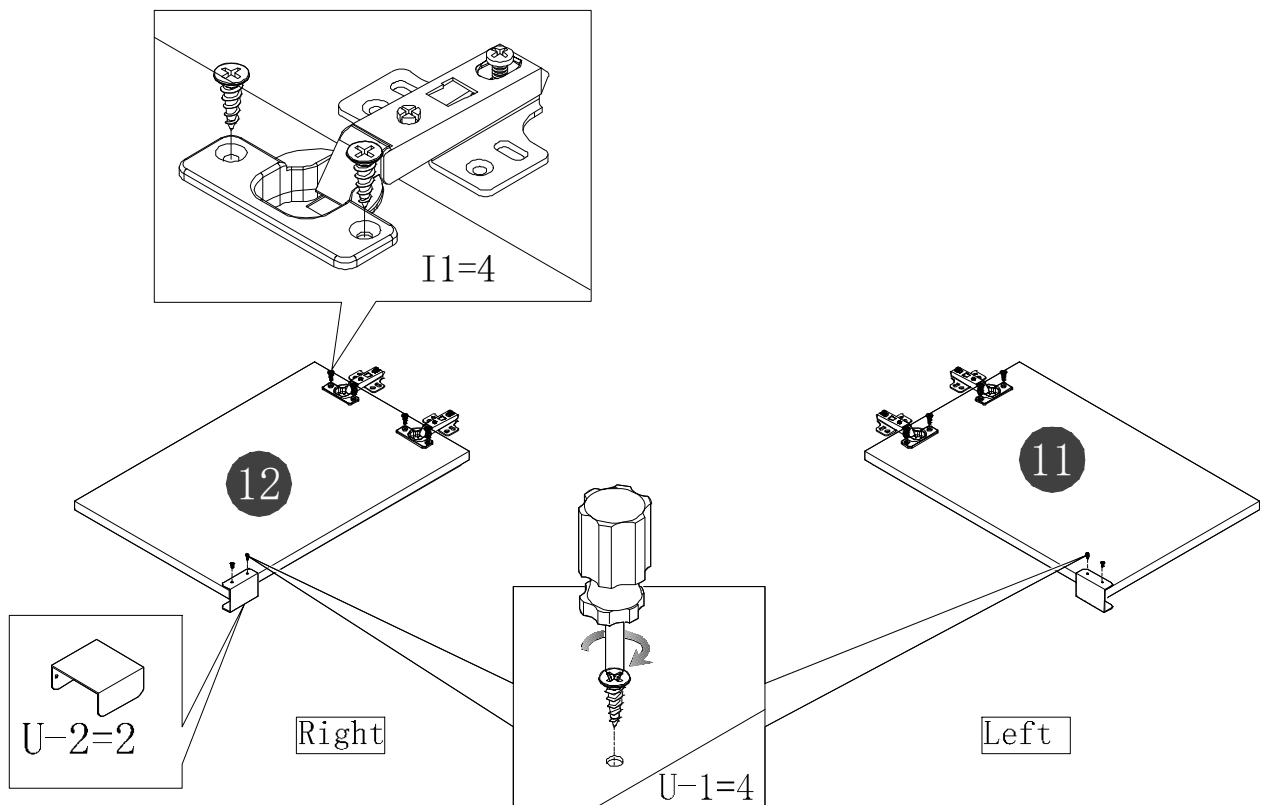




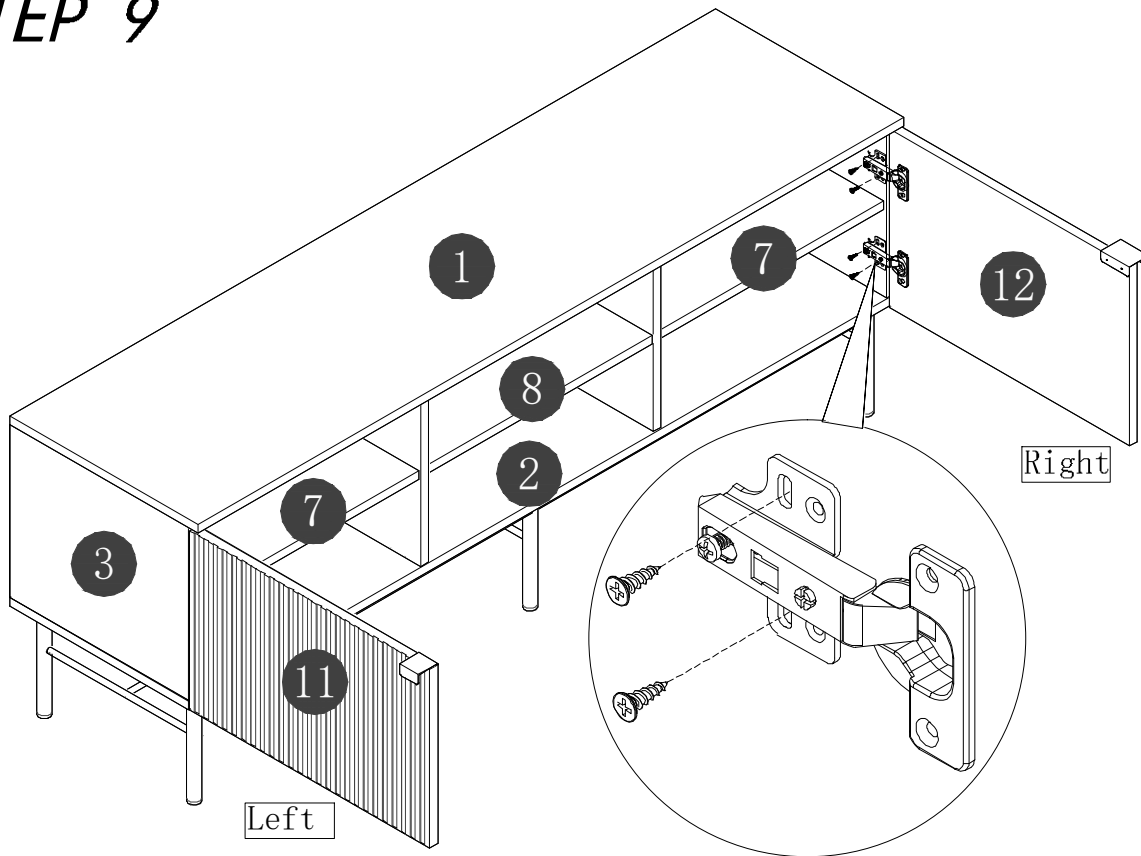
# STEP 7



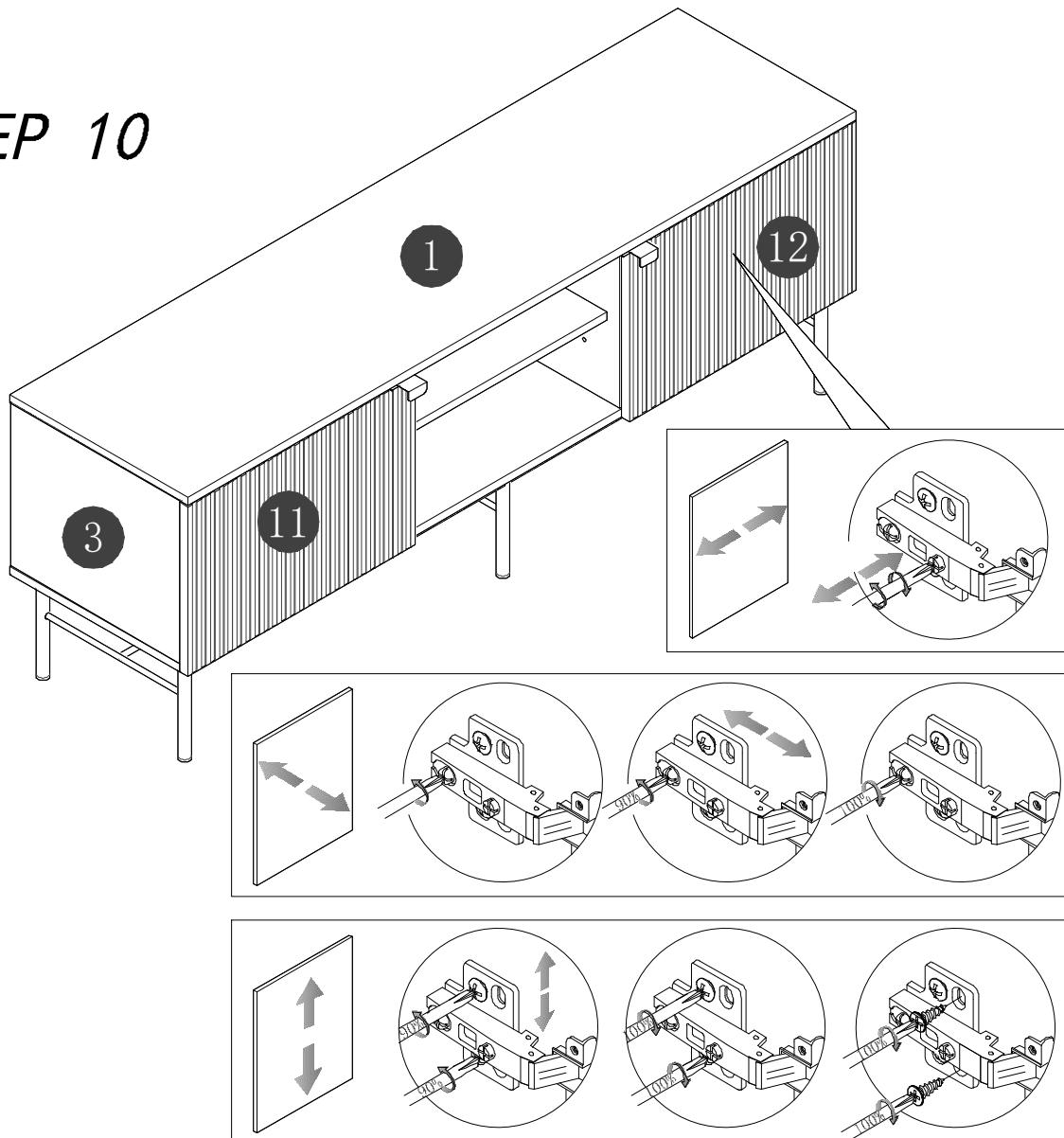
# STEP 8



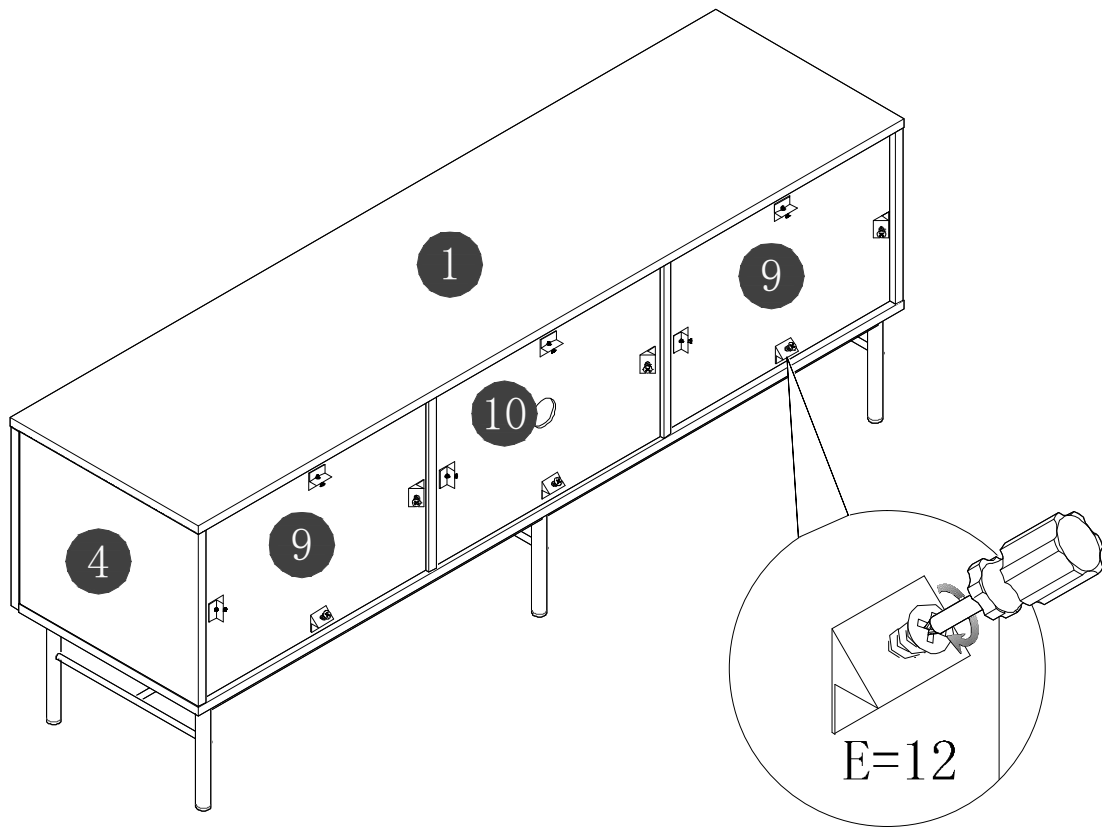
# STEP 9



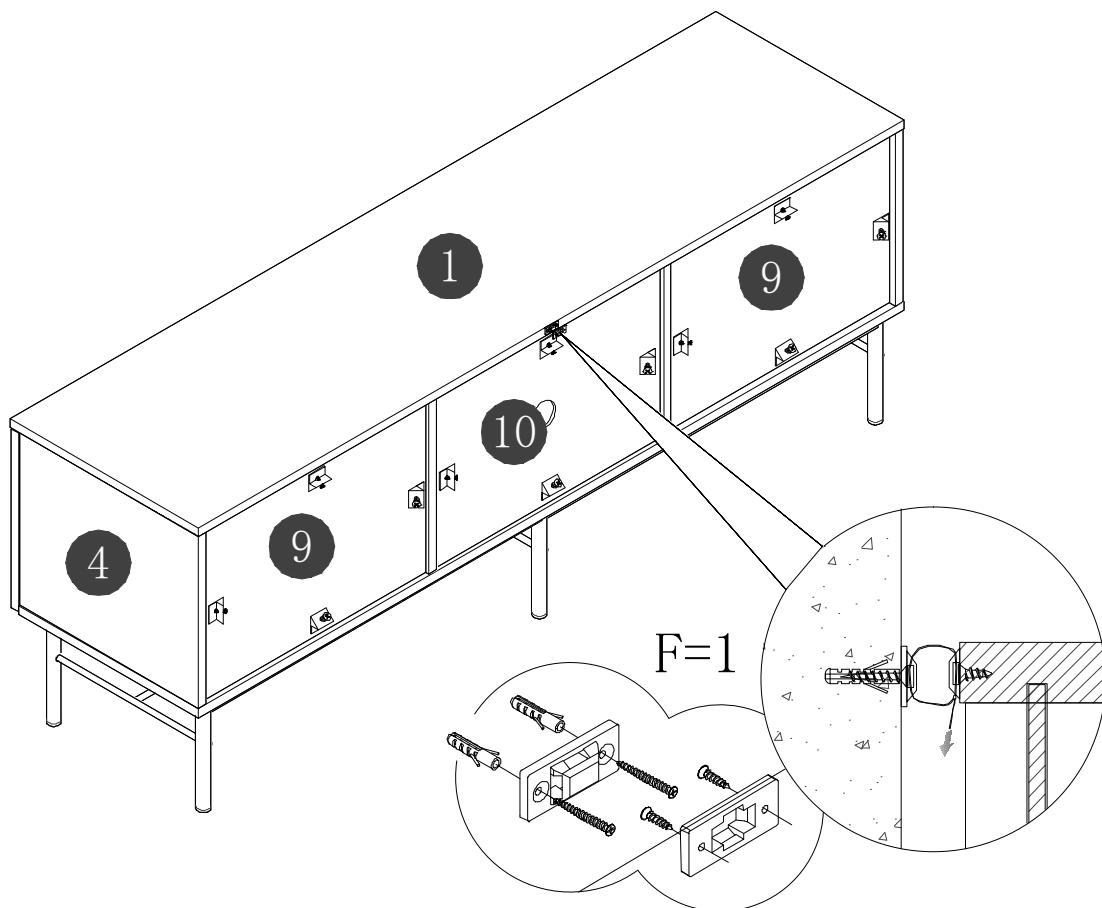
# STEP 10



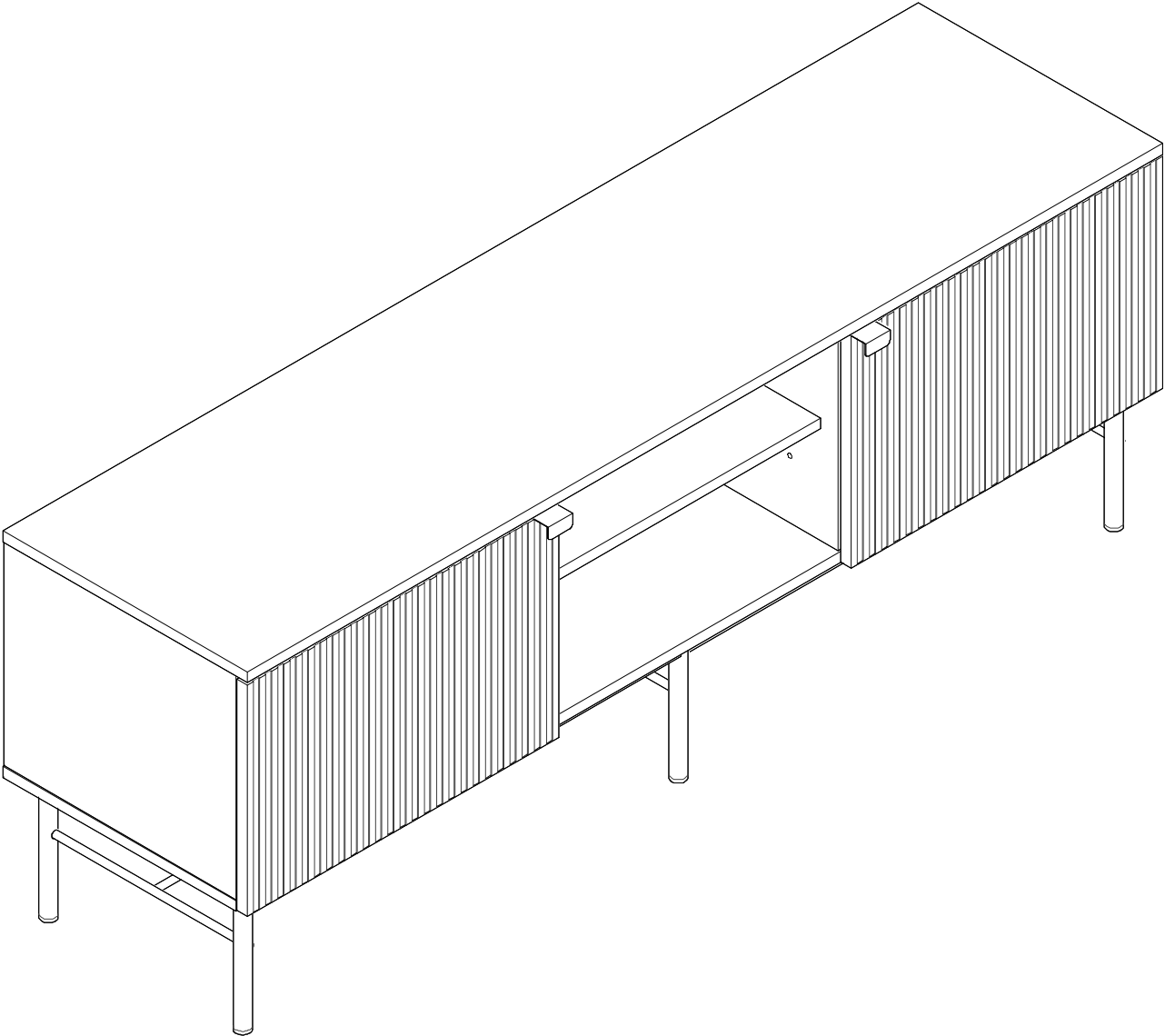
# STEP 11



# STEP 12



*STEP 13*



*Finish*