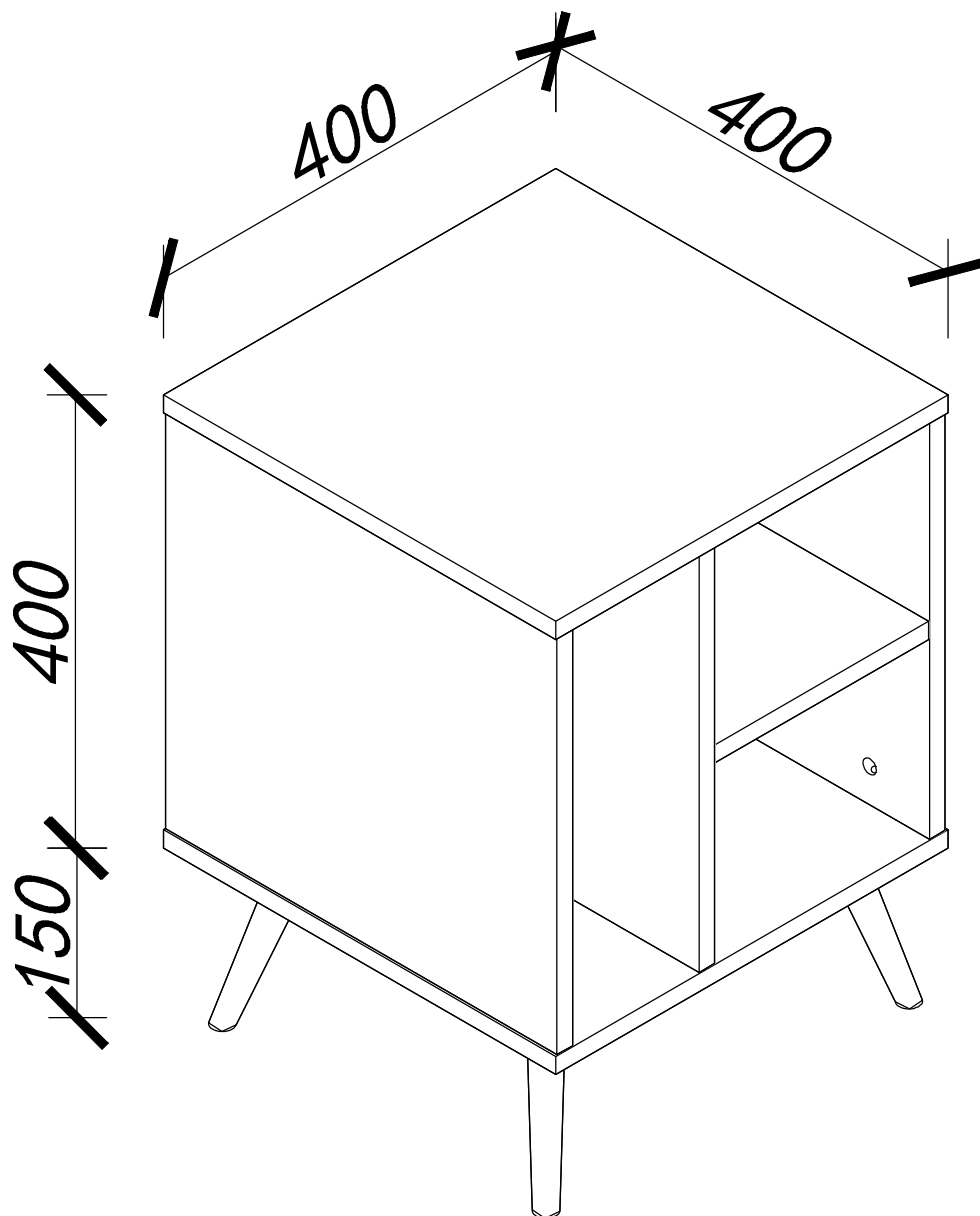
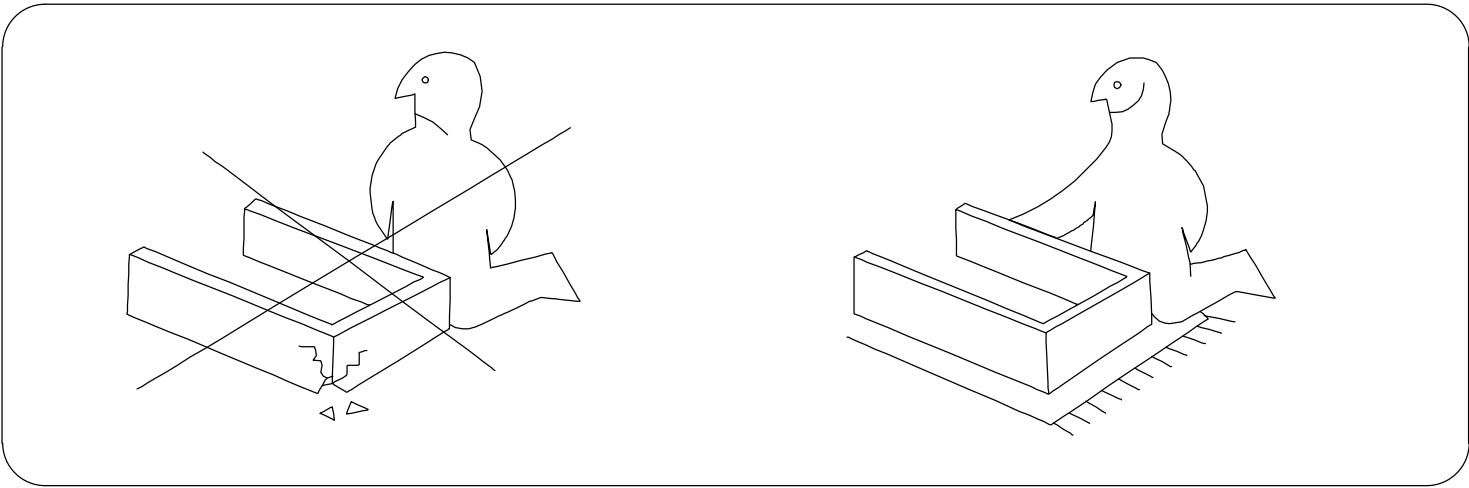
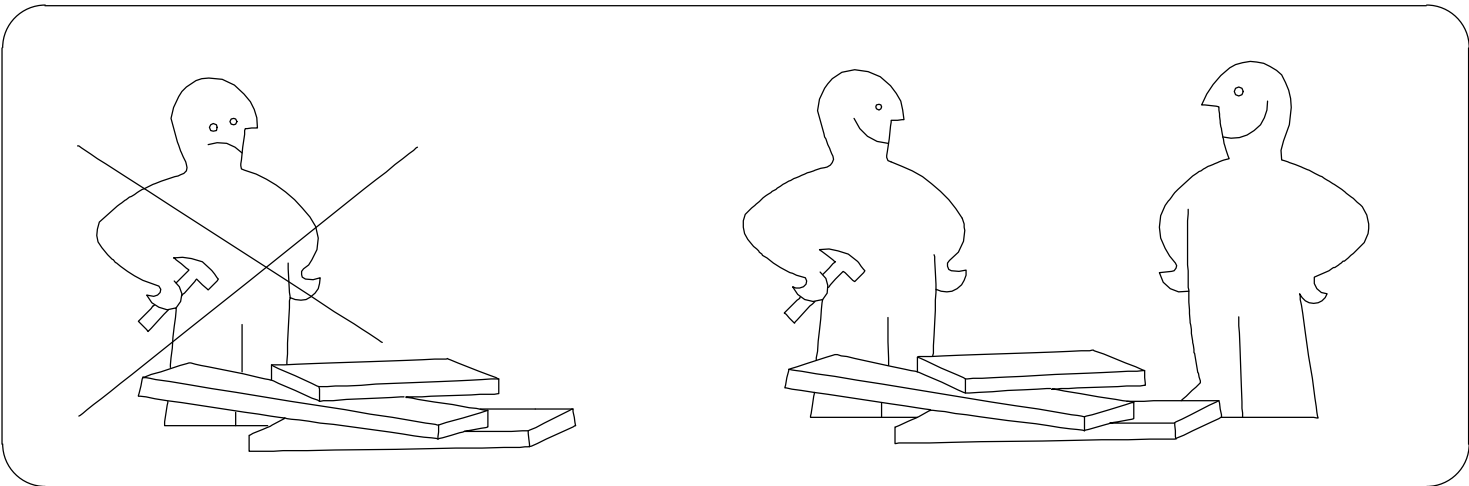
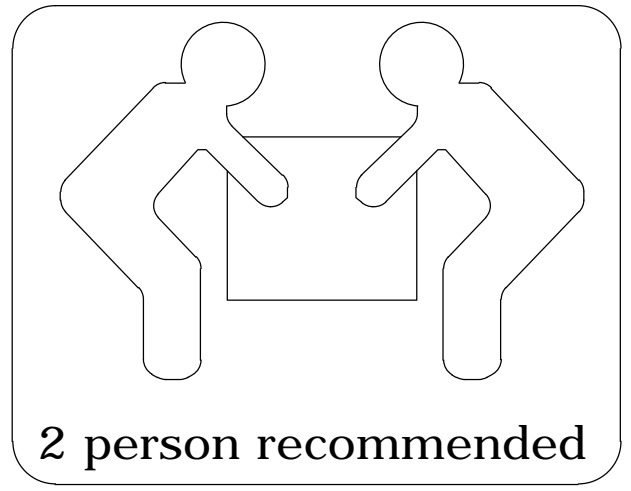
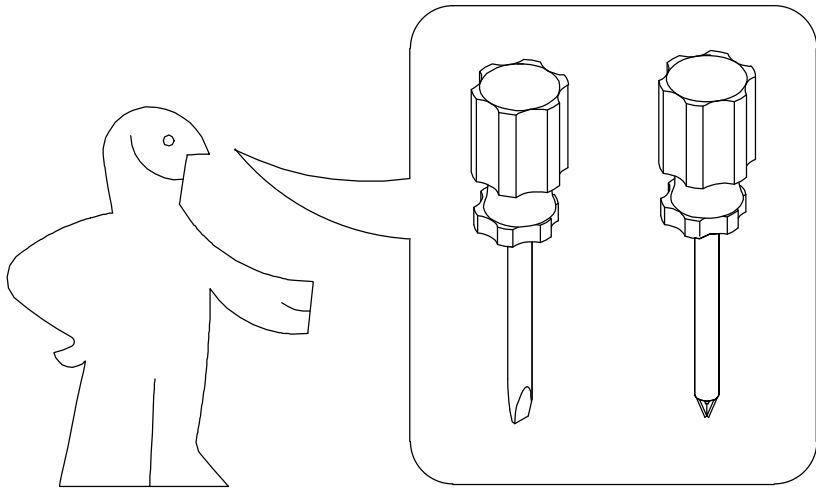


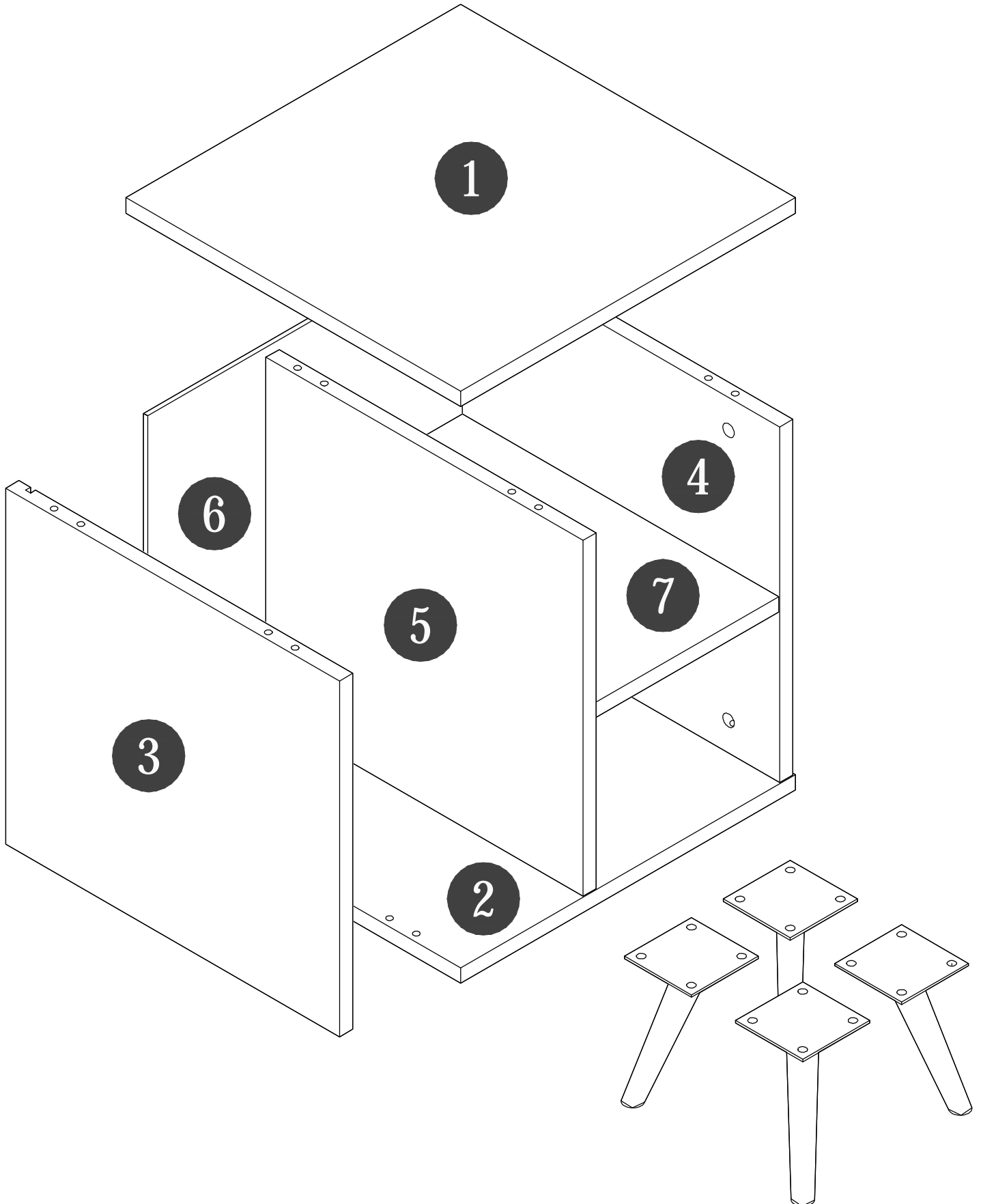
Assembly Instruction



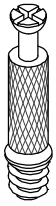


Panel No	Panel Sizes	Quantity
1	400*400*16	1
2	400*400*16	1
3	368*398*16	1
4	368*398*16	1

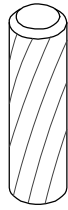
Panel No	Panel Sizes	Quantity
5	368*379*16	1
6	378*373*5	1
7	217*378*16	1



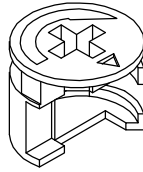
Fittings



M6*40
A=16



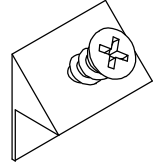
$\Phi 8*30$
B=16



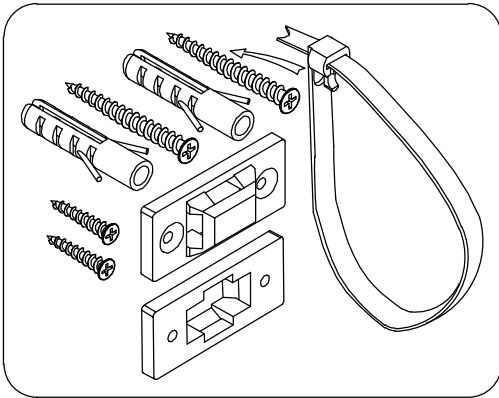
$\Phi 15*12$
C=16



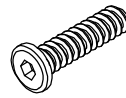
$\Phi 21$
D=16



E=4



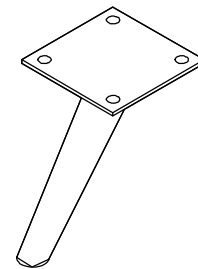
F=1



M6*16
G=16



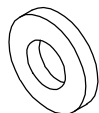
M1
H=1



J=4

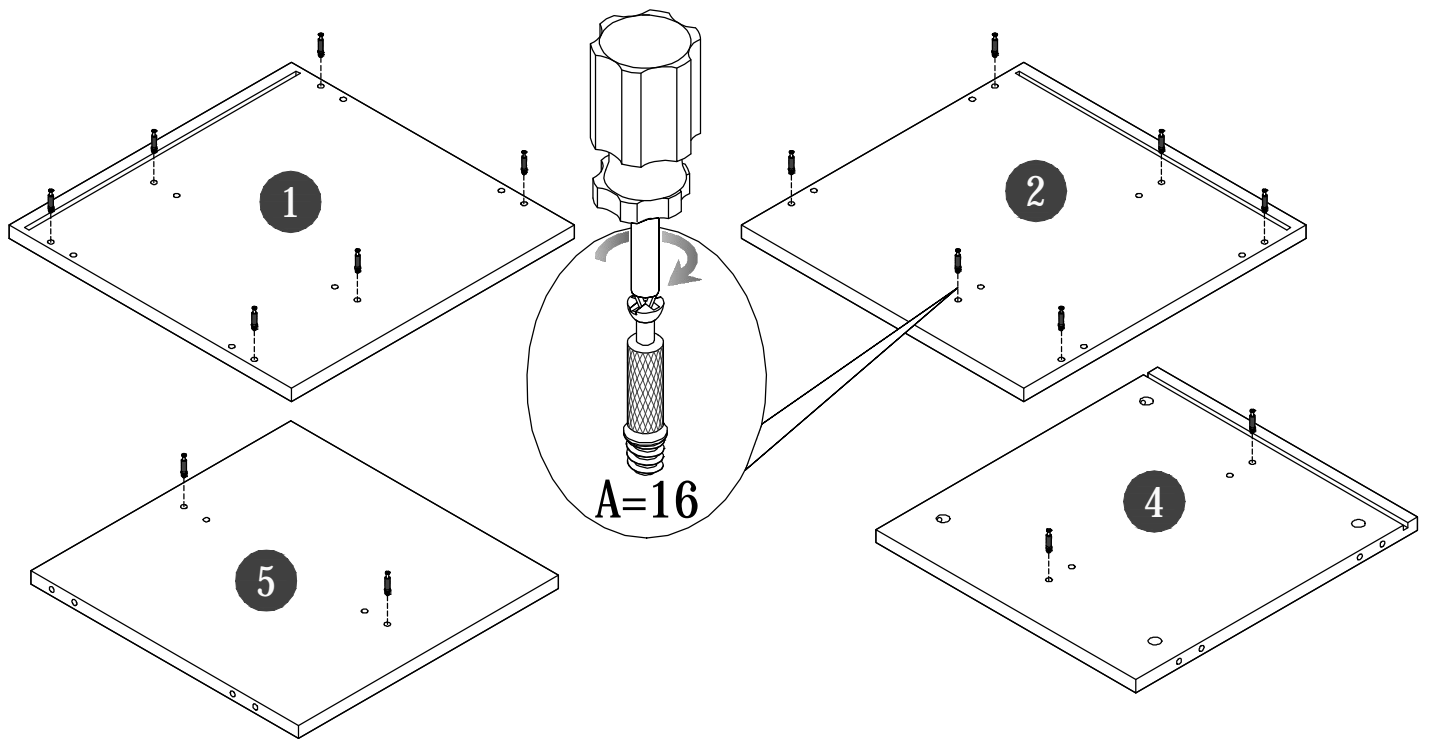


Z1=16

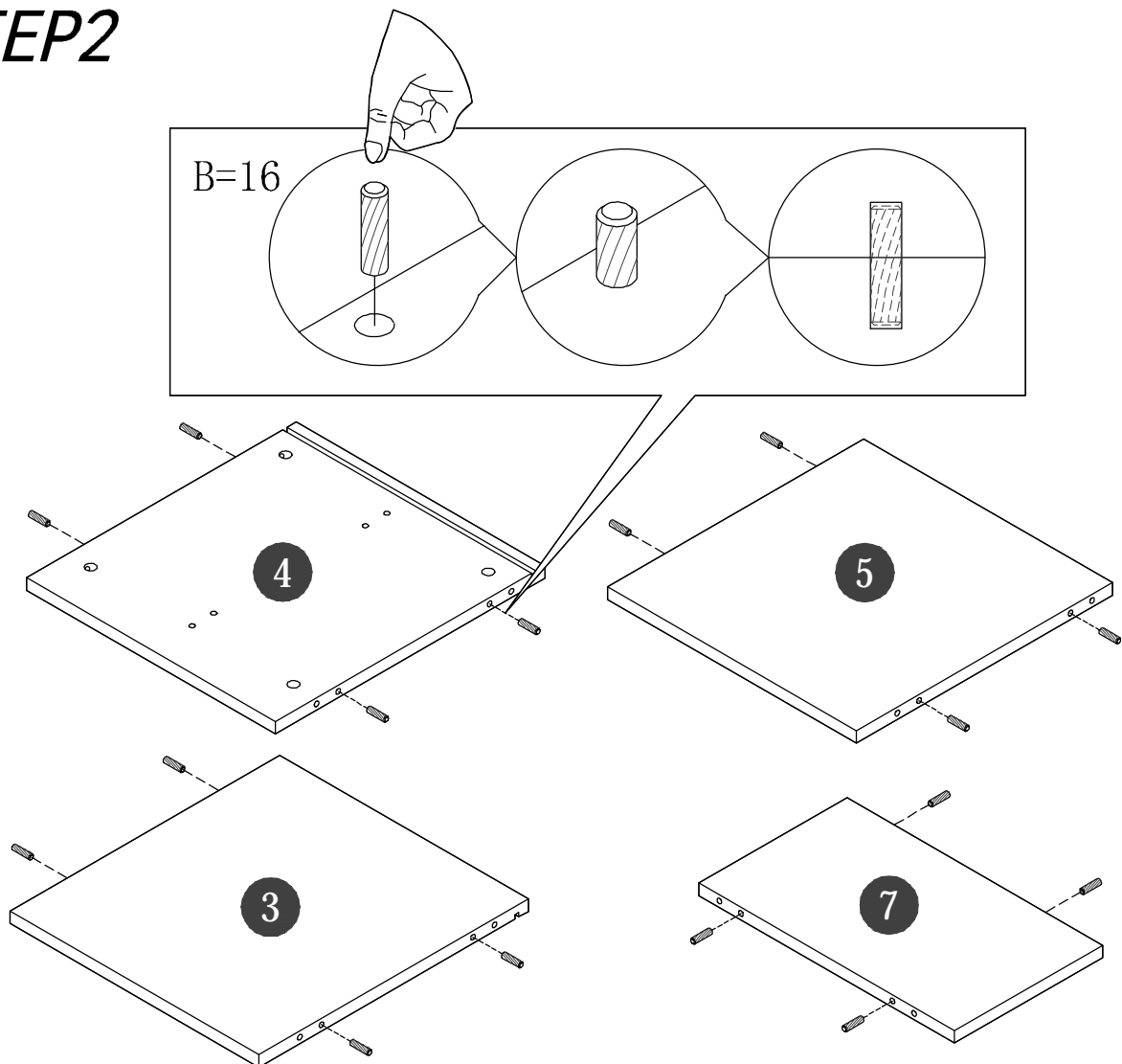


Z2=16

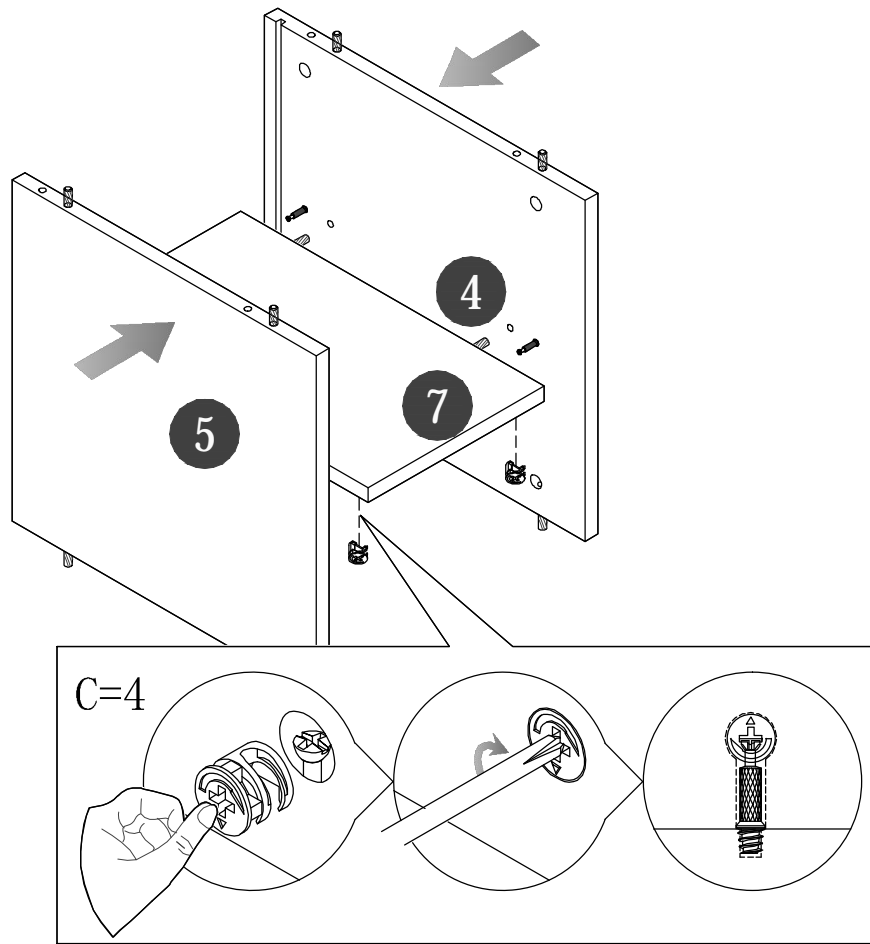
STEP 1



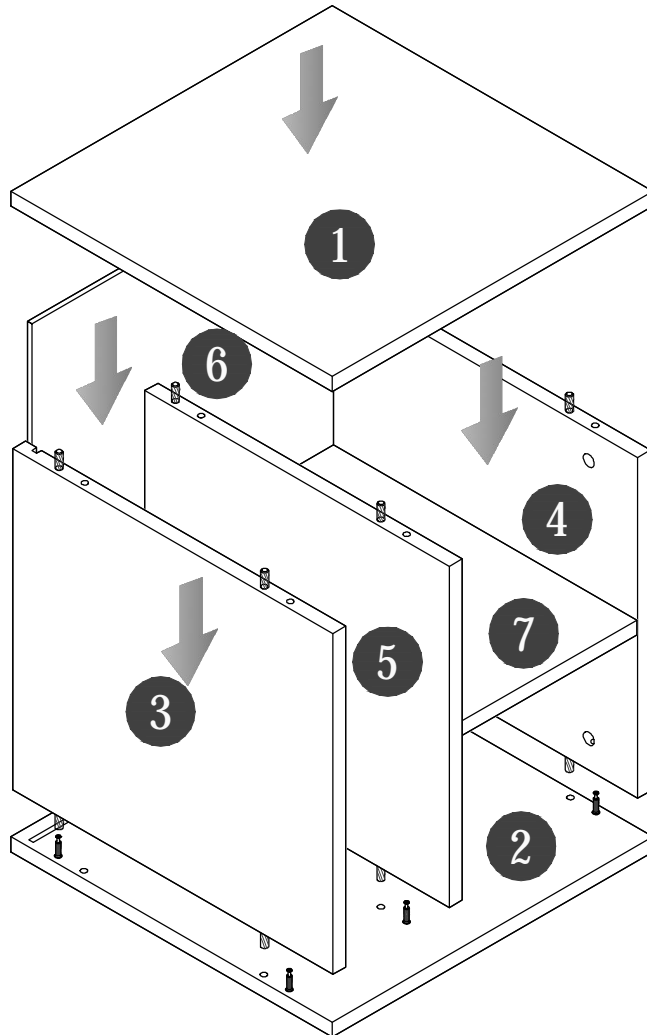
STEP 2



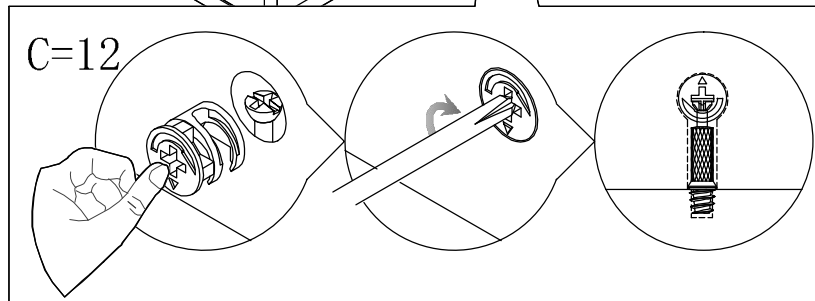
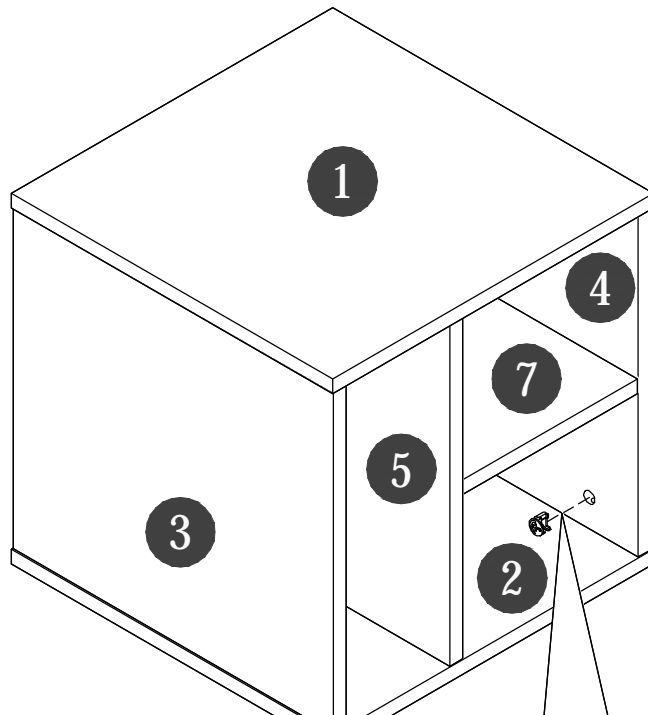
STEP 3



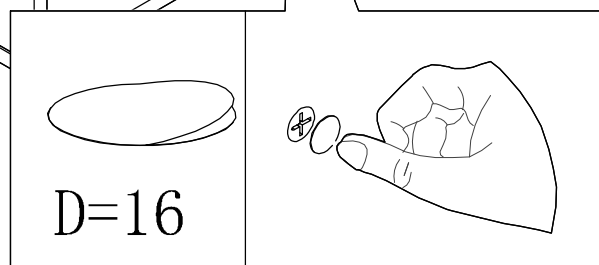
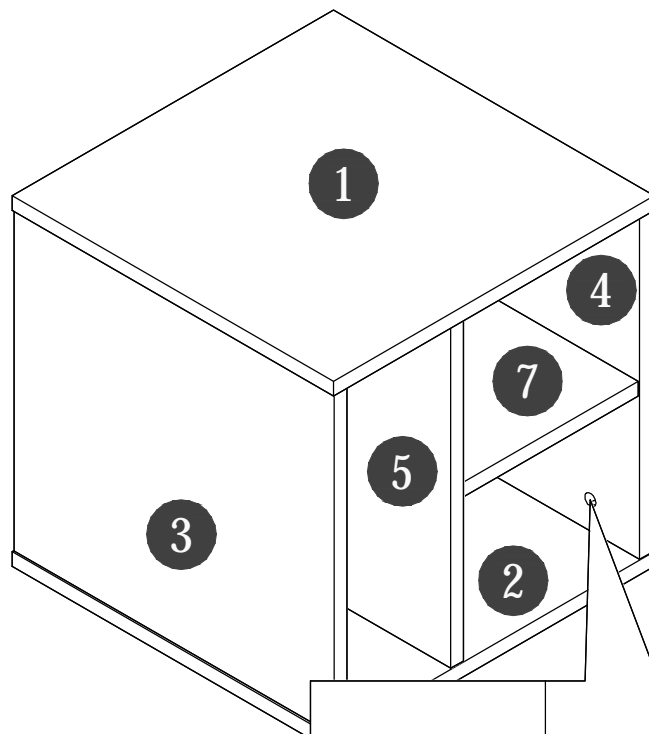
STEP 4



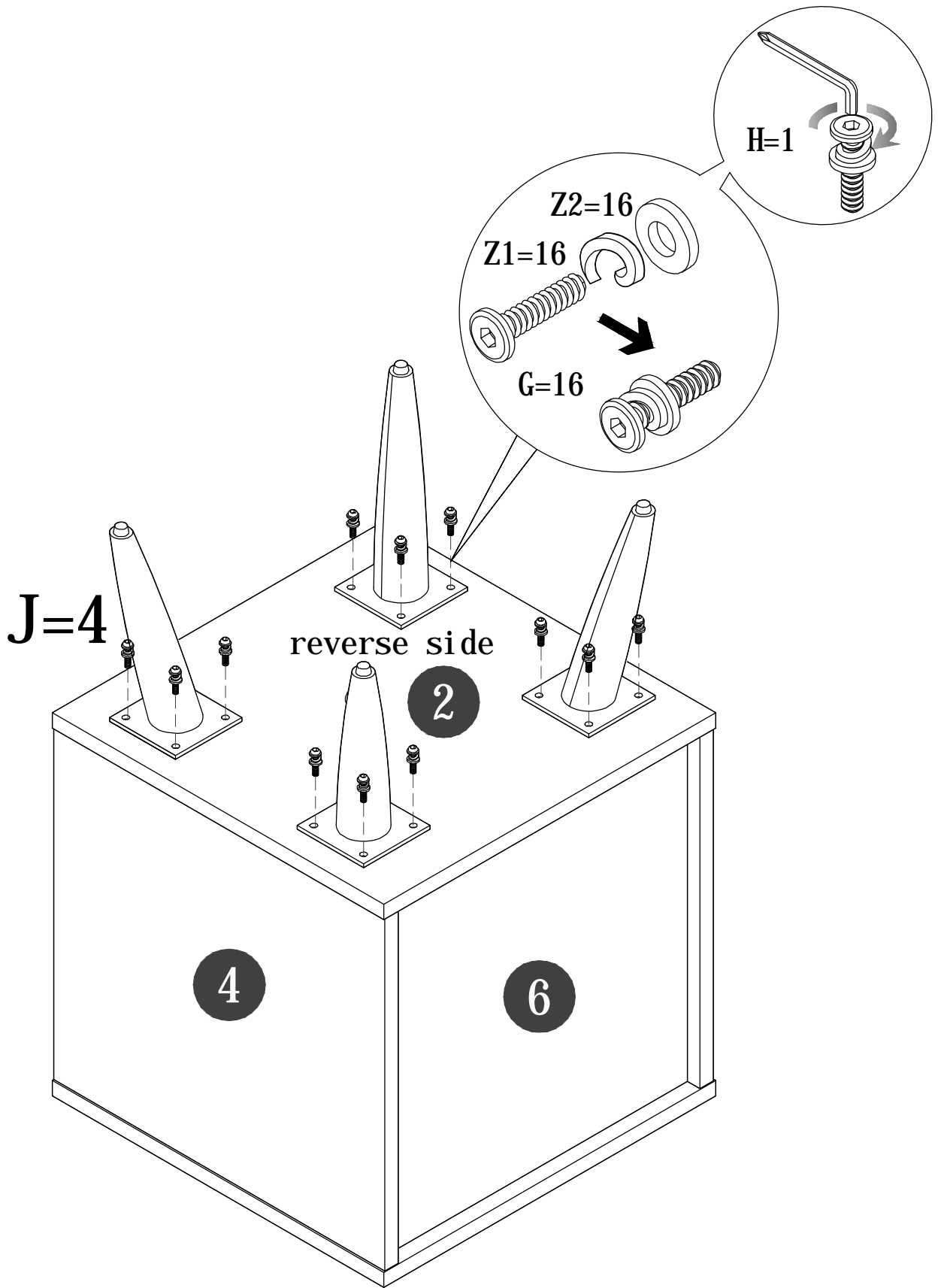
STEP 5



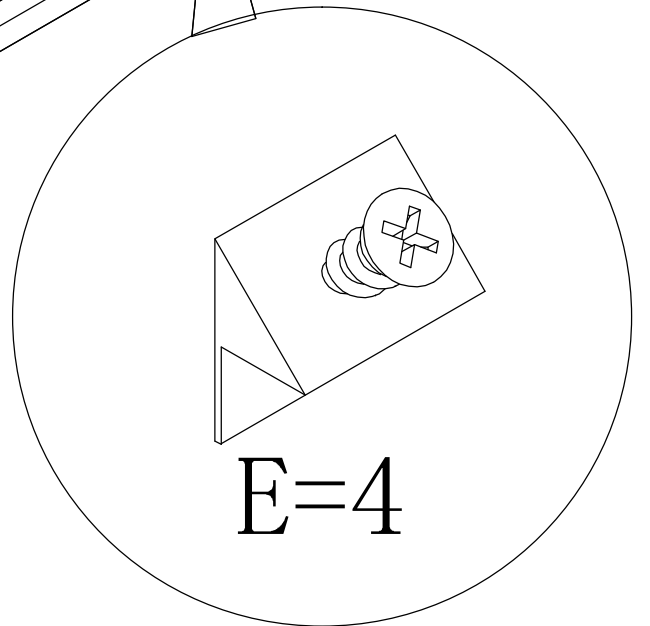
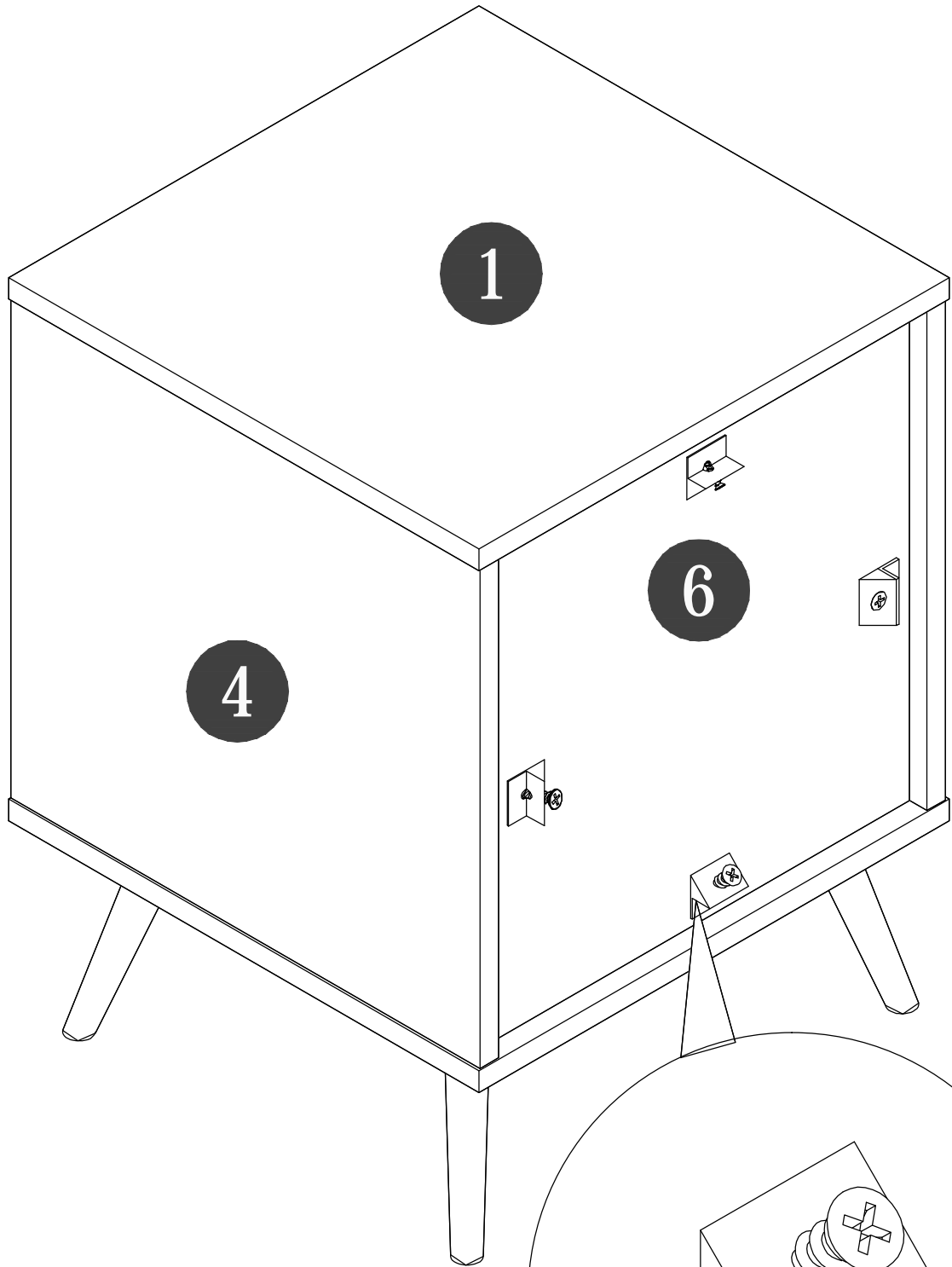
STEP 6



STEP 7

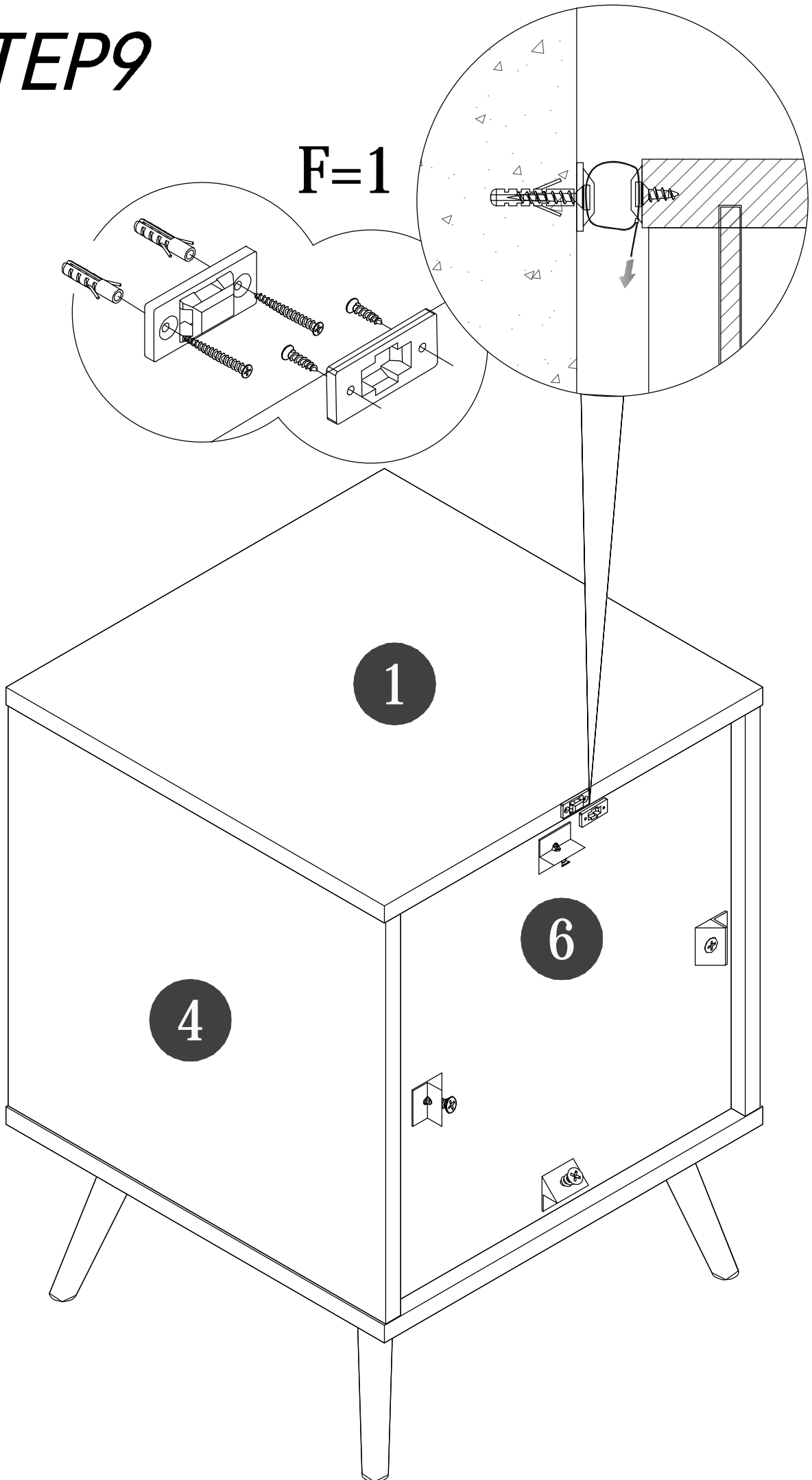


STEP 8

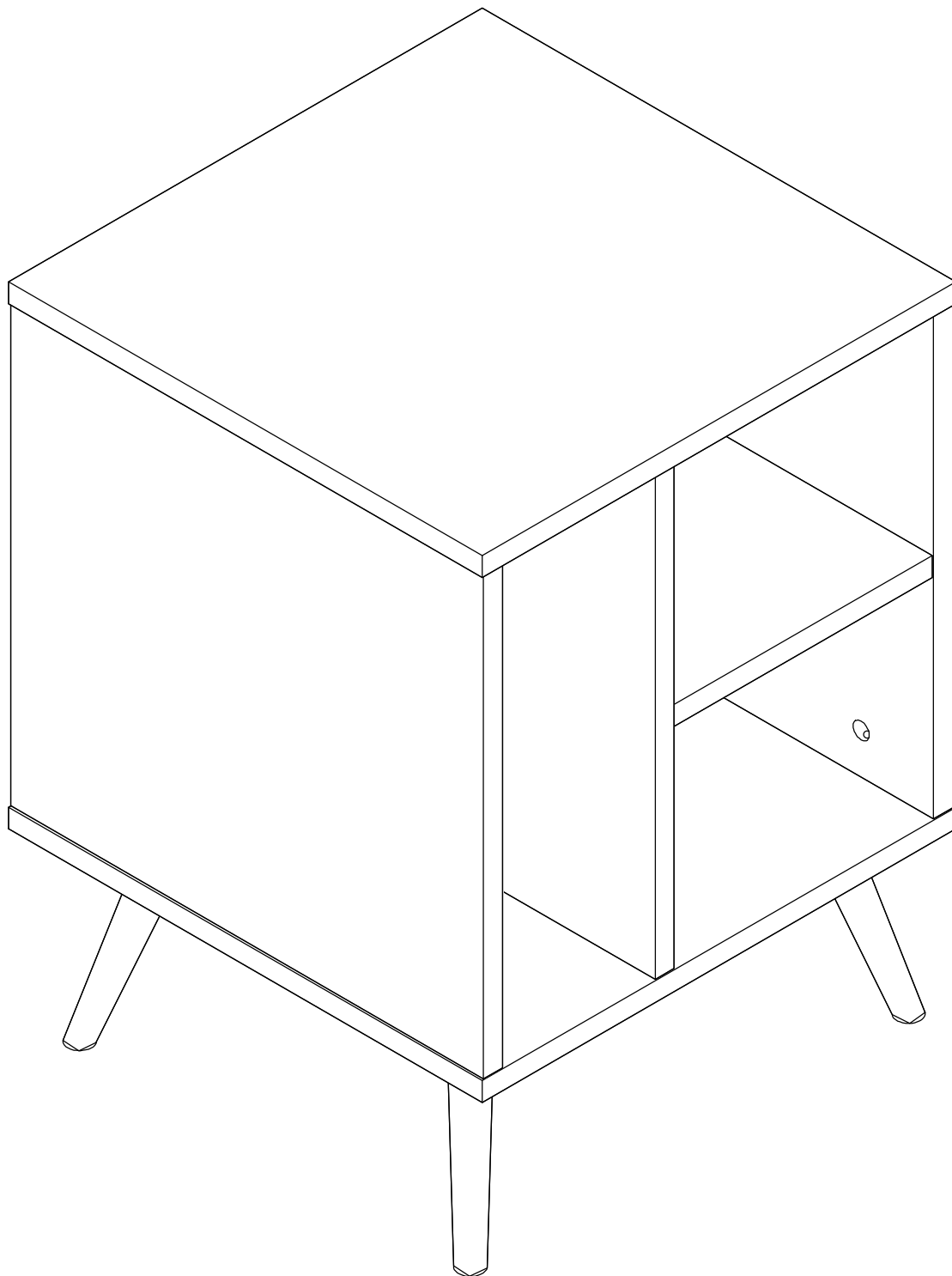


STEP 9

F=1



STEP 10



Finish