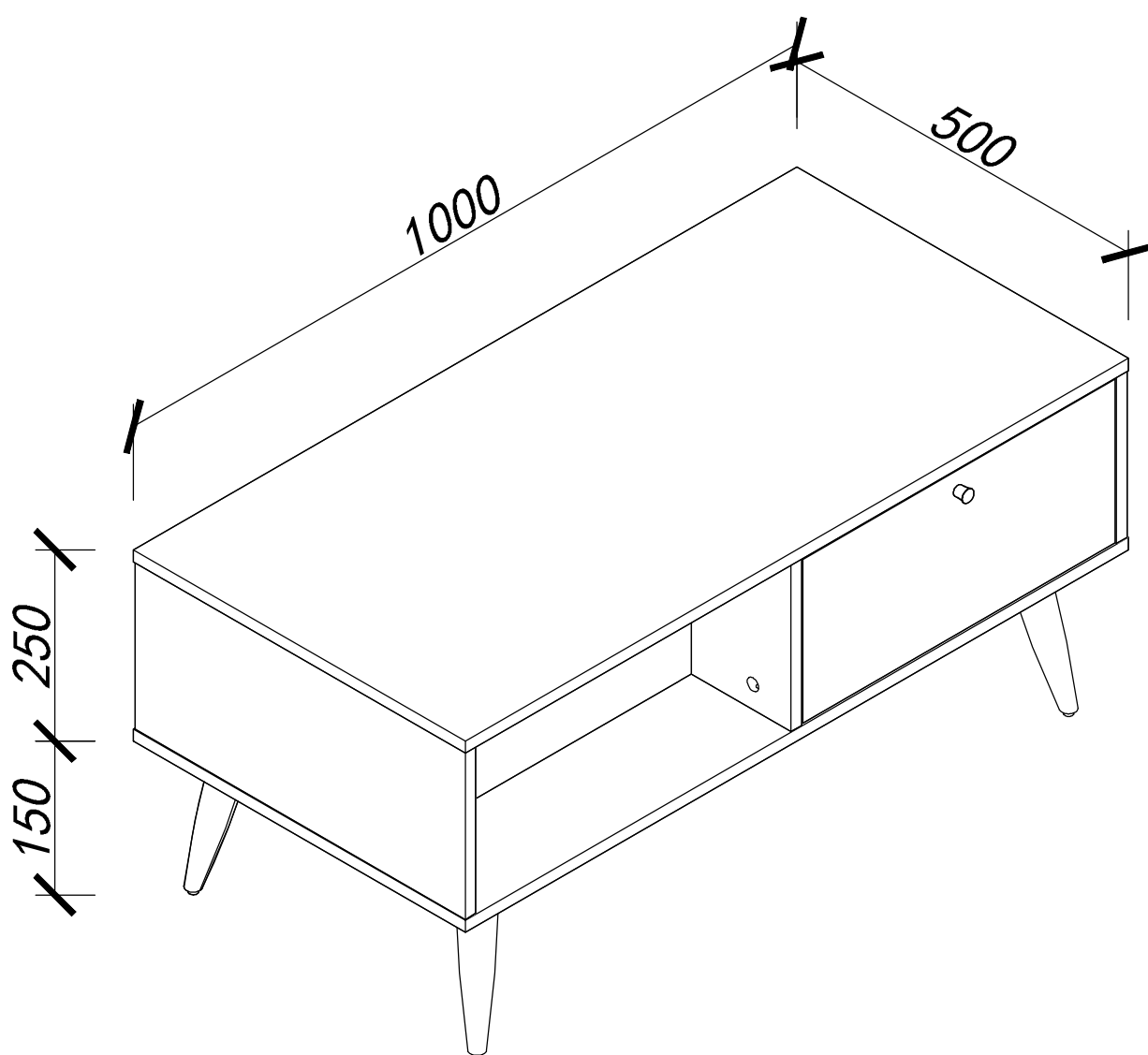
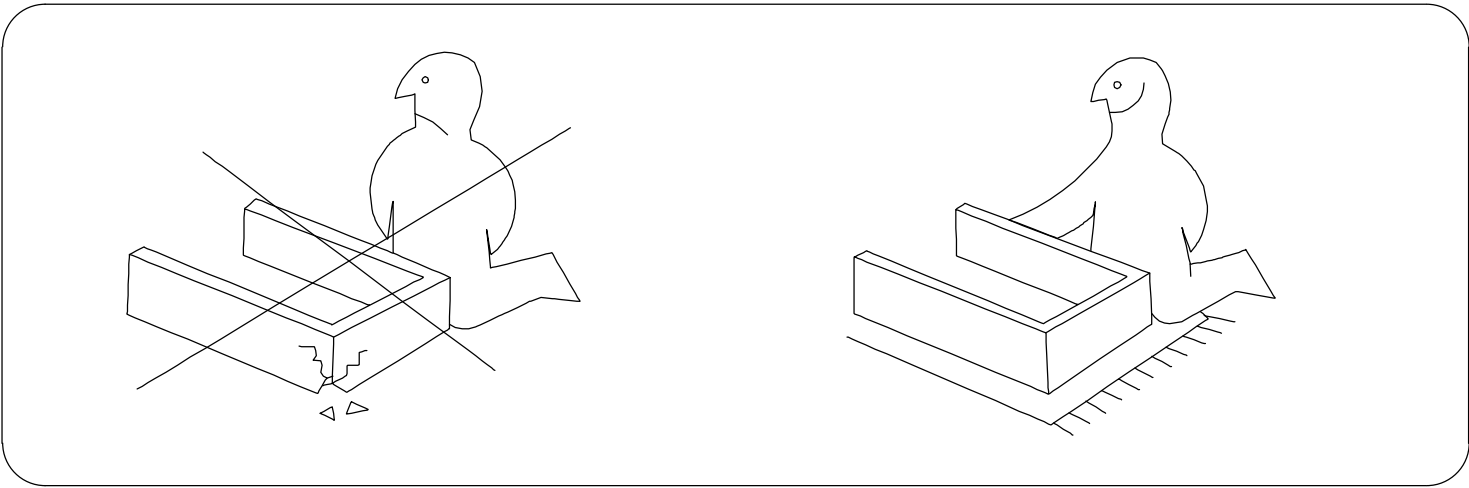
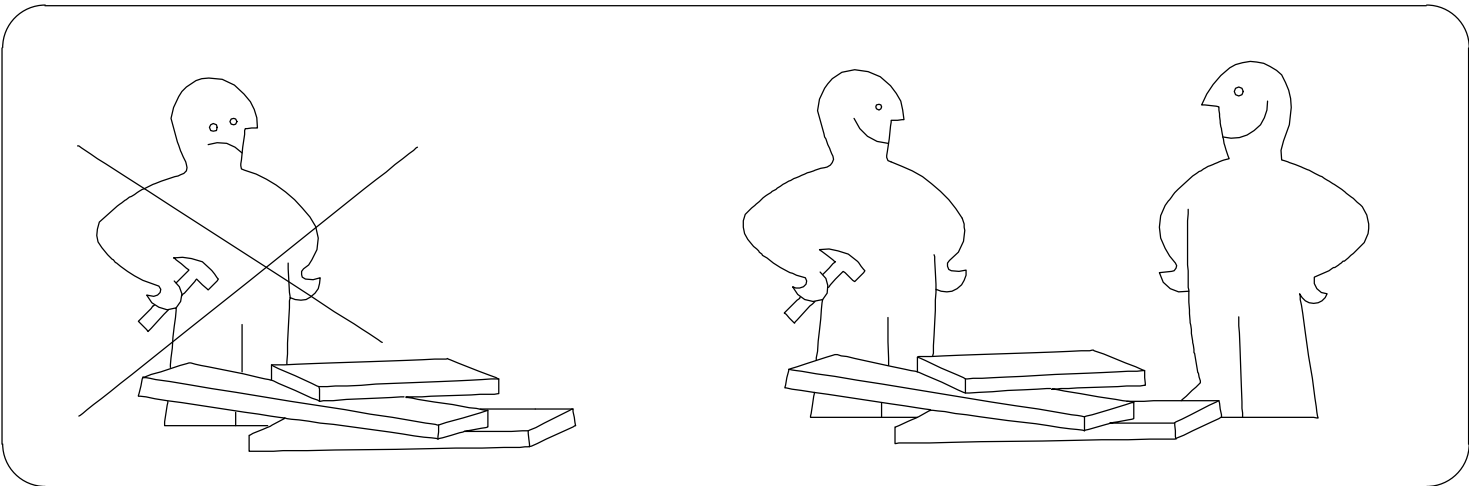
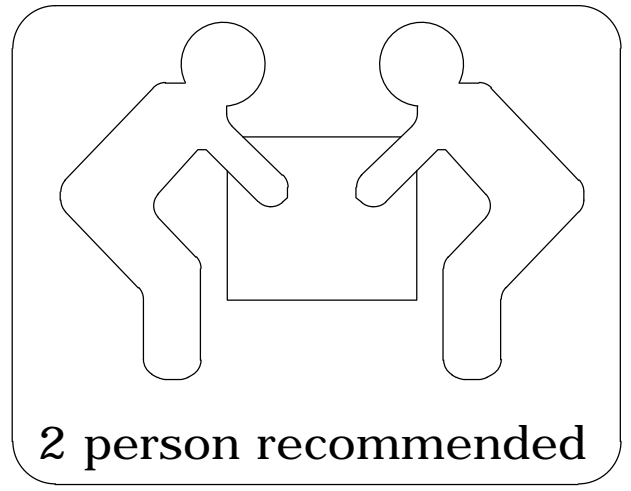
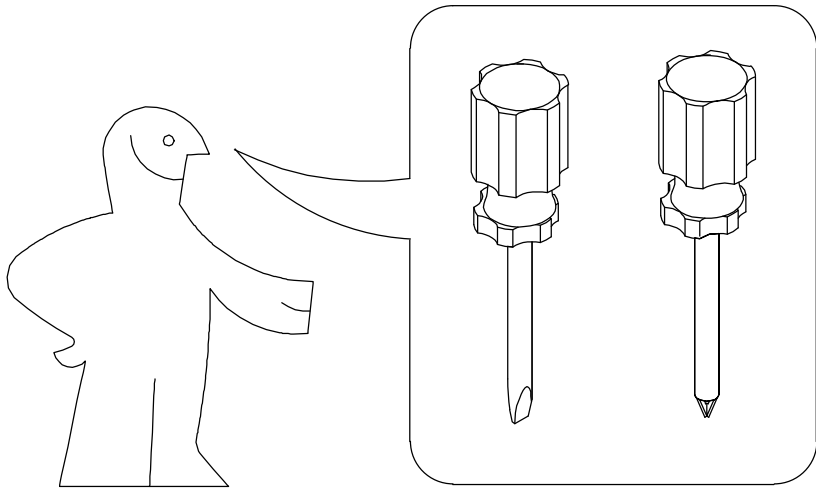


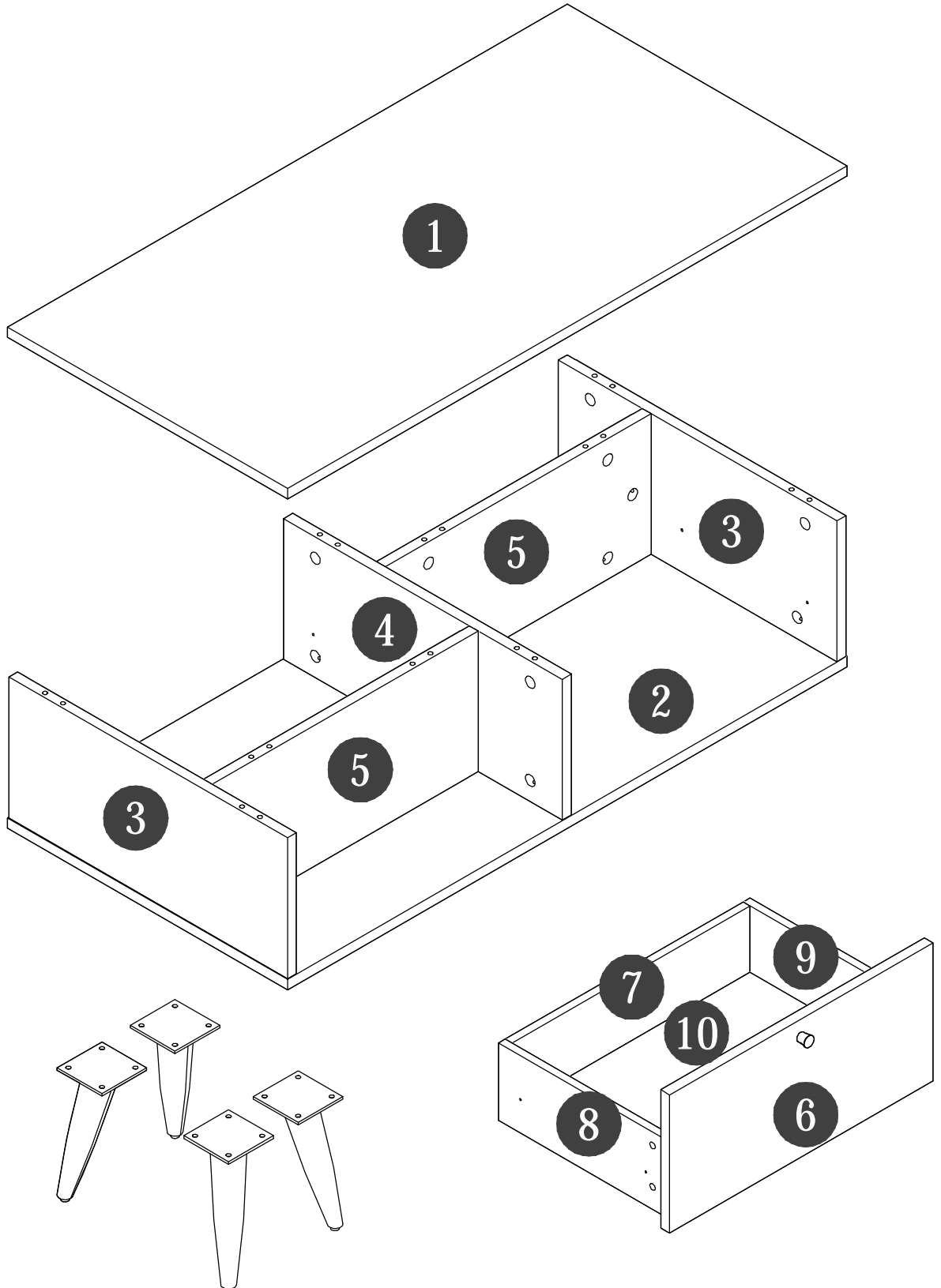
Assembly Instruction



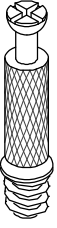


Panel No	Panel Sizes	Quantity
1	1000*500*16	1
2	1000*500*16	1
3	218*498*16	2
4	218*498*16	1
5	218*475*16	2

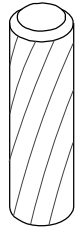
Panel No	Panel Sizes	Quantity
6	469*212*16	2
7	425*120*12	2
8	300*120*12	2
9	300*120*12	2
10	435*298*5	2



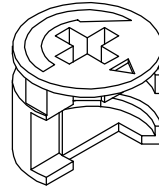
Fittings



A=24



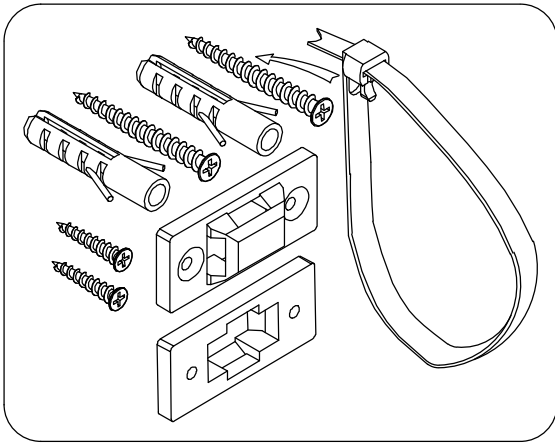
B=20



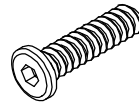
C=24



D=40

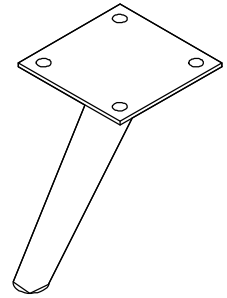


F=1



M6*16

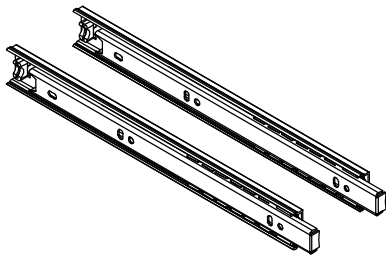
G=16



J=4



H=1



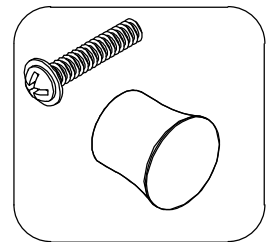
N=2



O=16



P=16



U=2

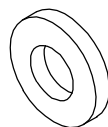


M3. 5*12

V1=16

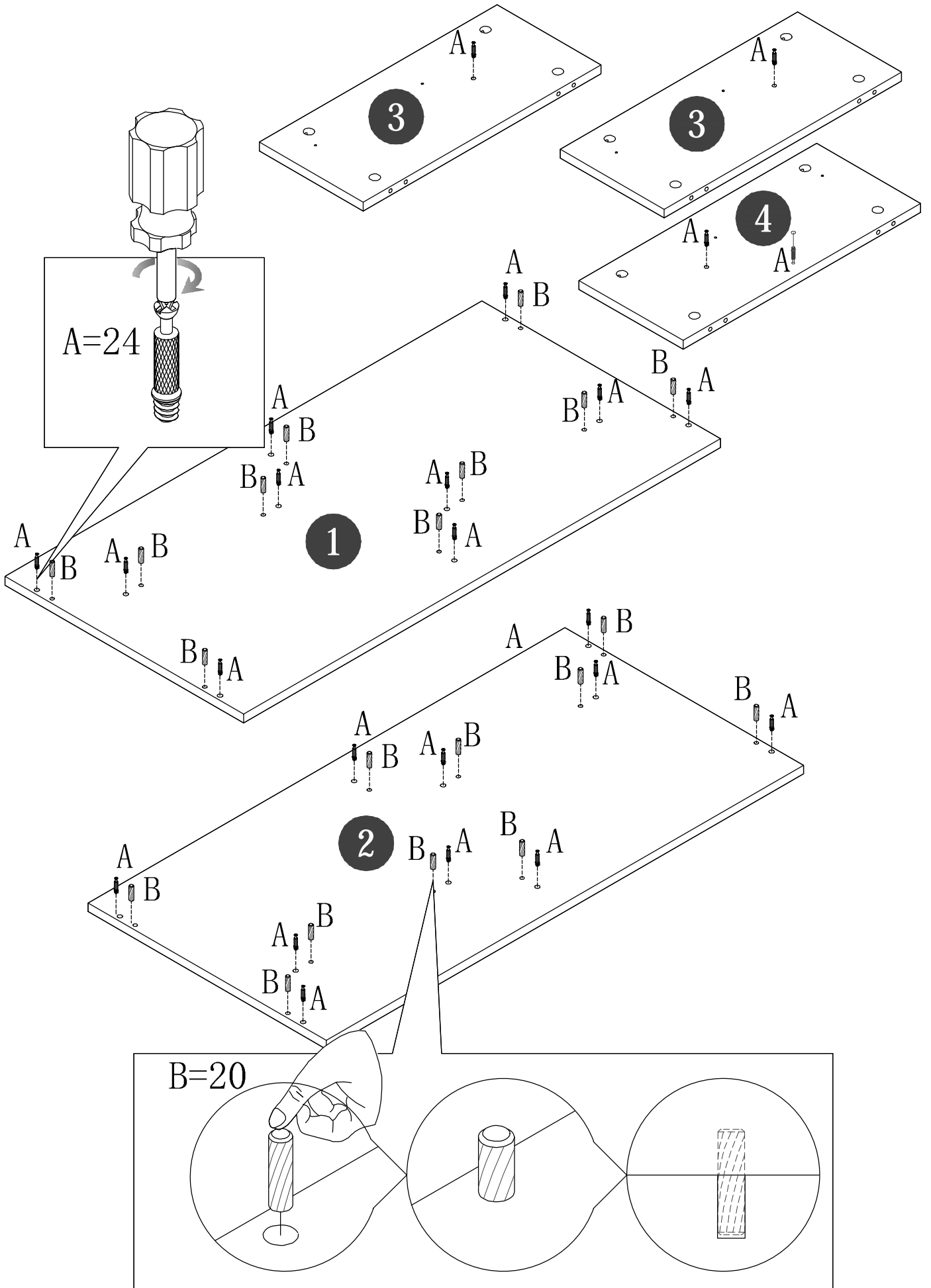


Z1=16

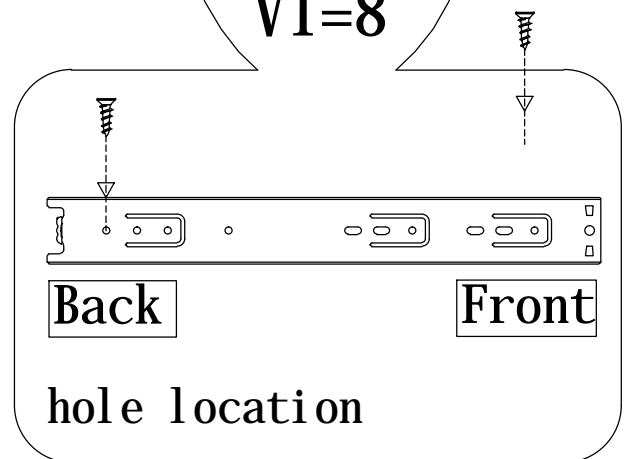
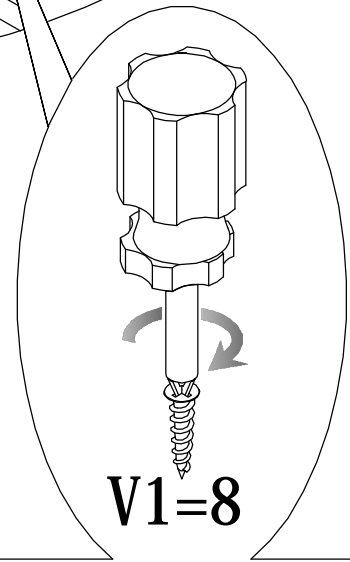
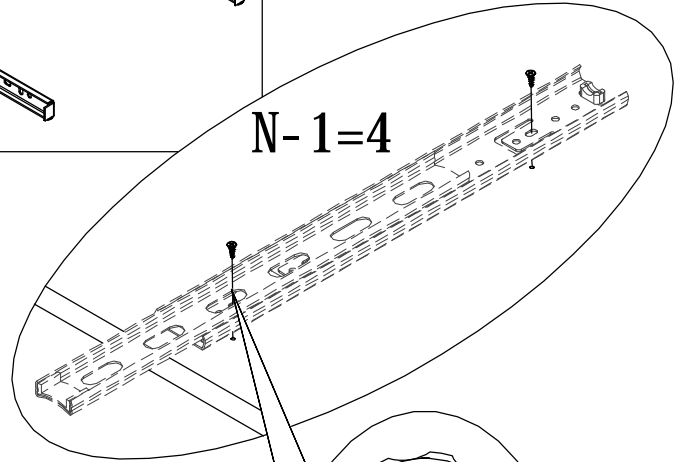
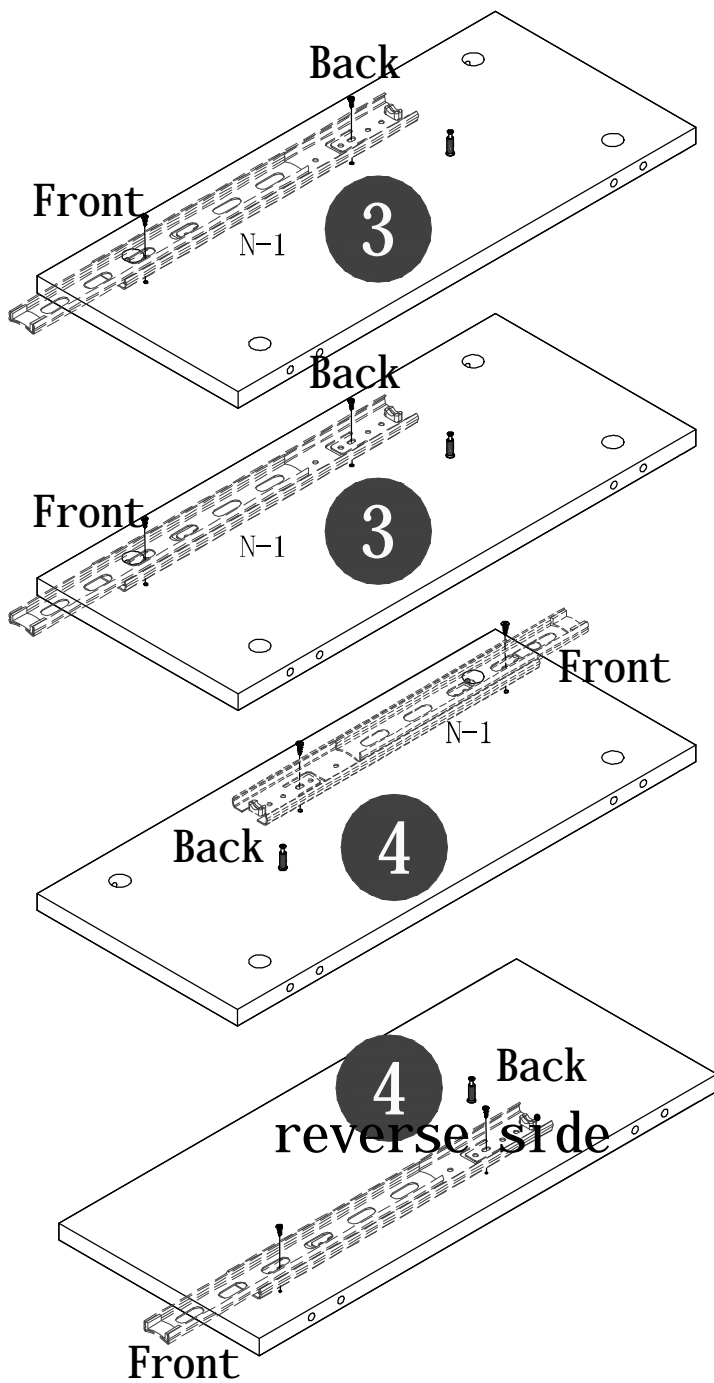
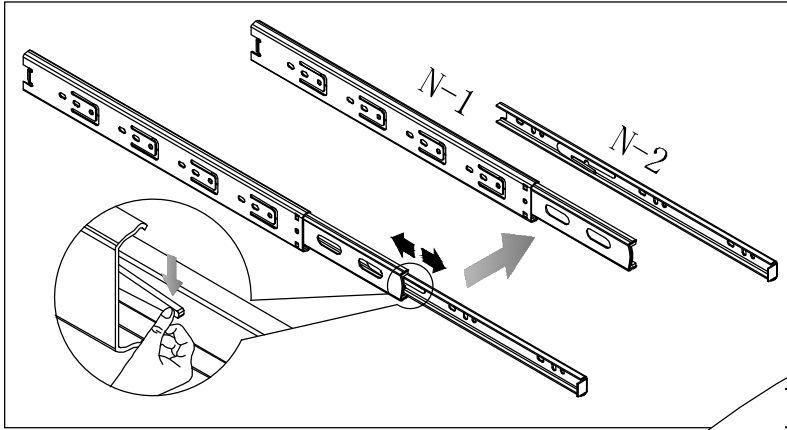


Z2=16

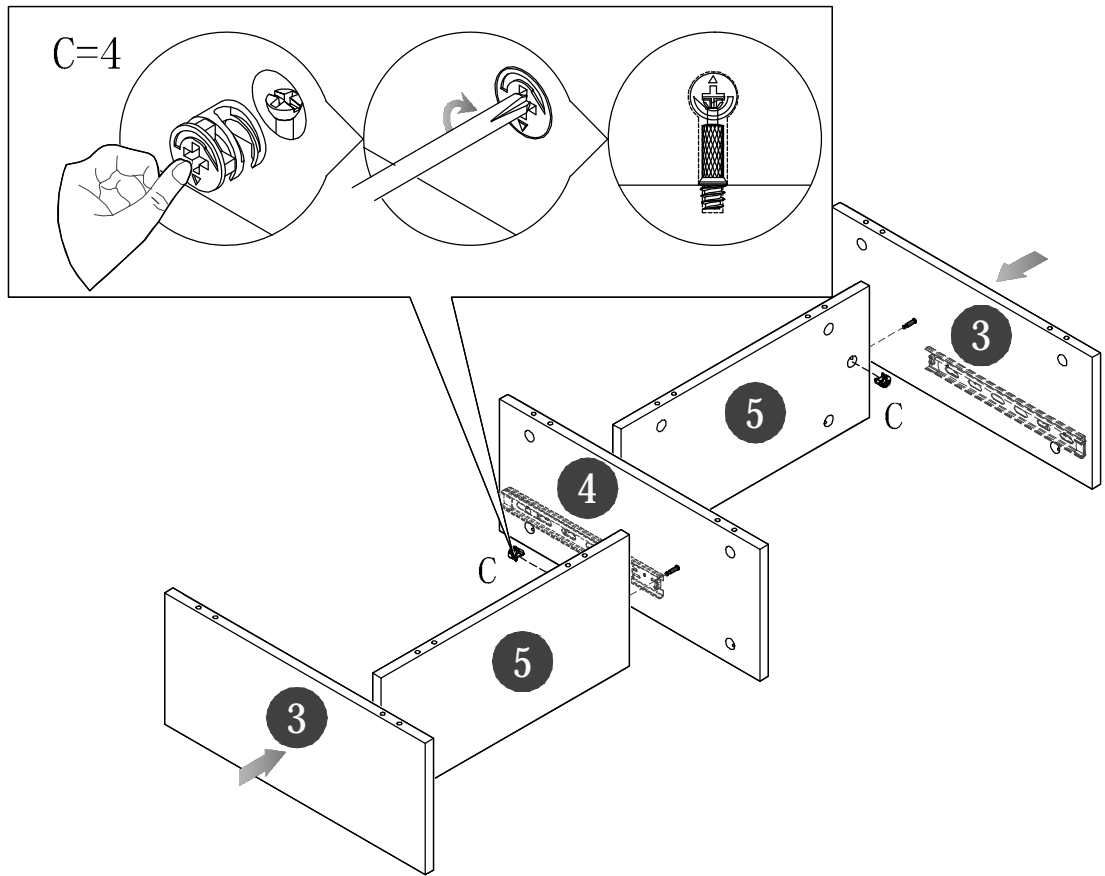
STEP 1



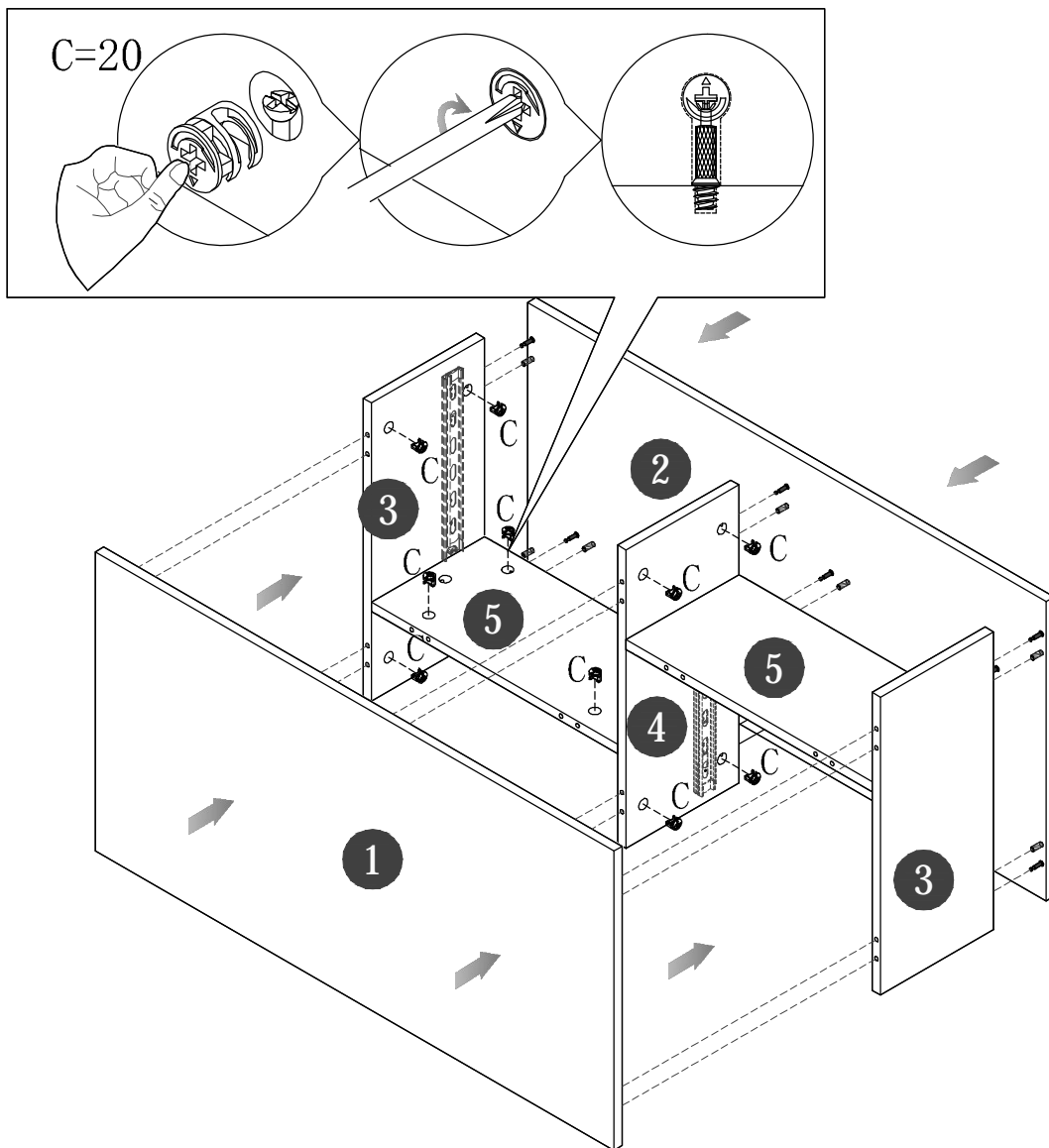
STEP 2



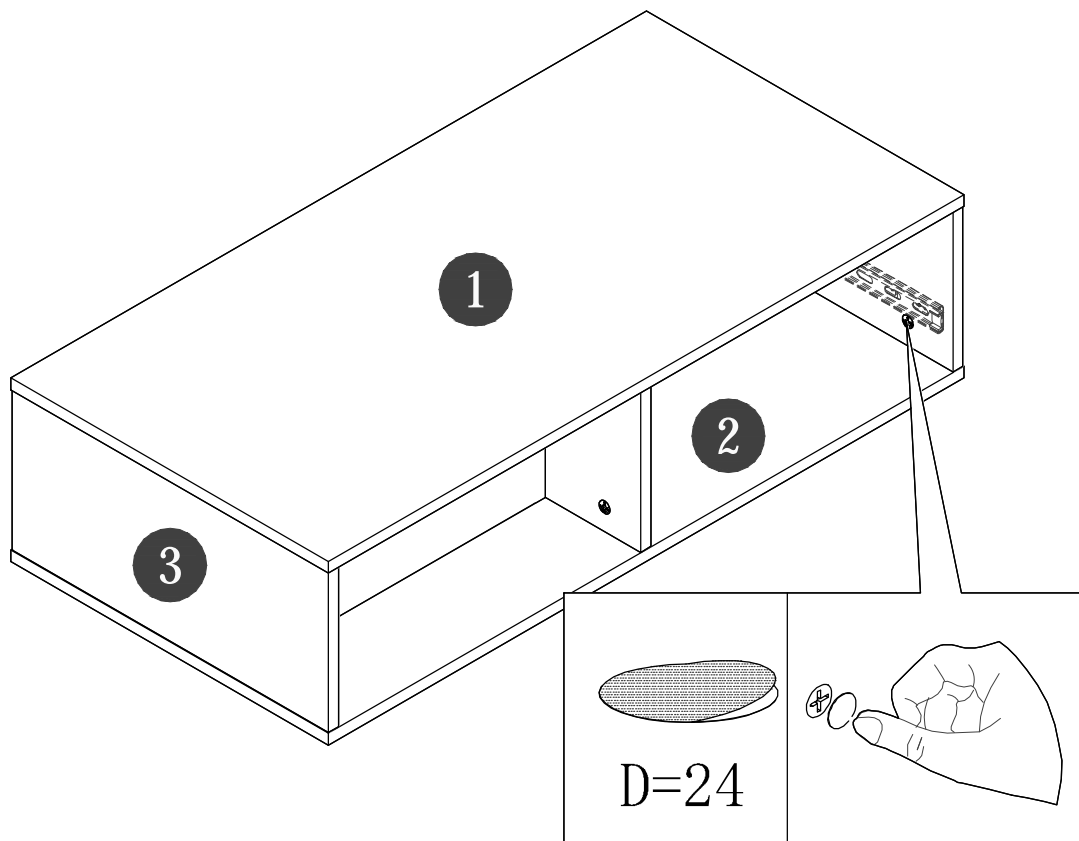
STEP 3



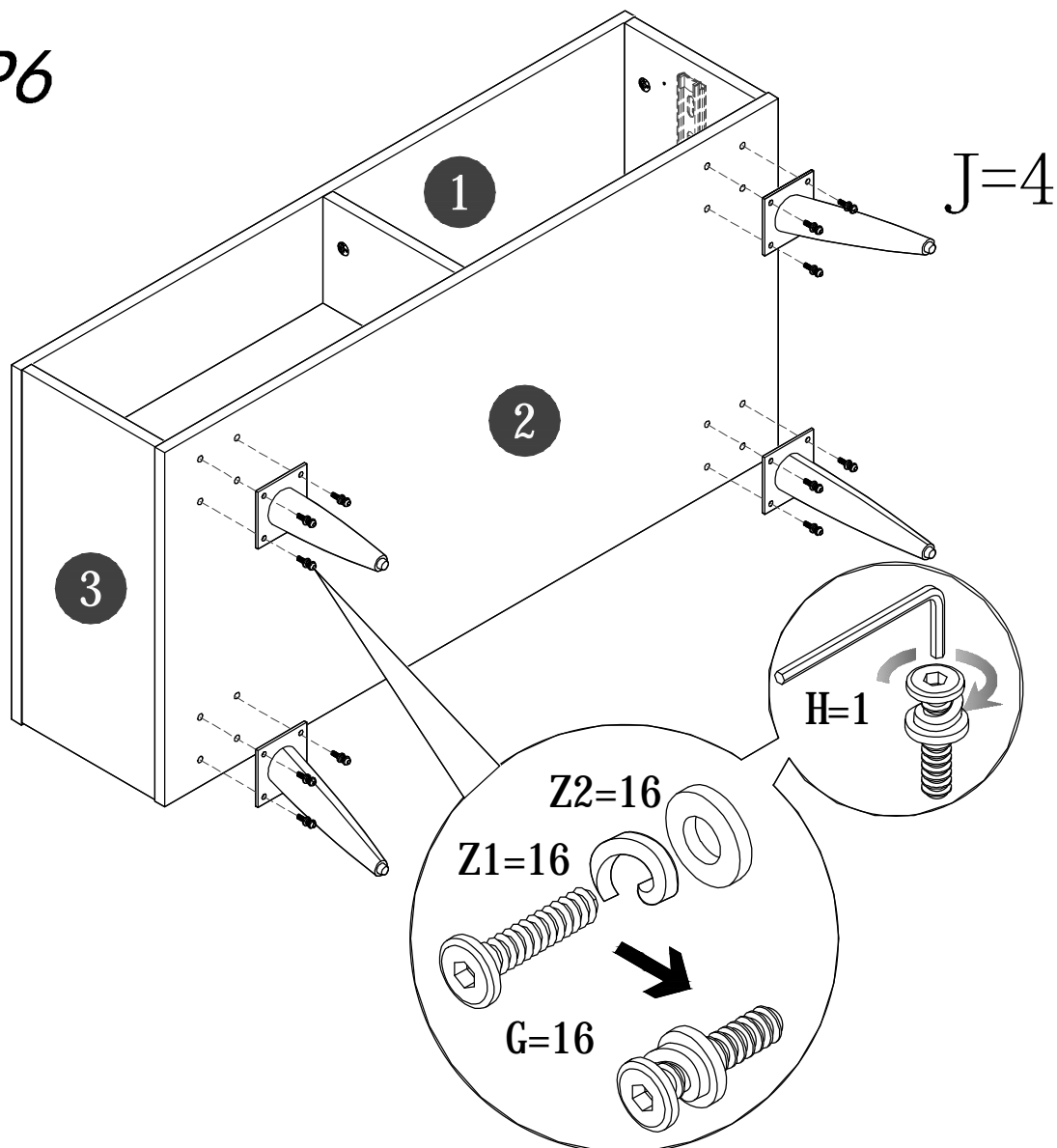
STEP 4



STEP5

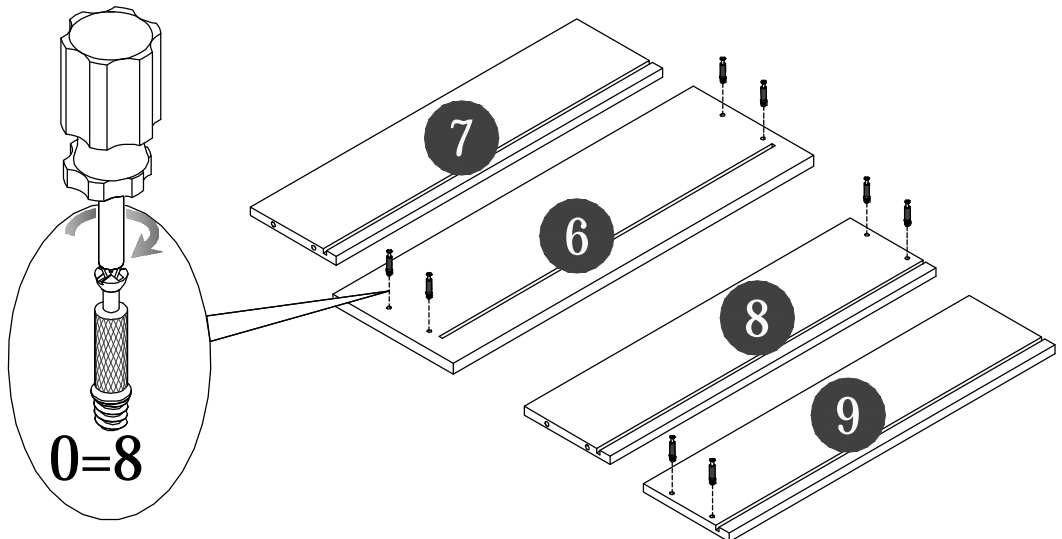


STEP6

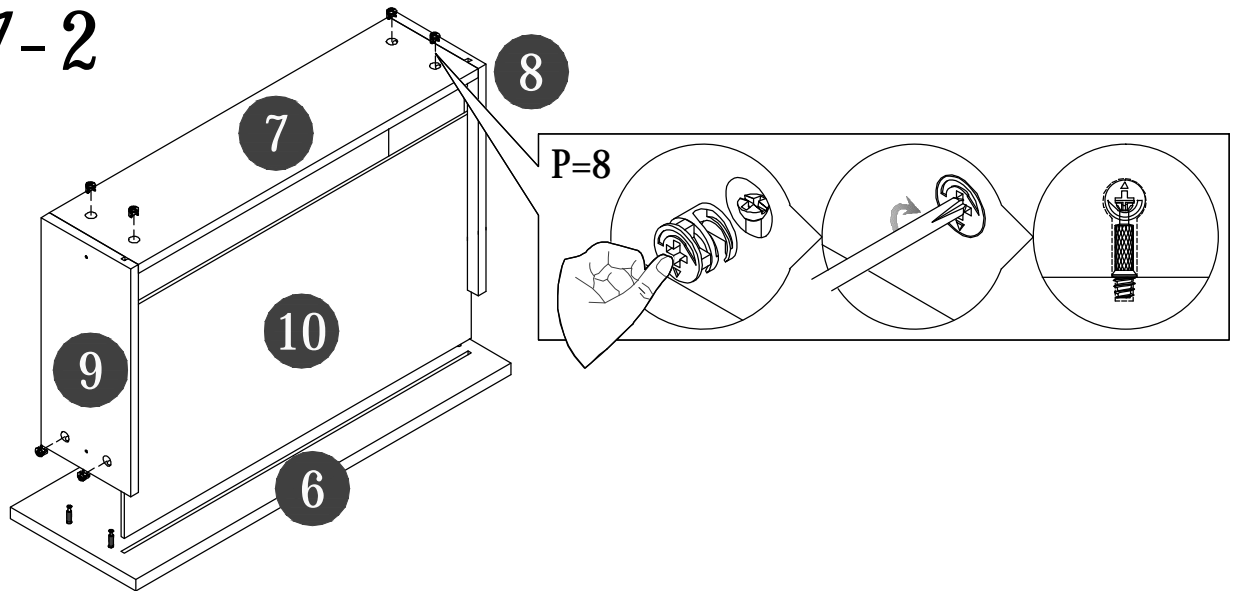


STEP 7

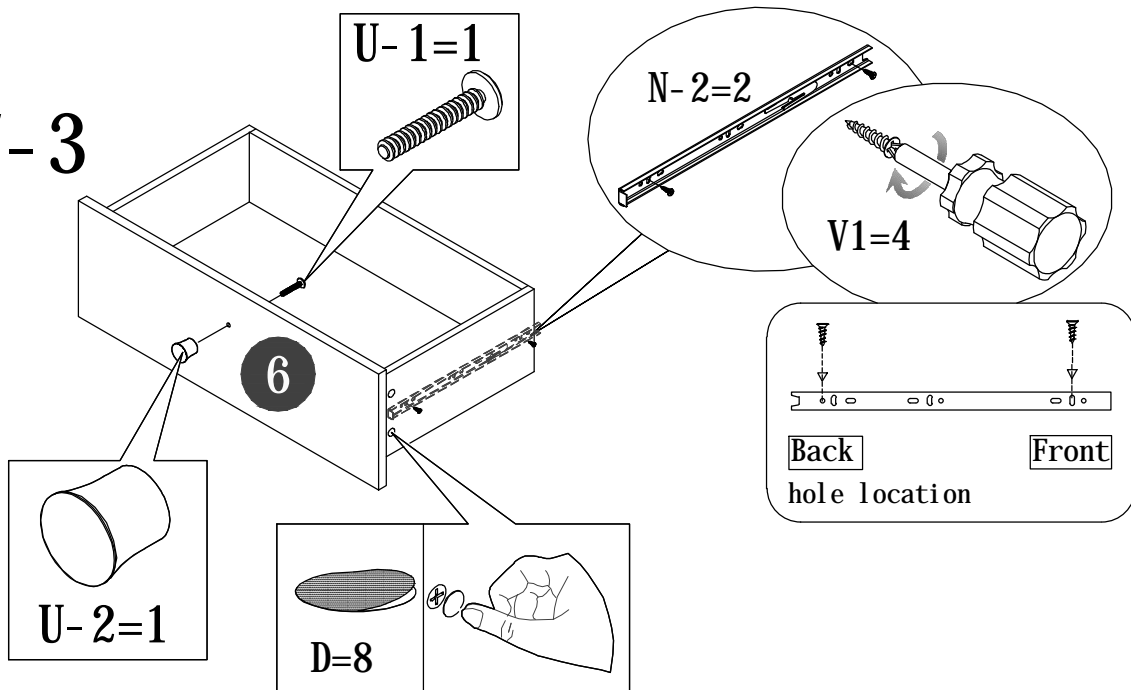
7-1



7-2

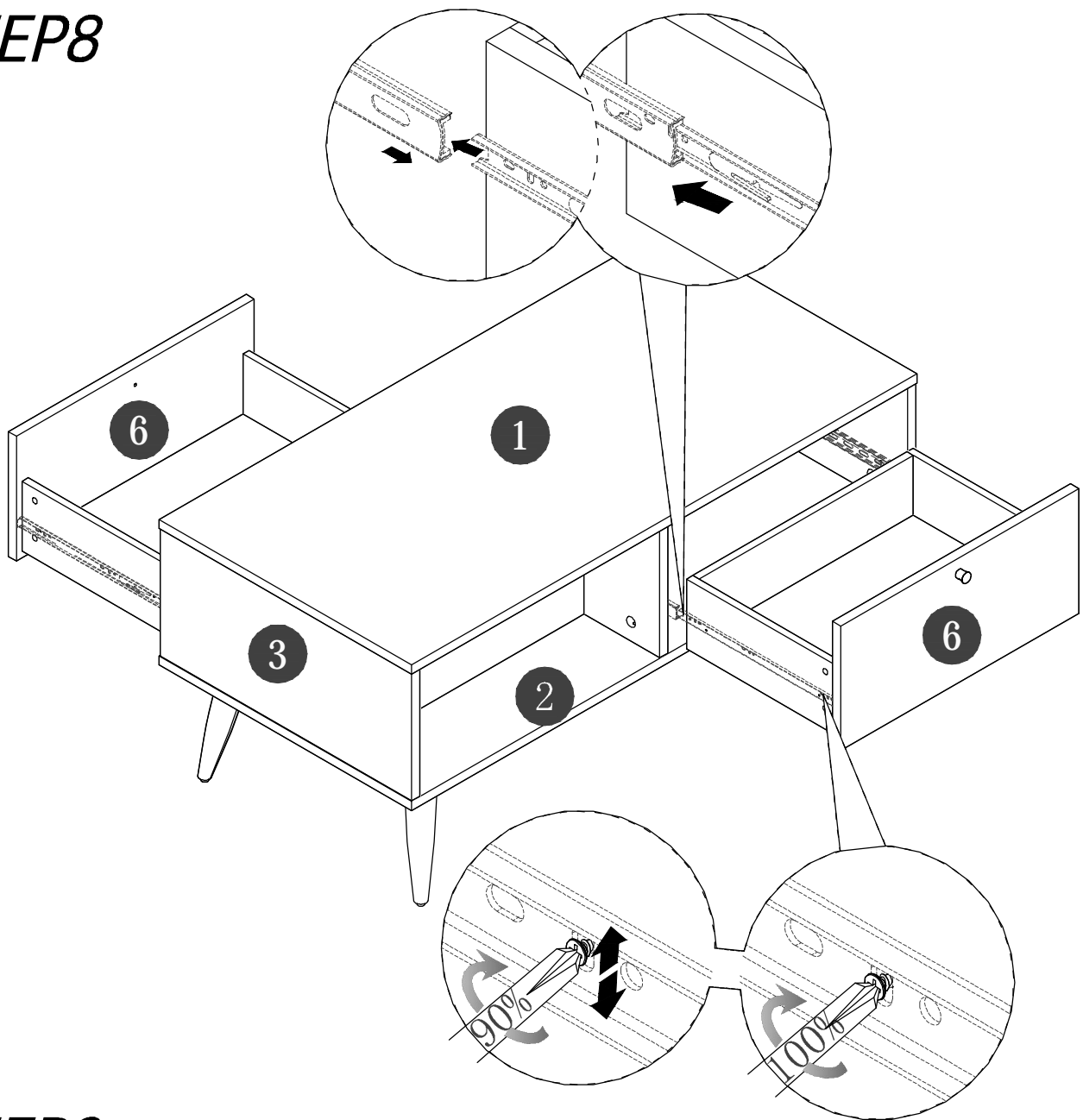


7-3

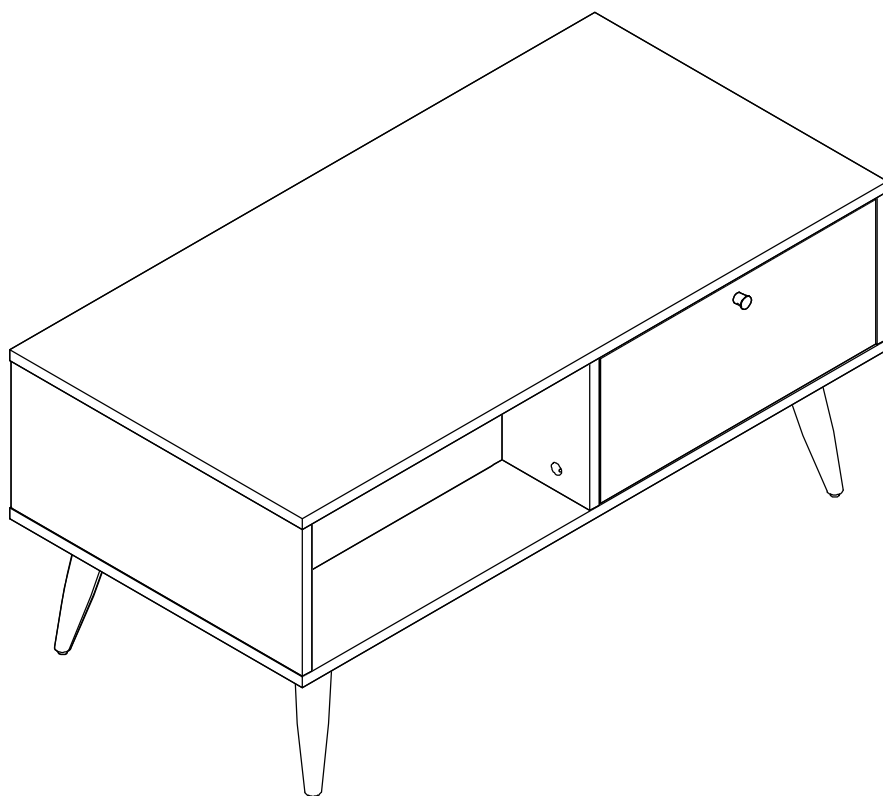


X2

STEP 8



STEP 9



Finish