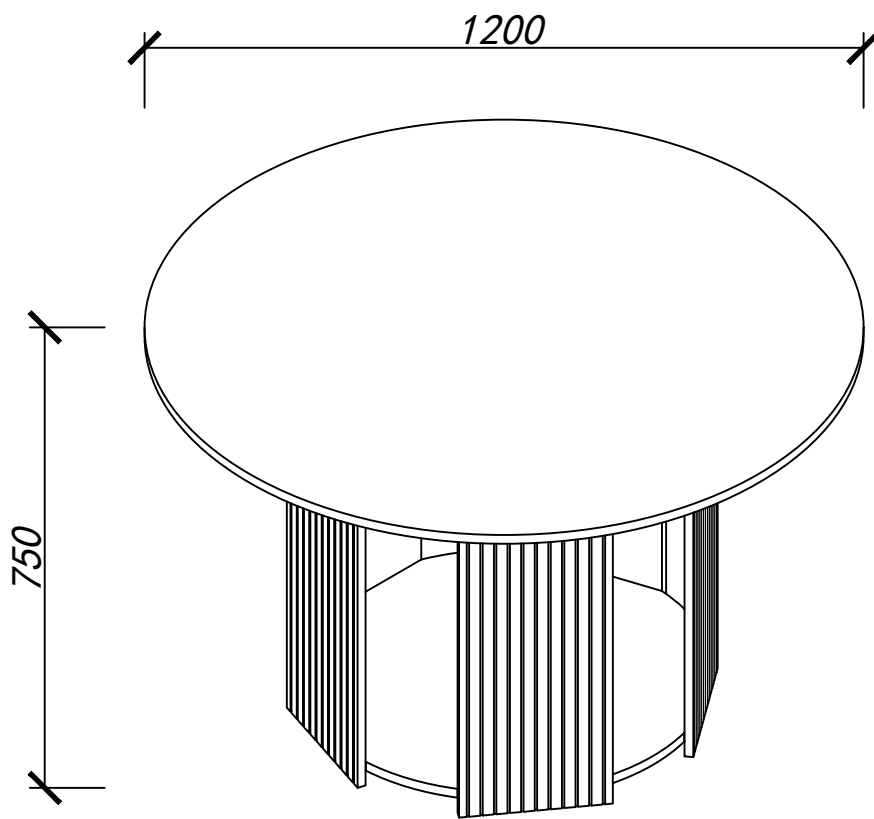
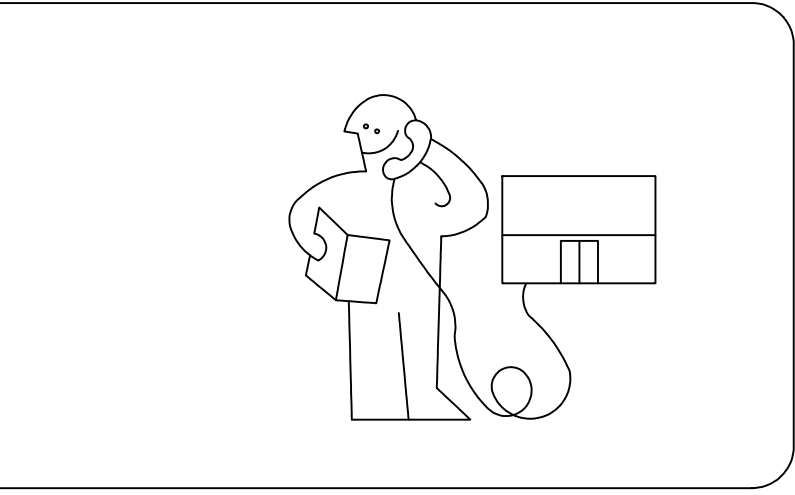
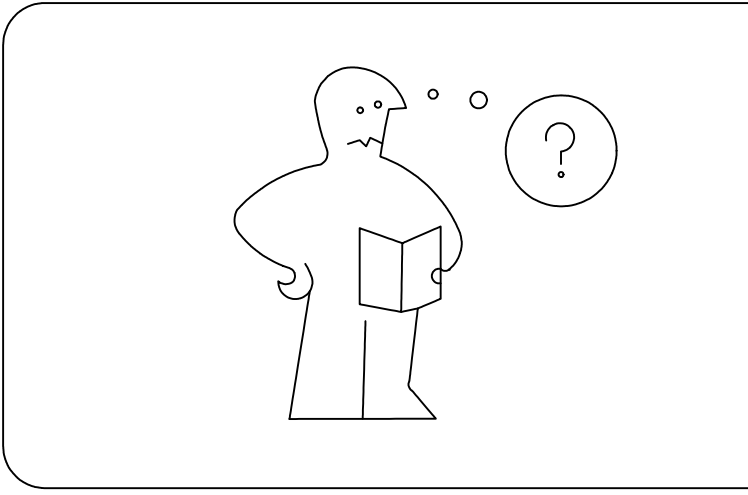
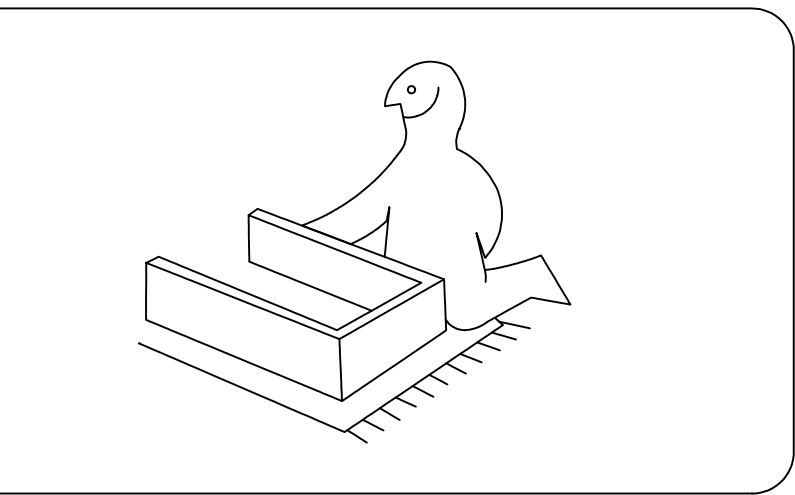
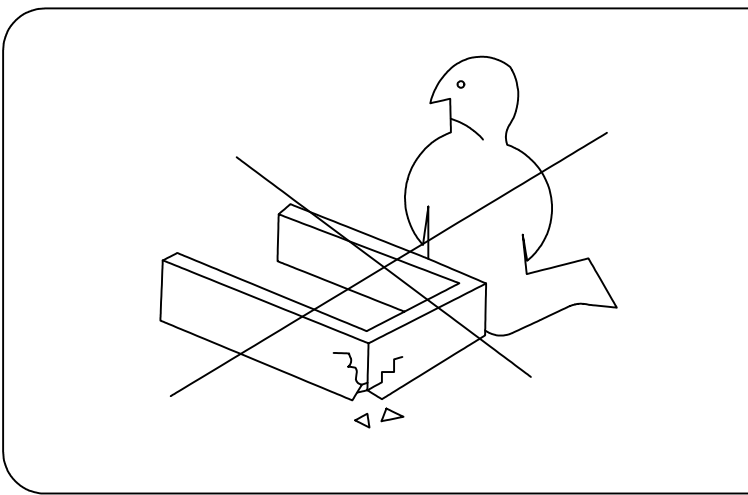
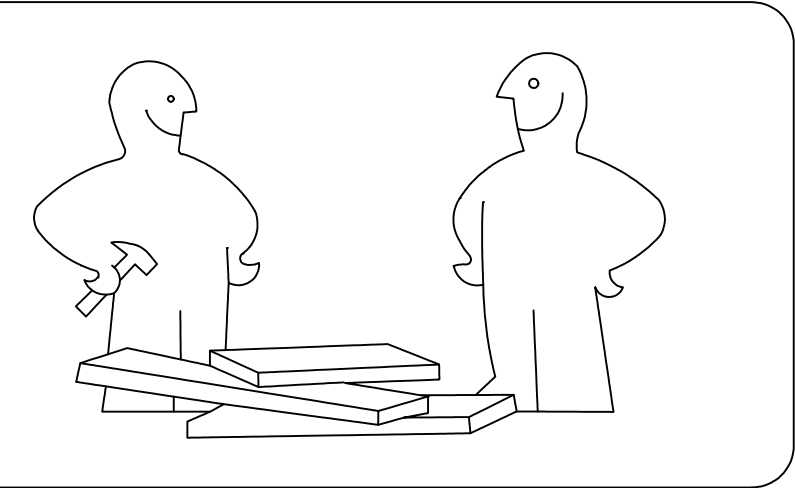
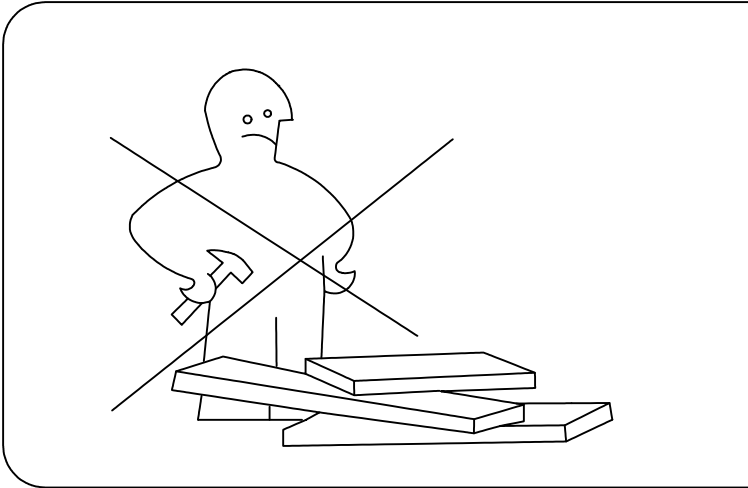
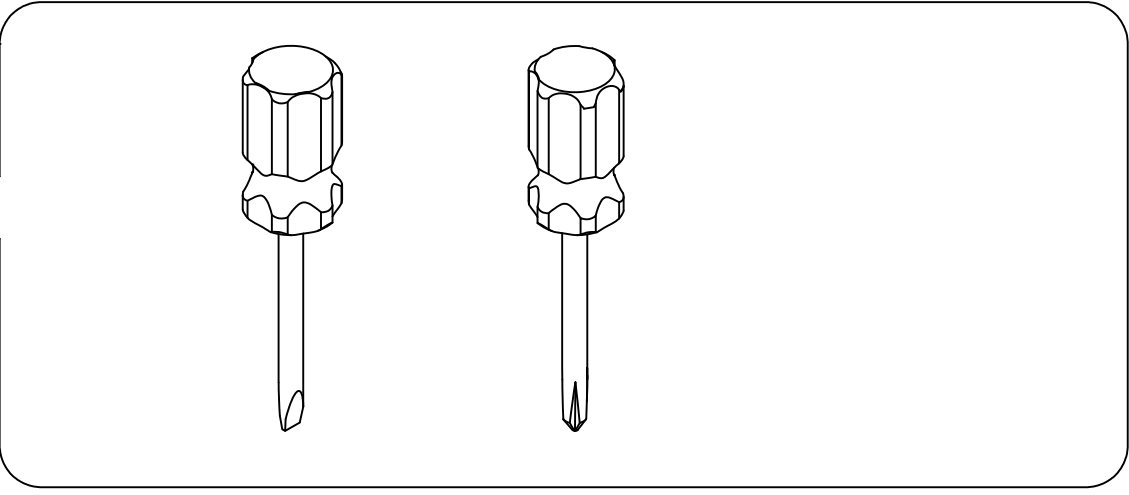
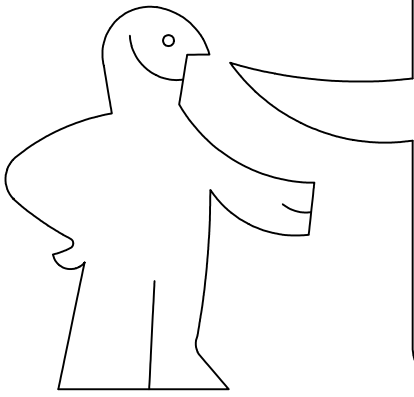
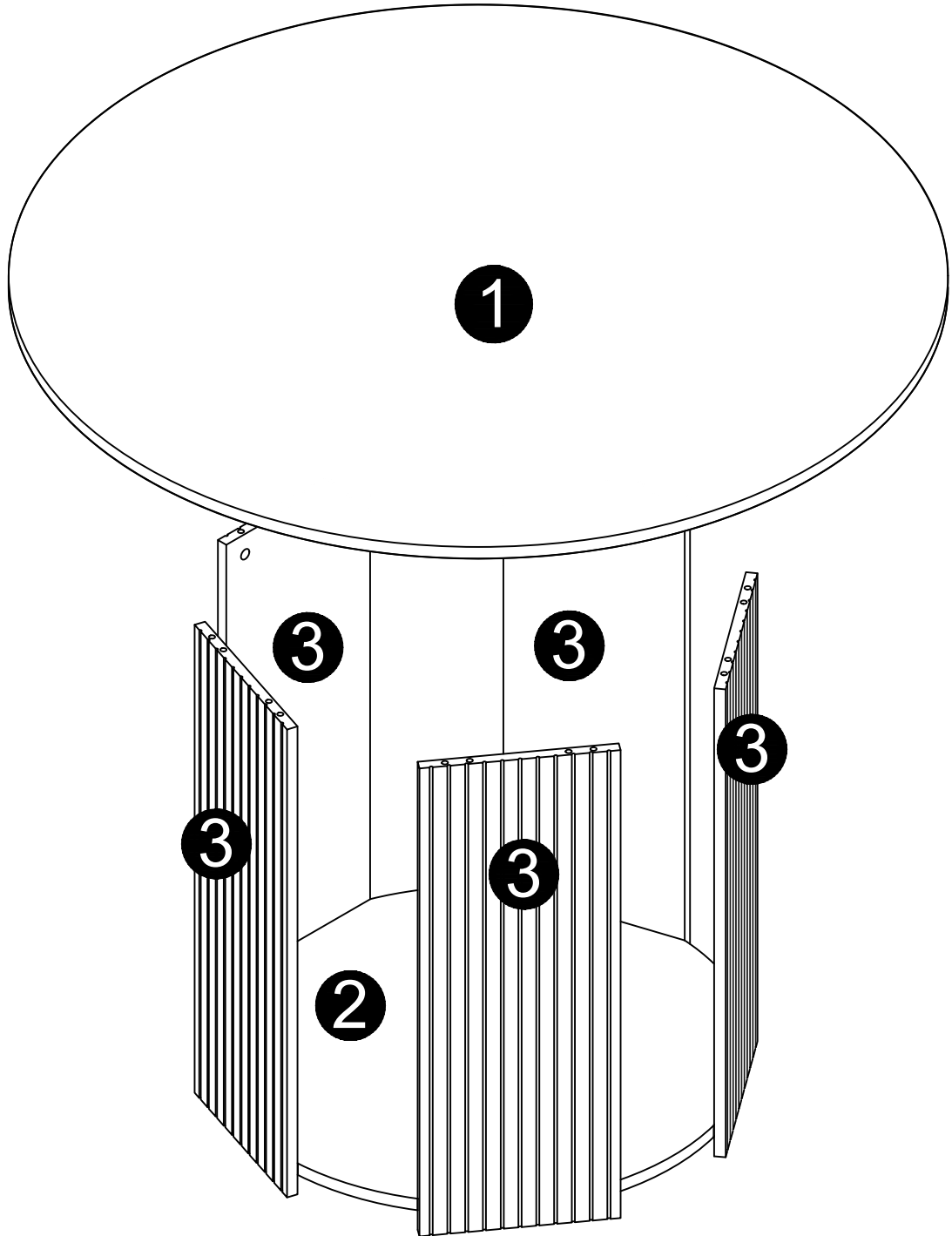


# Assembly Instruction





Panel No	Panel Sizes	Quantity
1	1200*1200*18	1
2	700*700*18	1
3	732*260*16	5



# Fittings



M6\*40

A=20



$\Phi 8*30$

B=20



$\Phi 15*12$

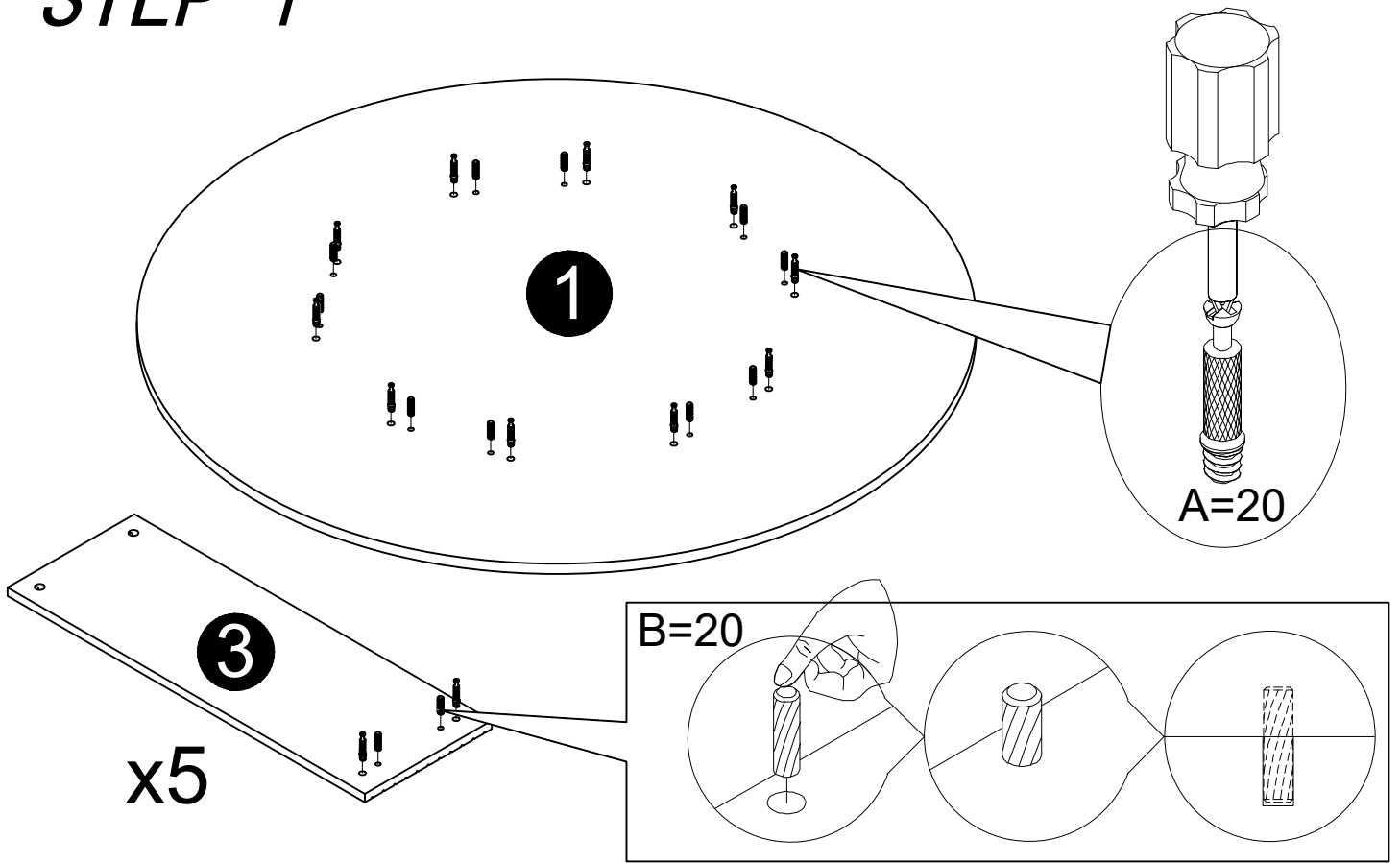
C=20



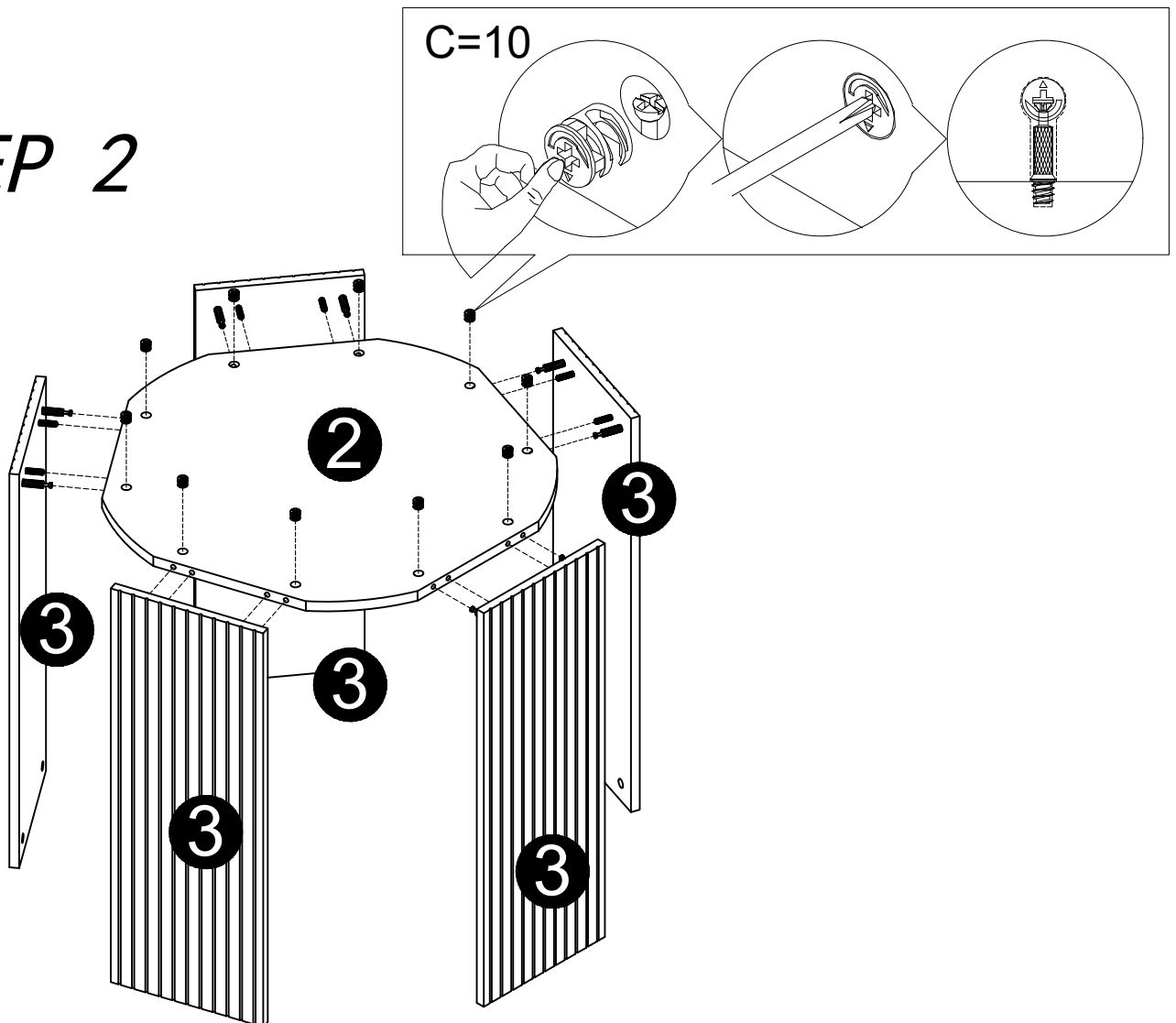
$\Phi 21$

D1=20

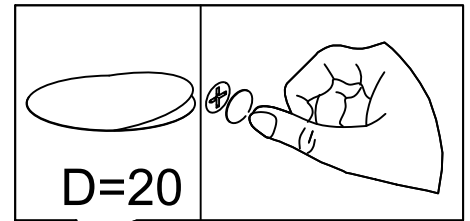
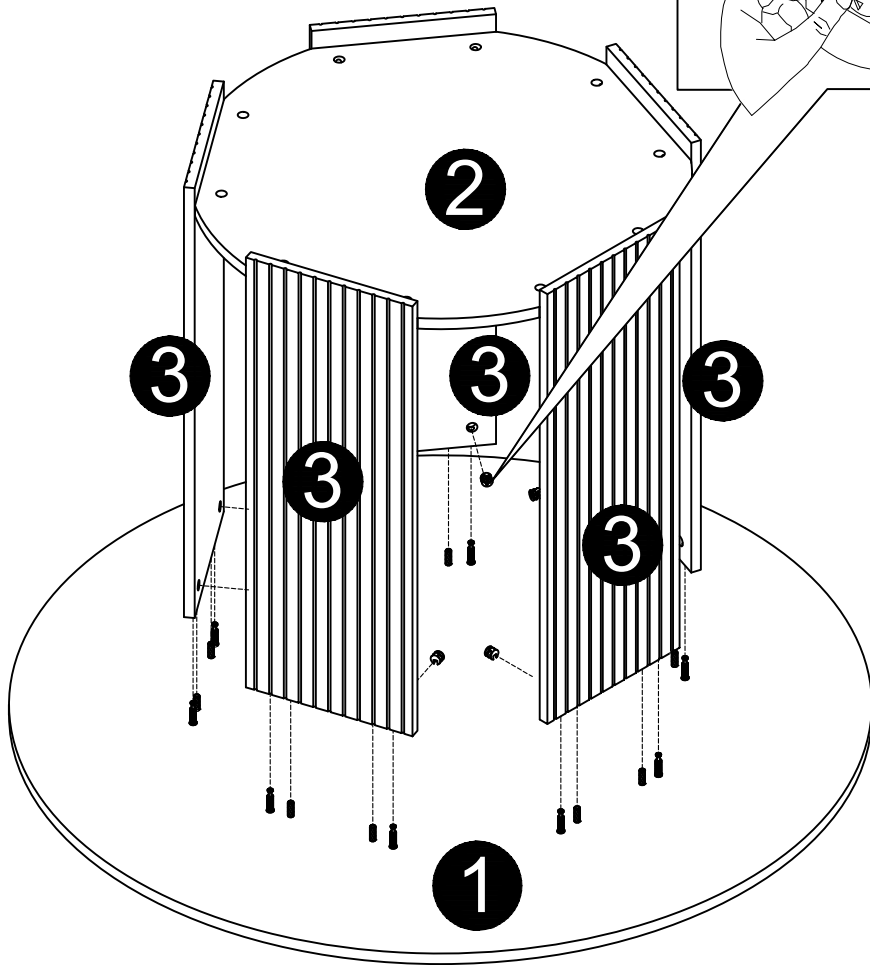
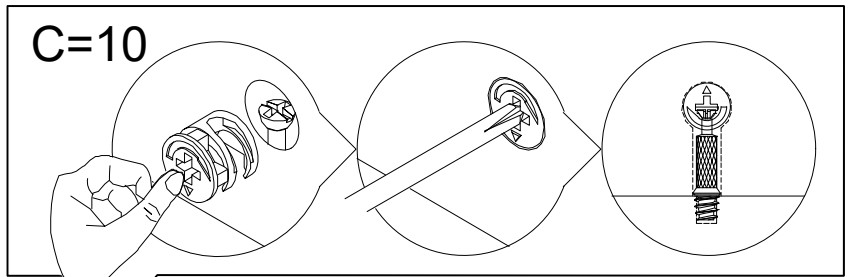
# STEP 1



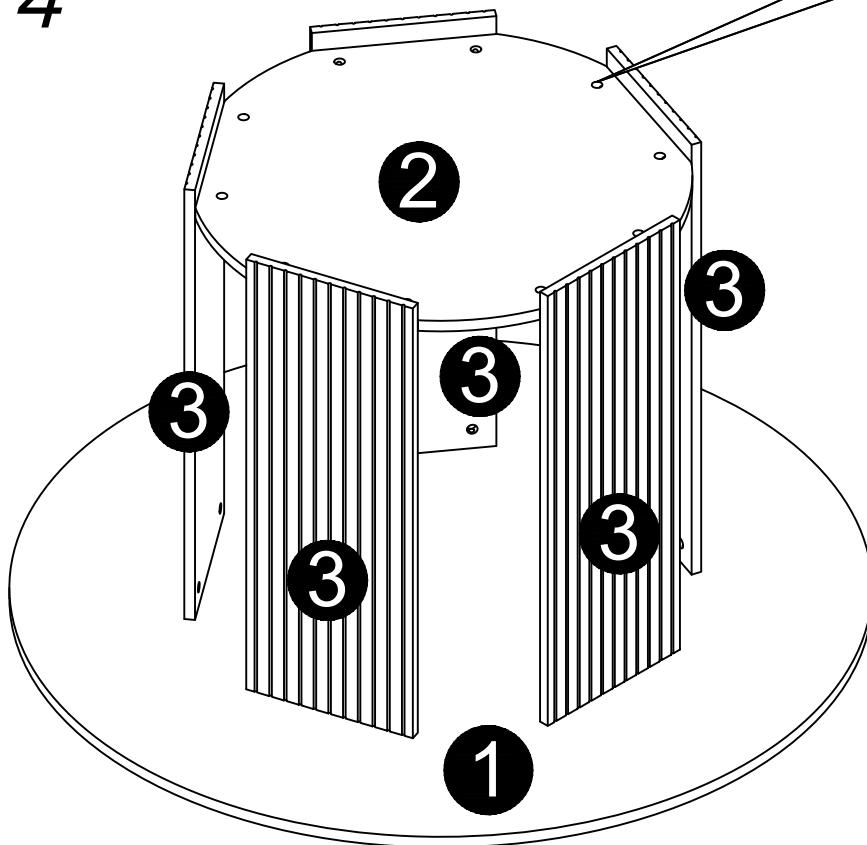
# STEP 2



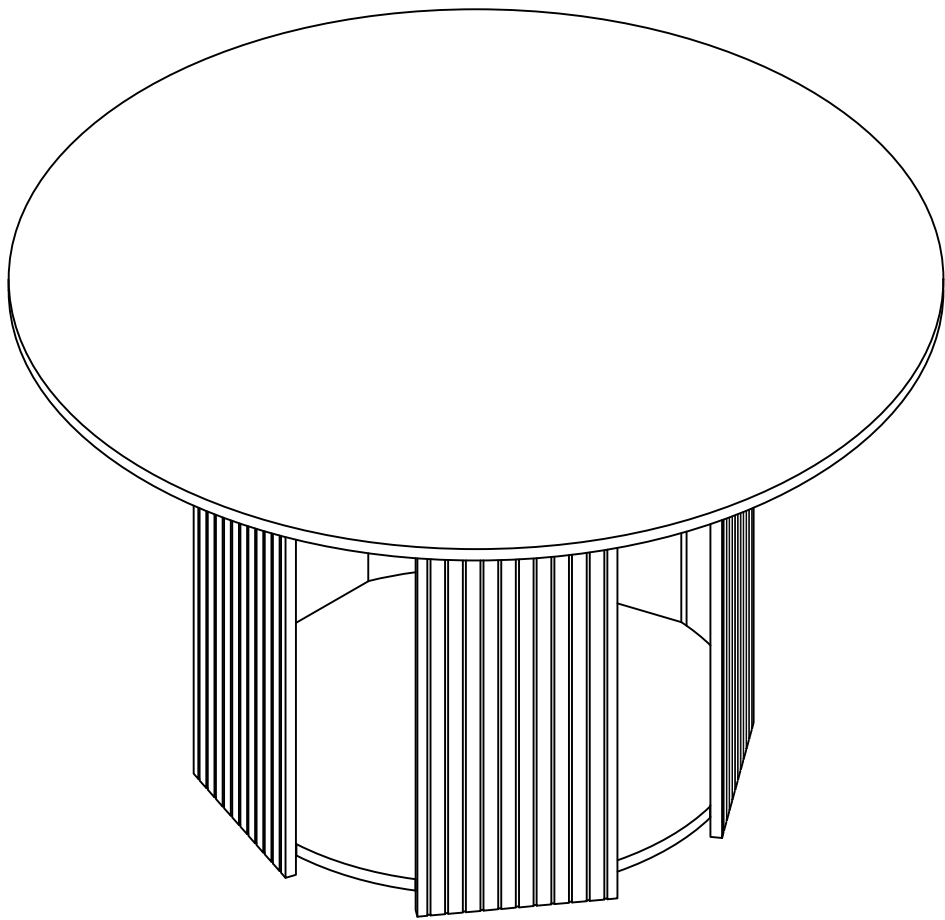
# STEP 3



# STEP 4



*STEP 5*



*Finish*