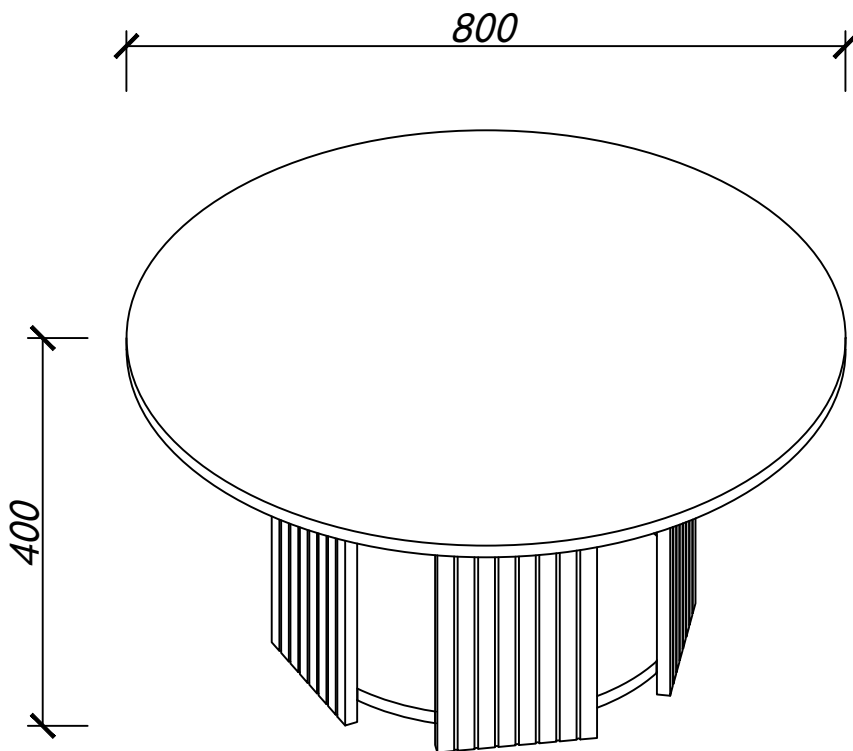
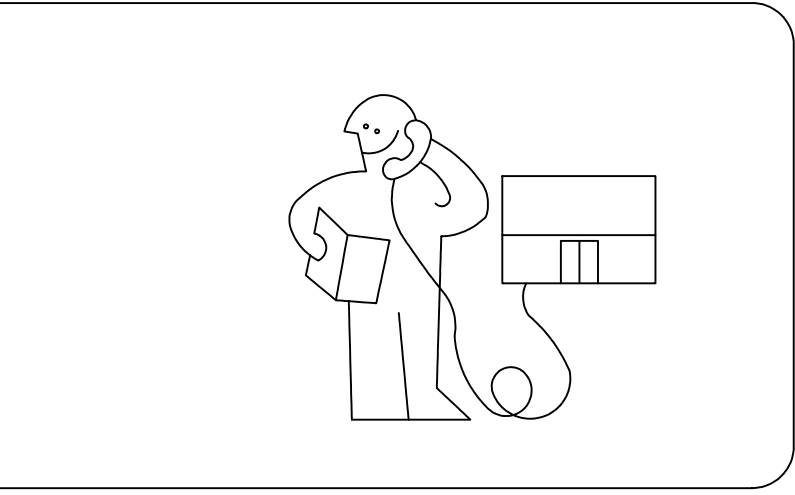
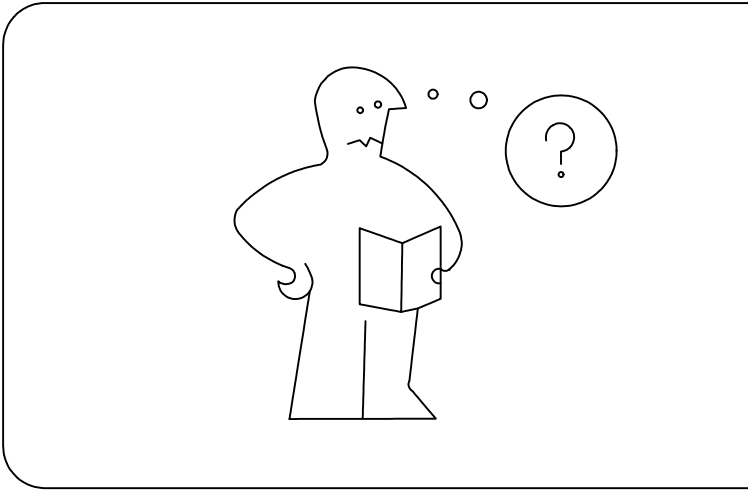
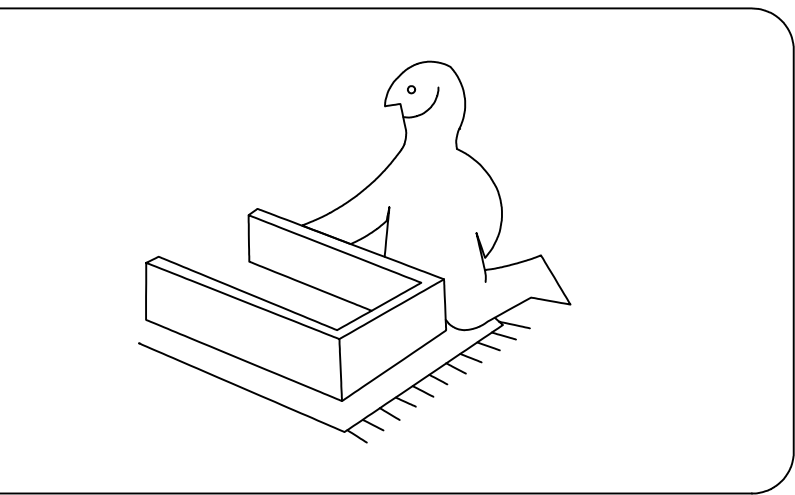
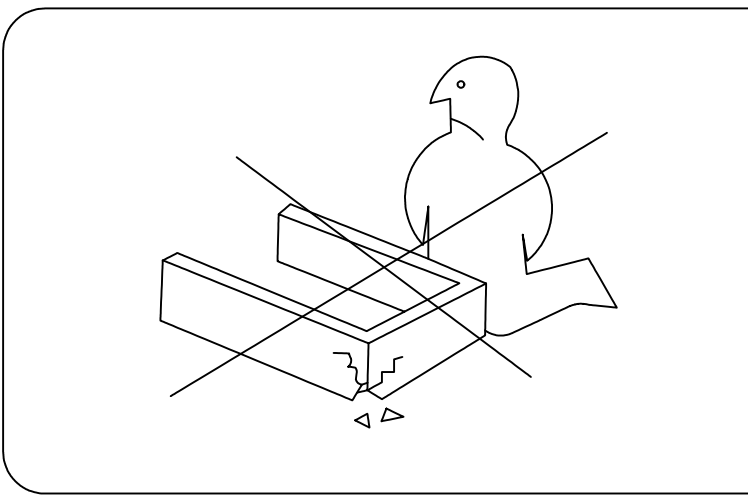
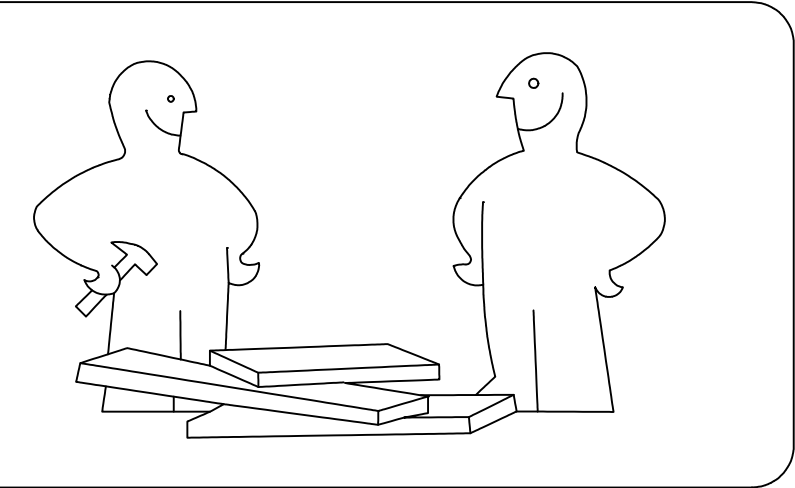
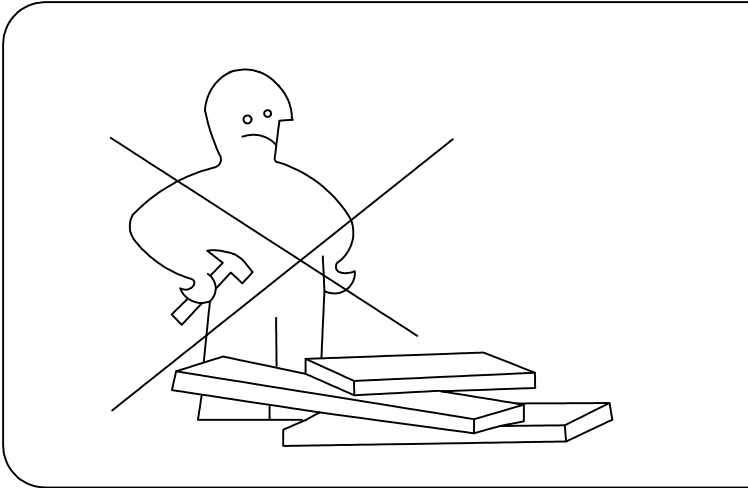
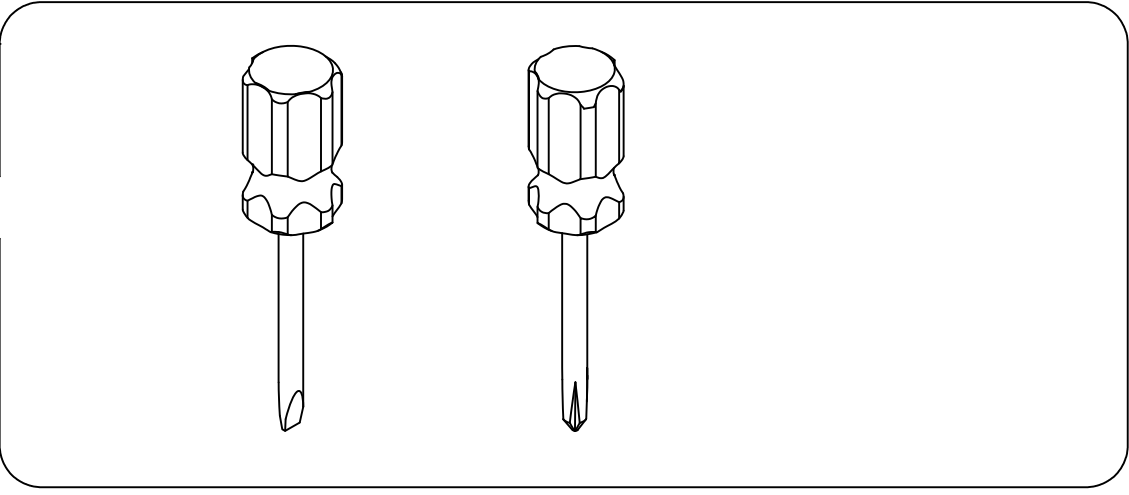
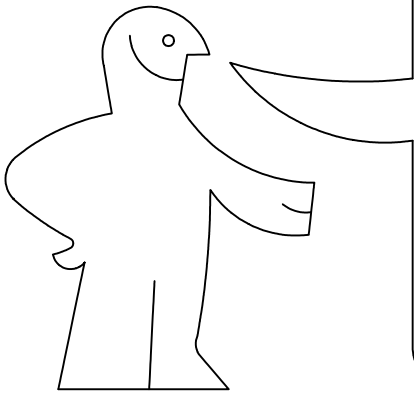
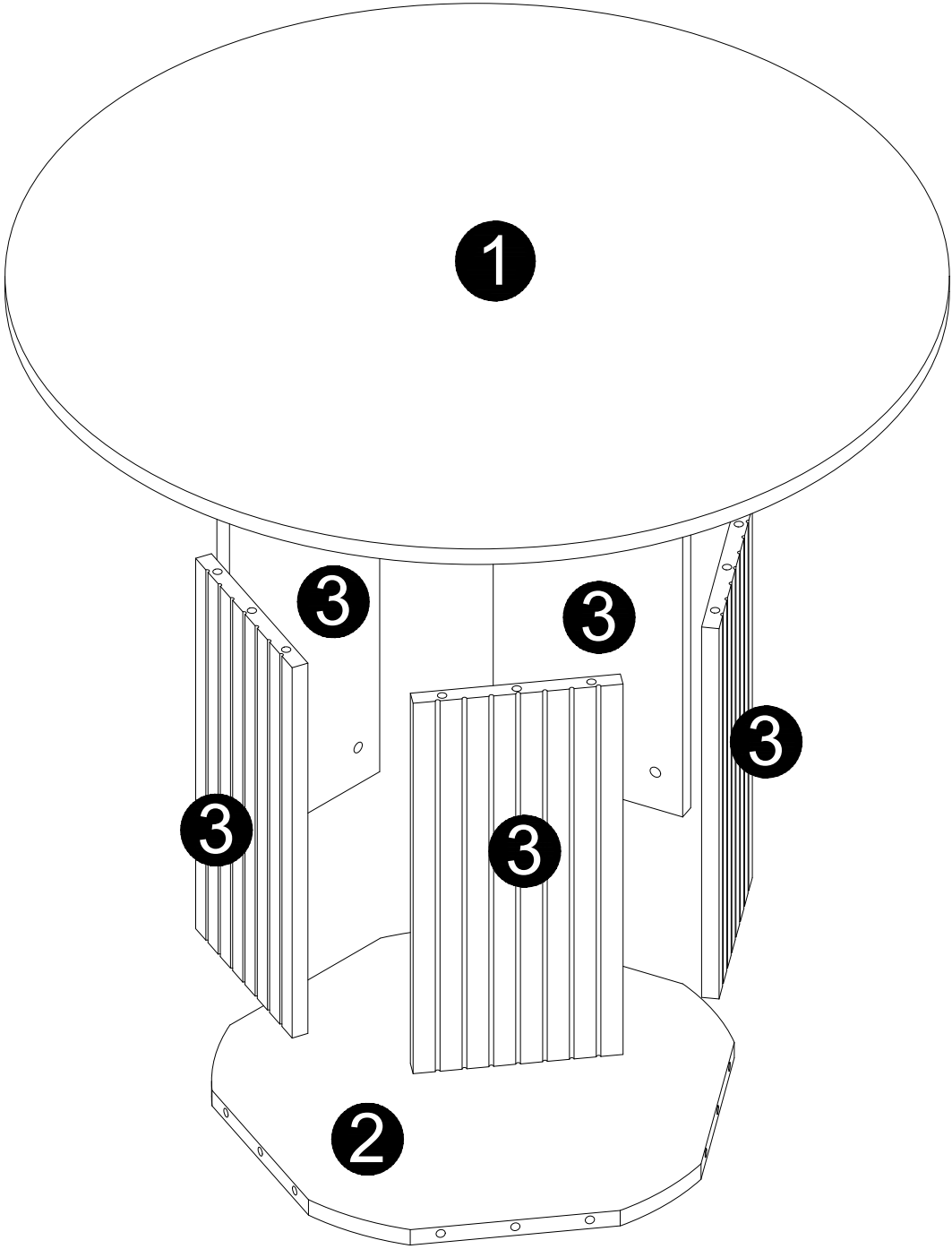


# Assembly Instruction





Panel No	Panel Sizes	Quantity
1	800*800*16	1
2	450*450*16	1
3	384*180*16	5



# Fittings



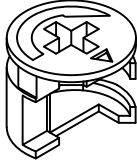
M6\*40

A=20



$\Phi 8*30$

B=10



$\Phi 15*12$

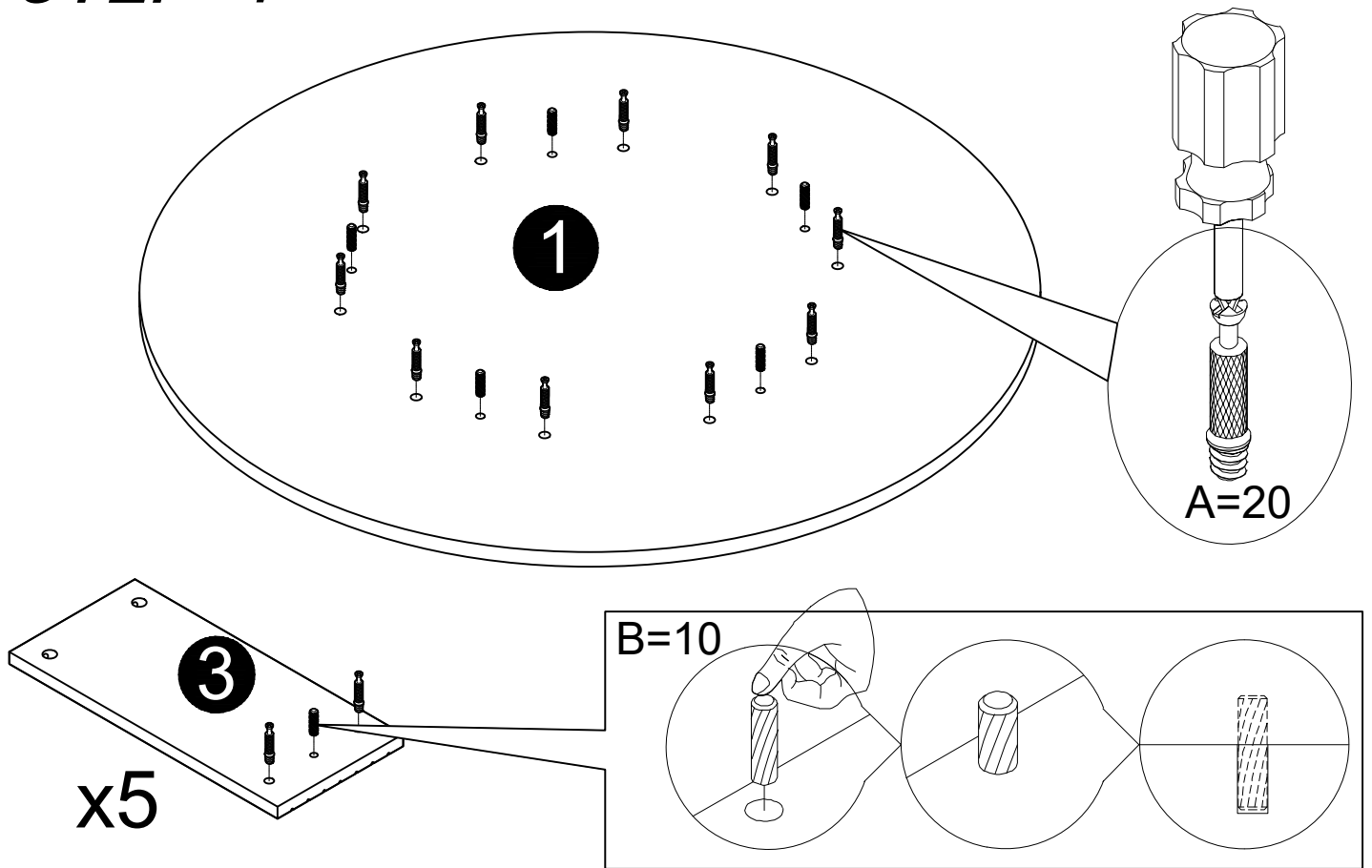
C=20



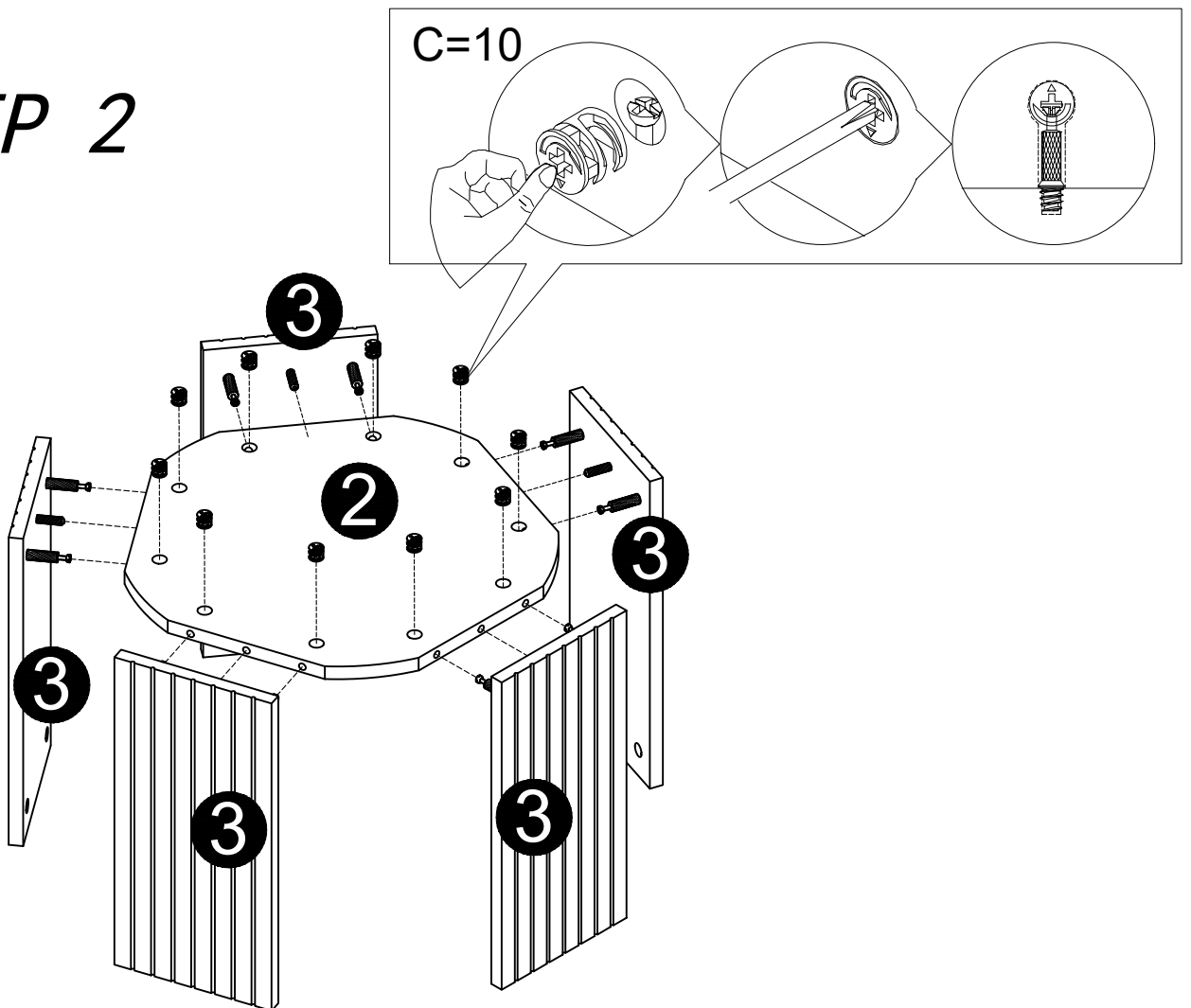
$\Phi 21$

D1=20

# STEP 1

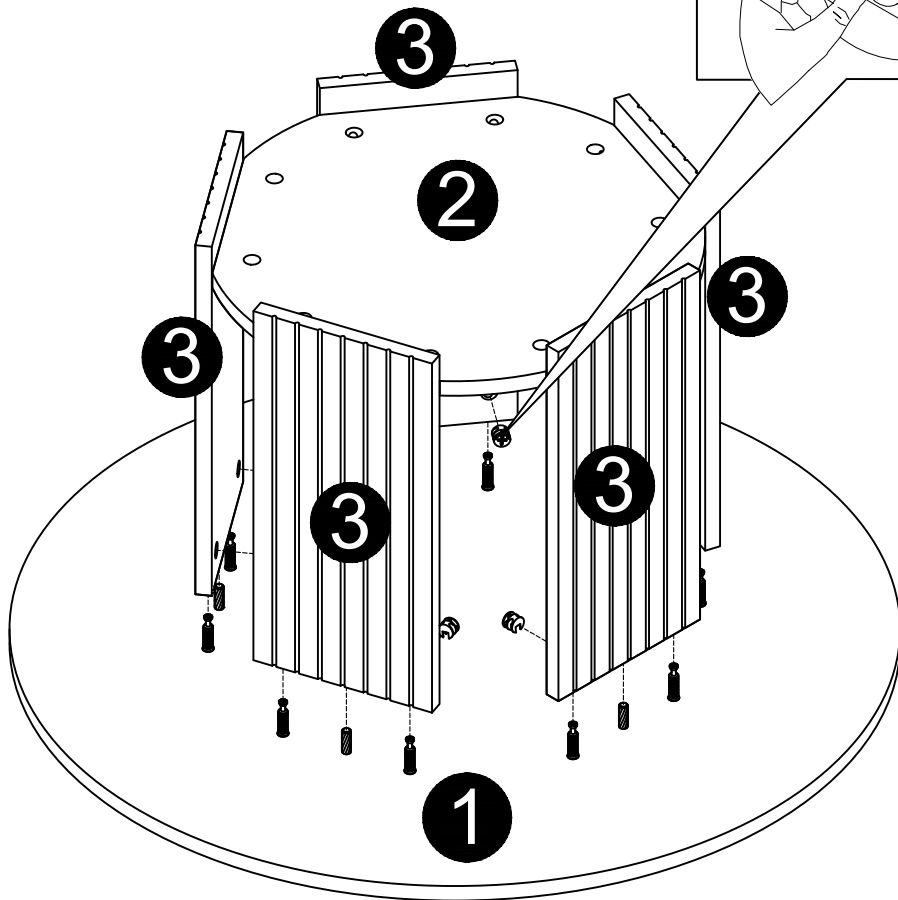
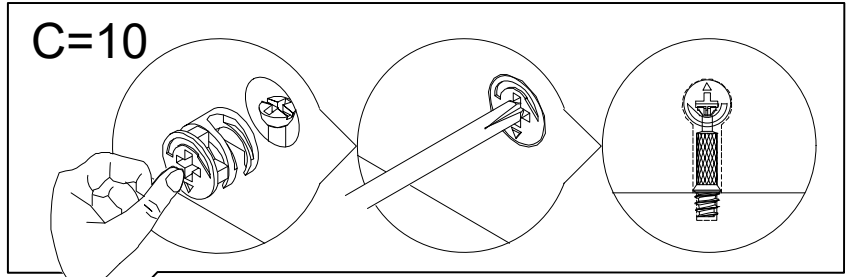


# STEP 2



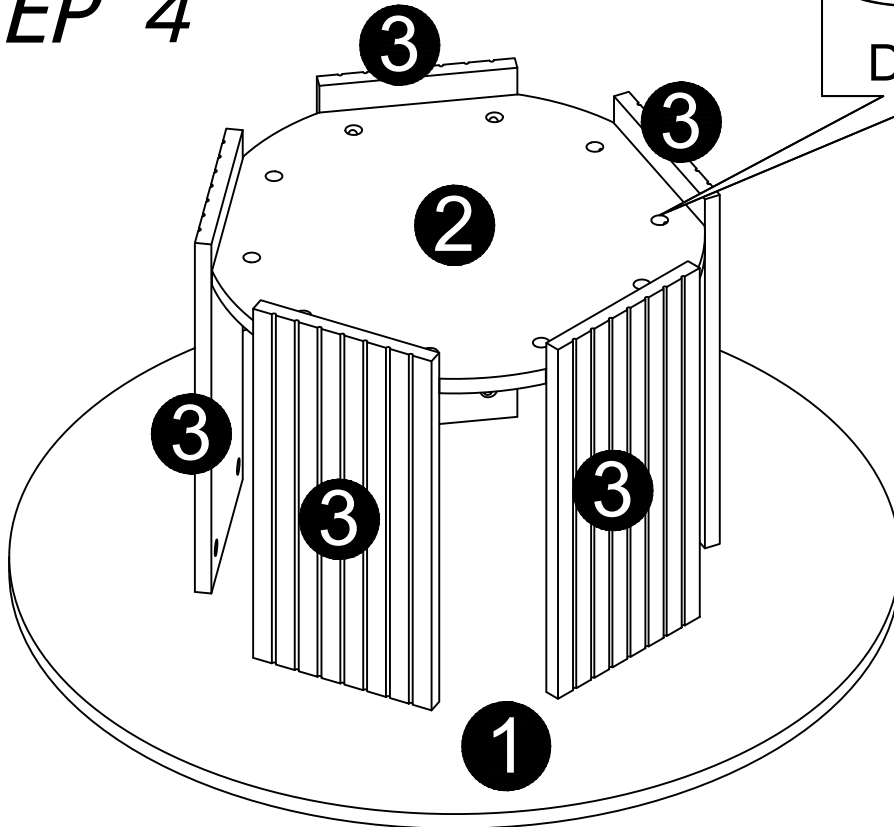
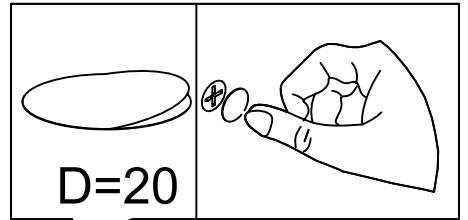
# STEP 3

C=10

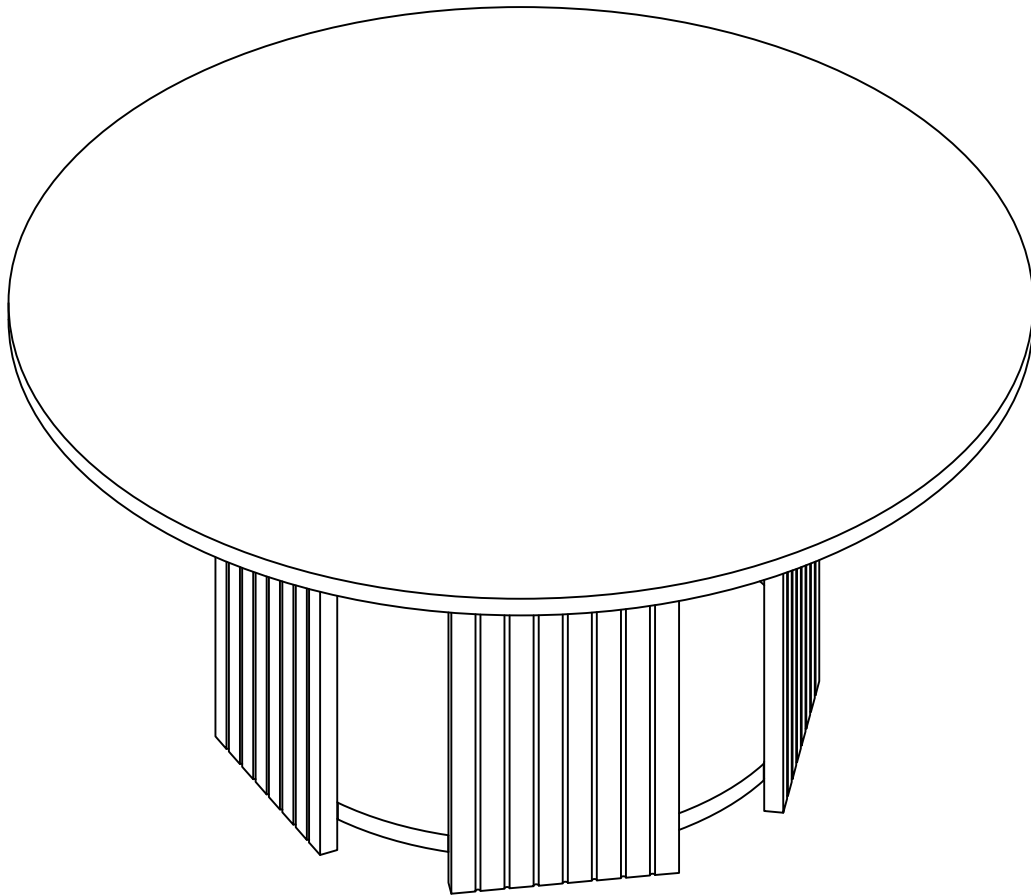


# STEP 4

D=20



# *STEP 5*



*Finish*