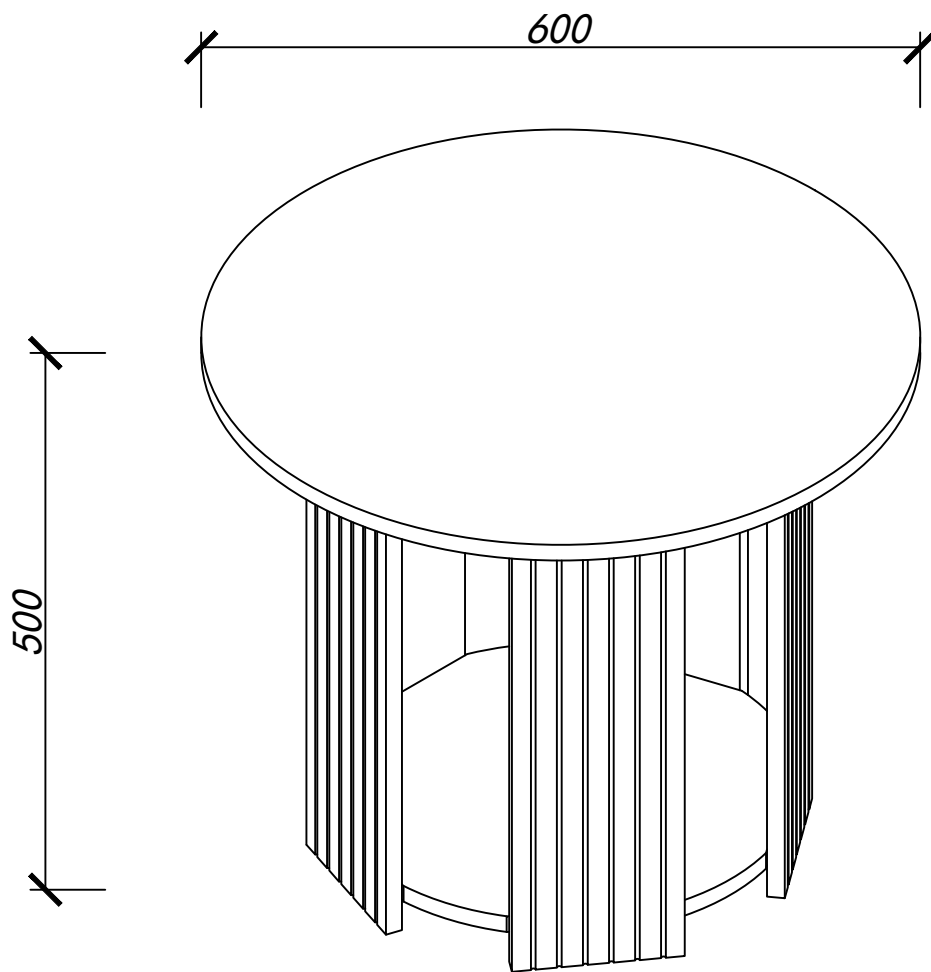
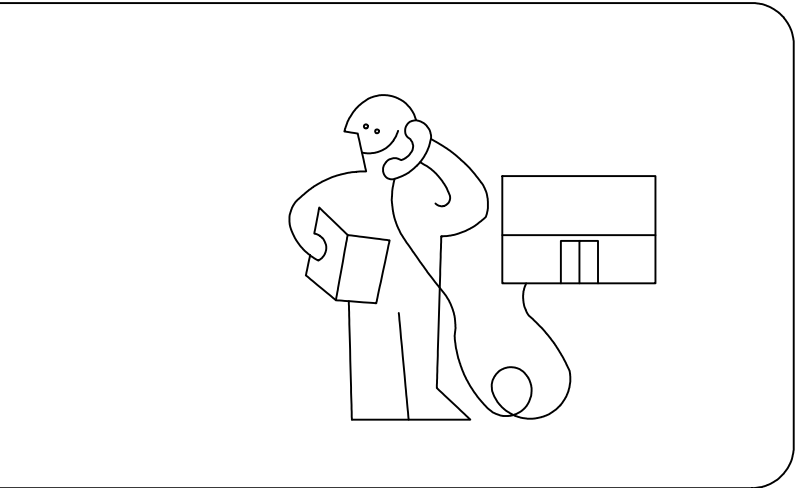
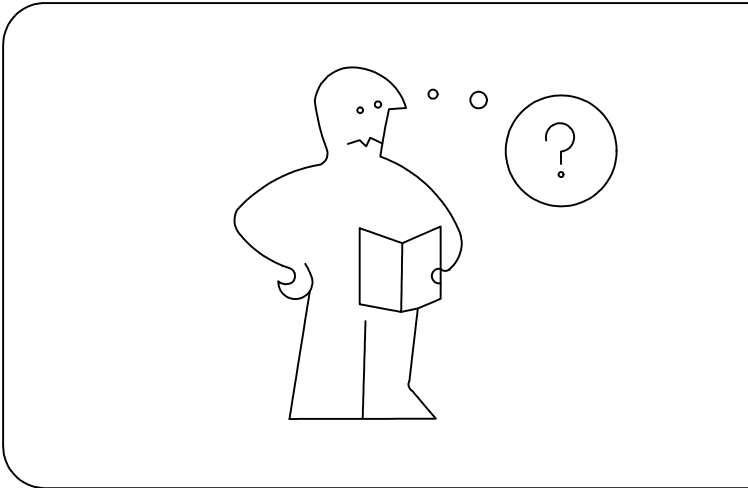
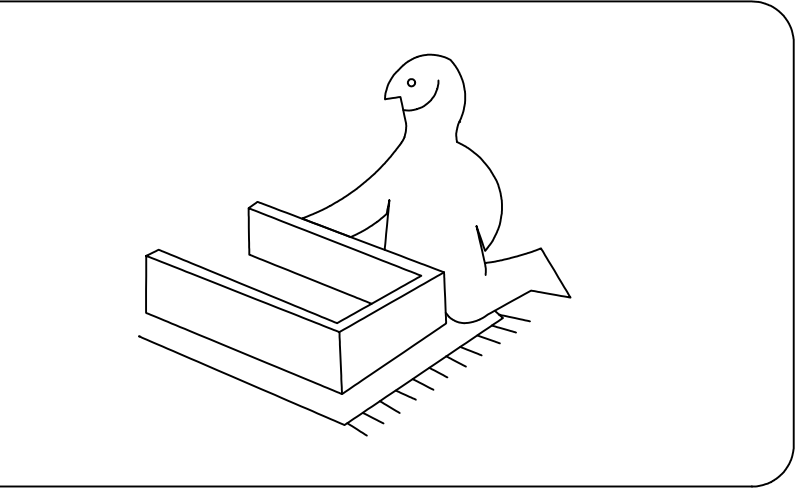
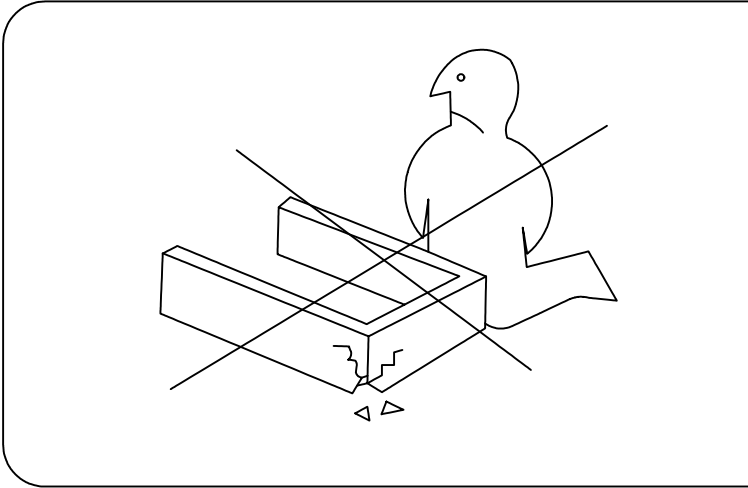
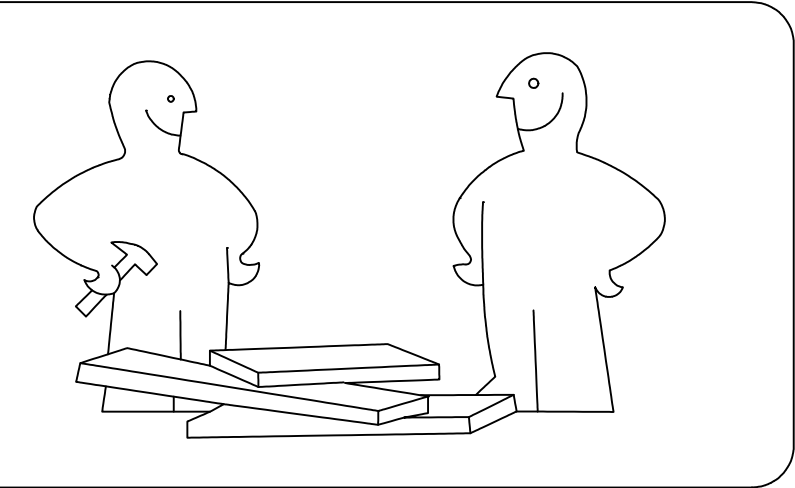
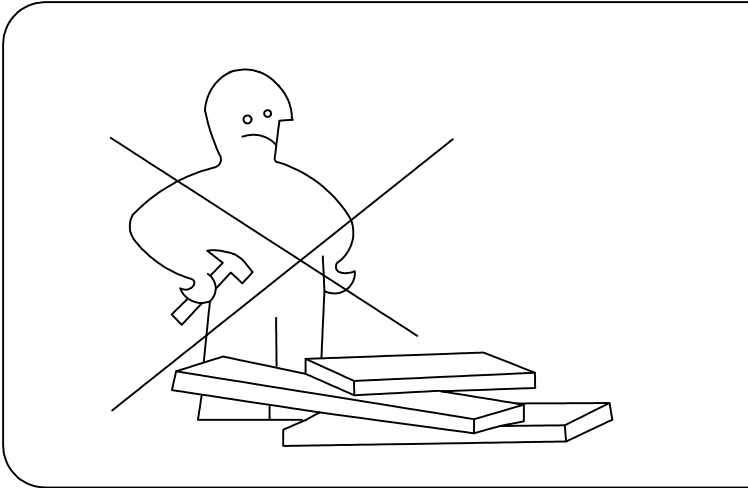
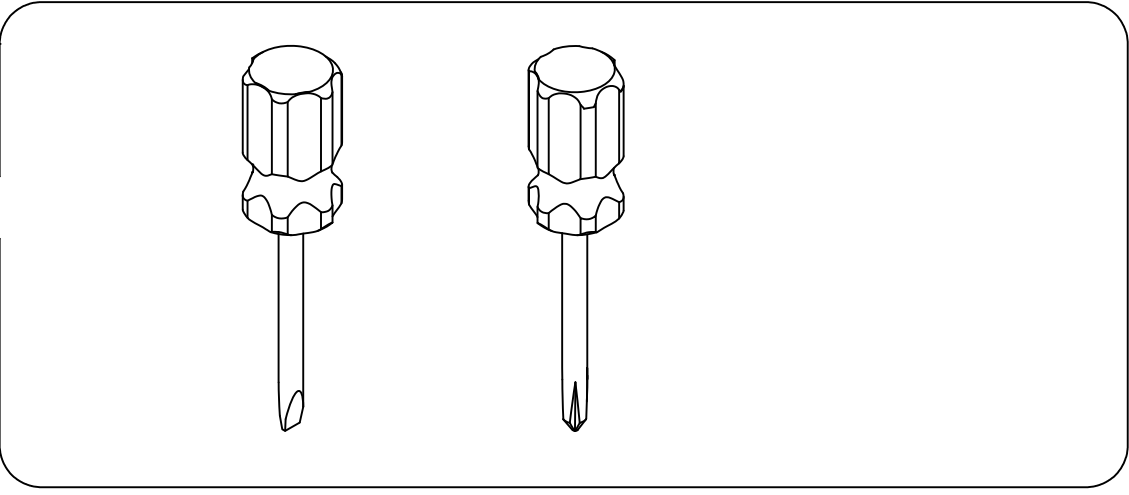
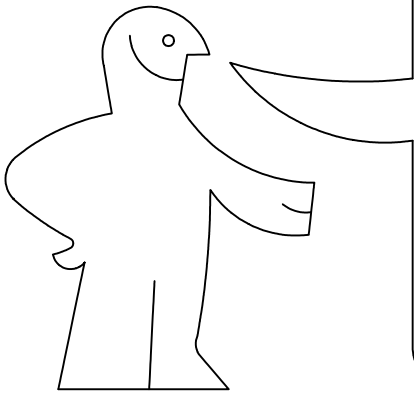
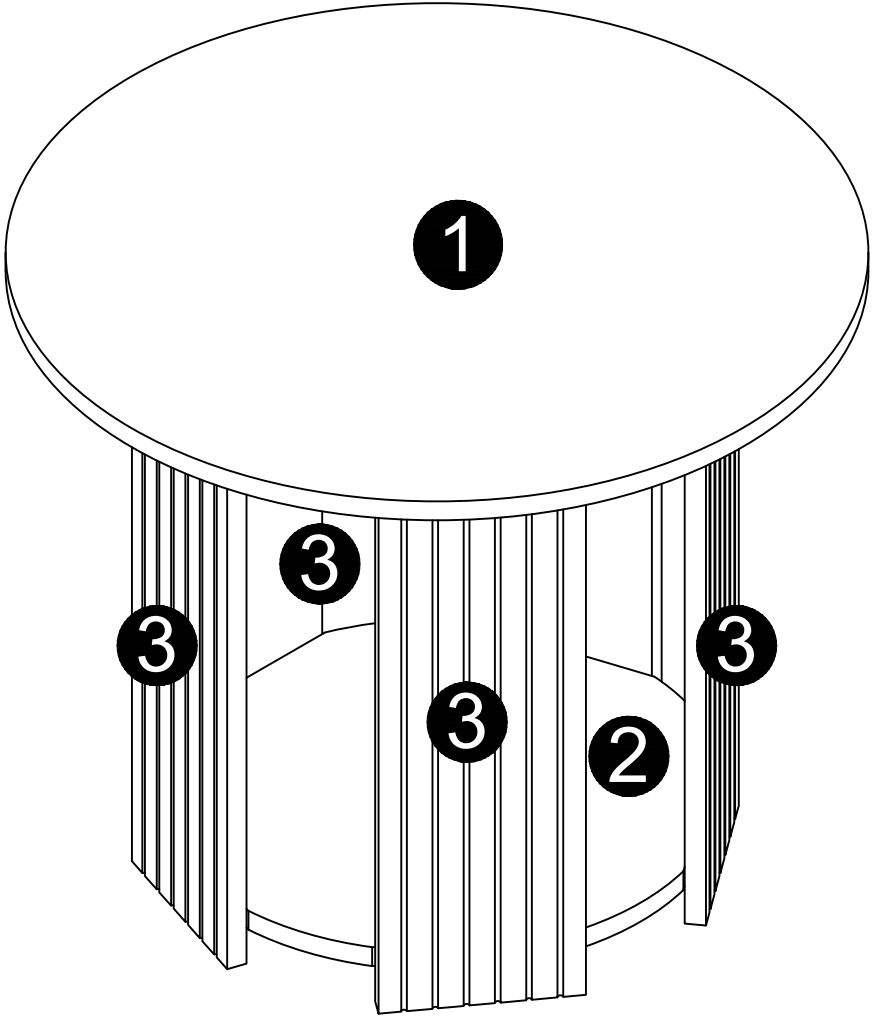


Assembly Instruction





Panel No	Panel Sizes	Quantity
1	600*600*16	1
2	400*400*16	1
3	484*150*16	5



Fittings



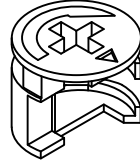
M6*40

A=20



$\Phi 8*30$

B=10



$\Phi 15*12$

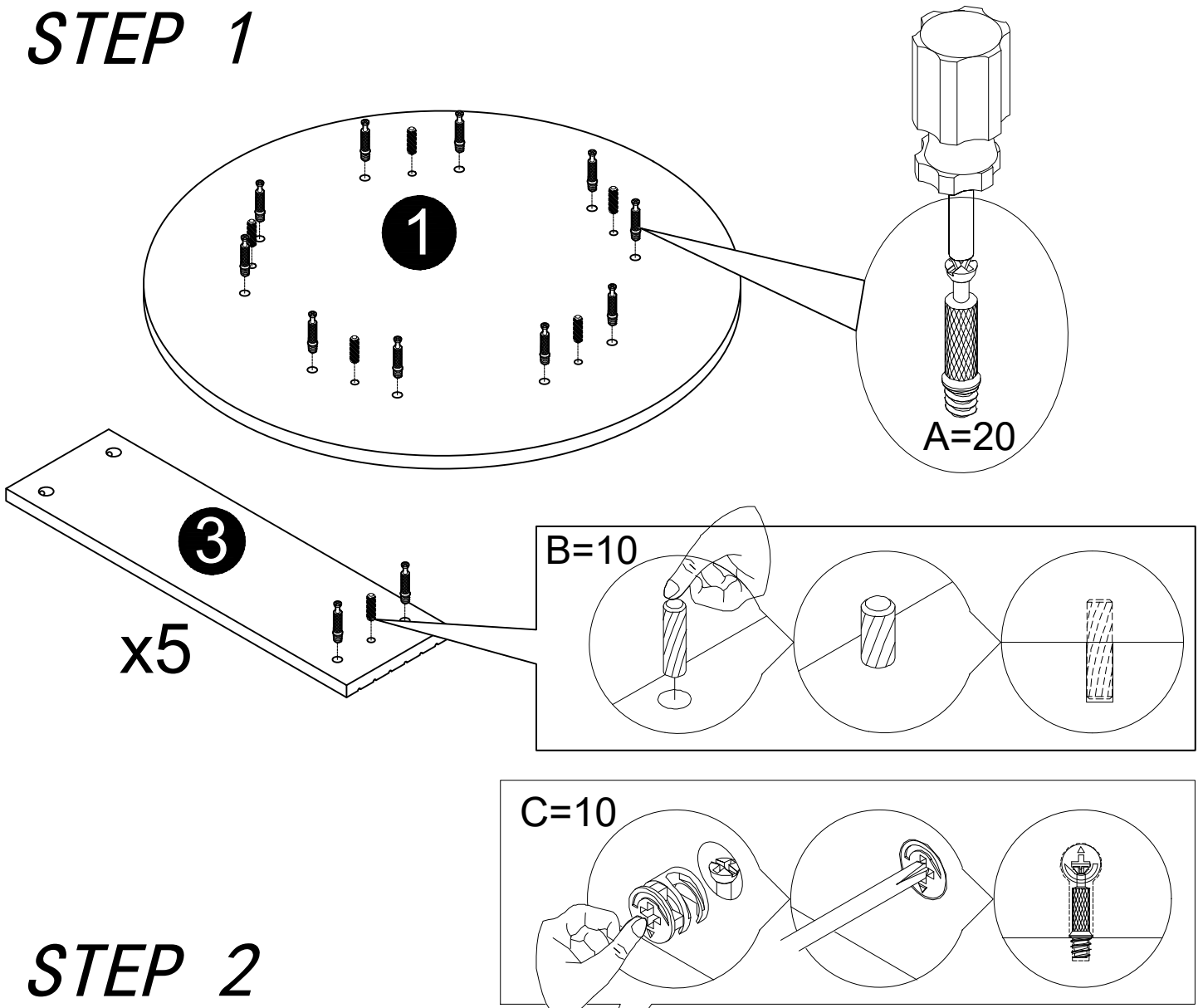
C=20



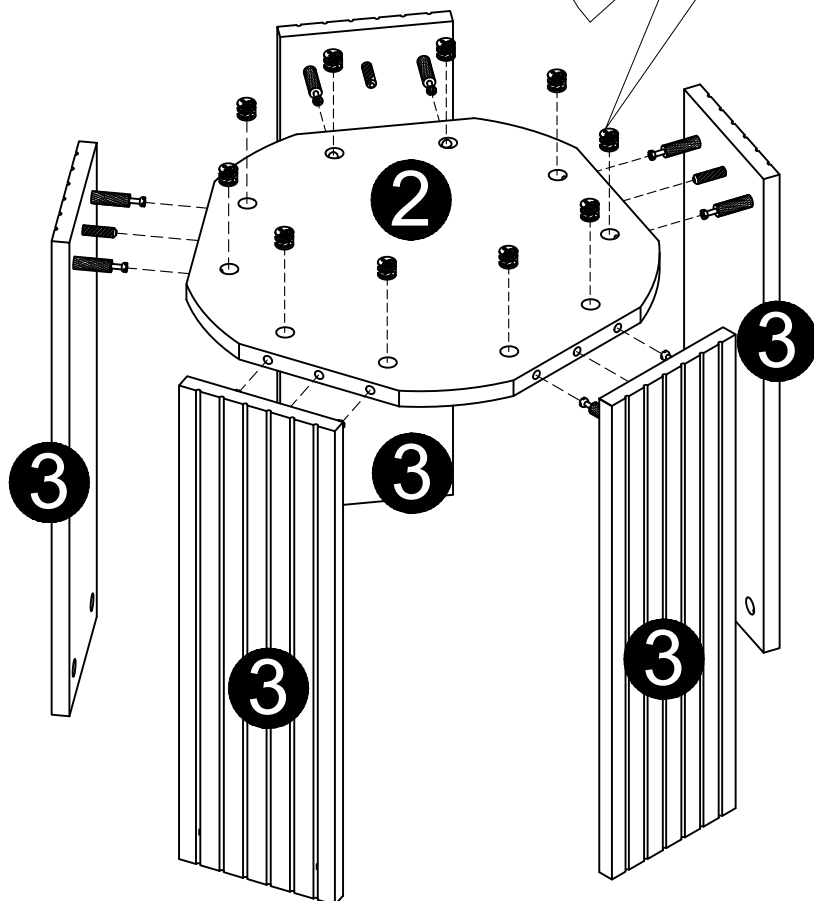
$\Phi 21$

D1=20

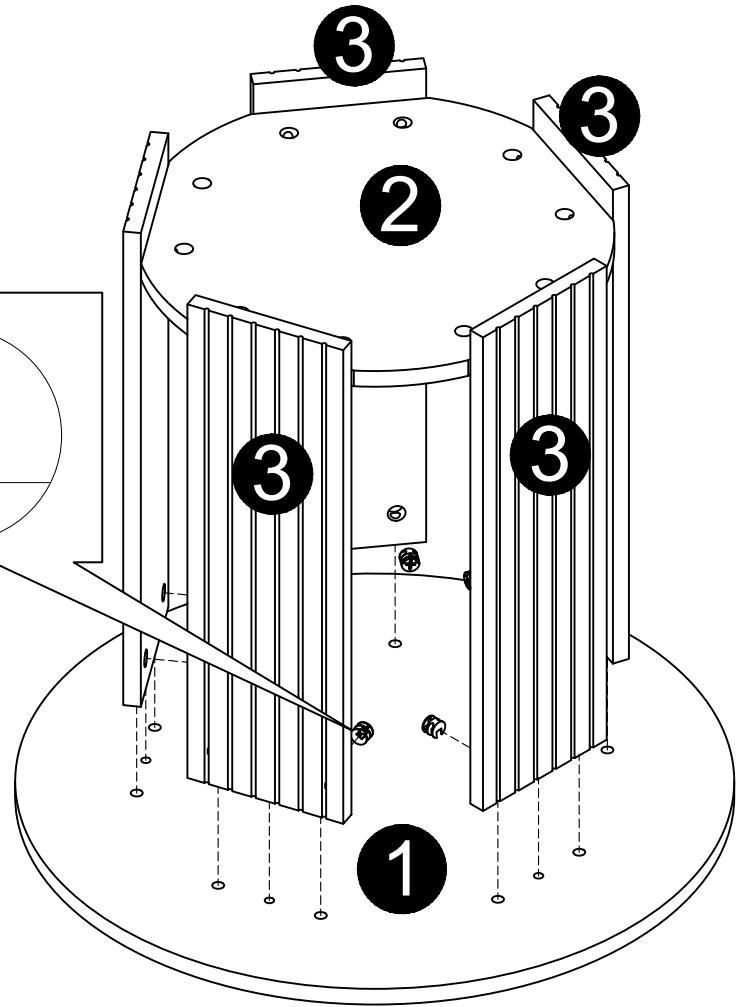
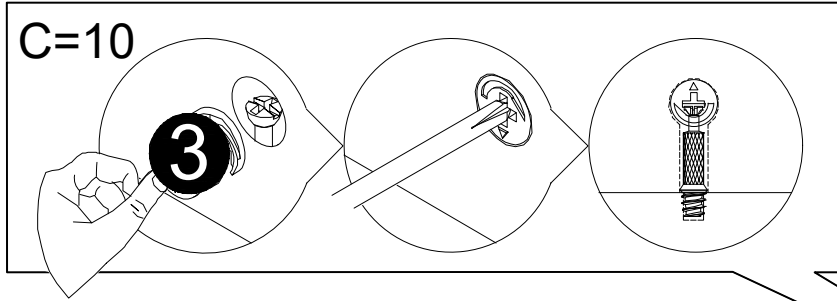
STEP 1



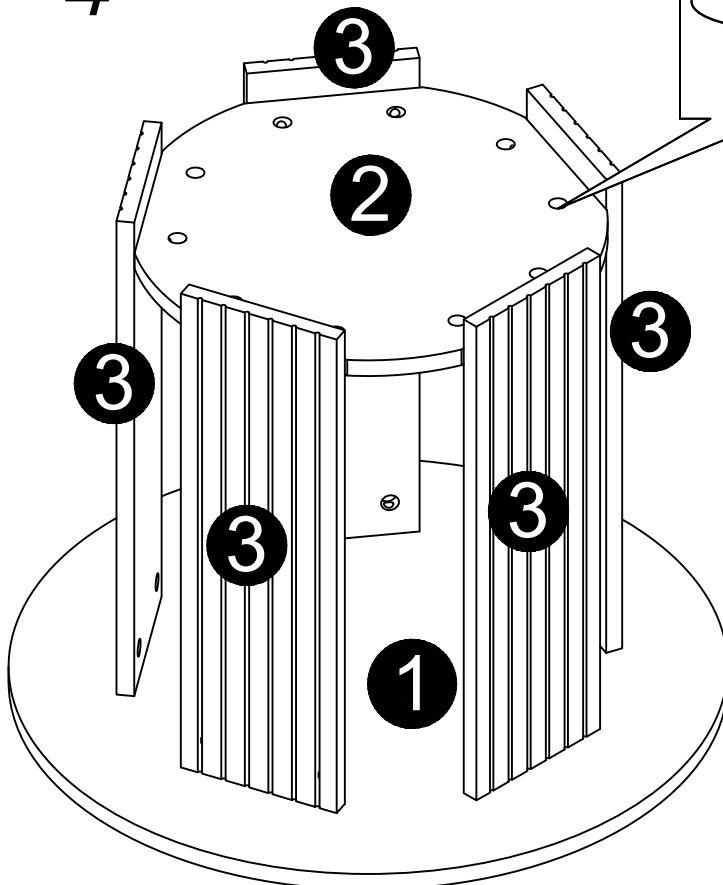
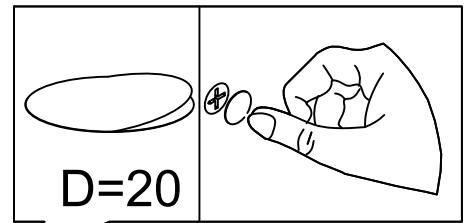
STEP 2



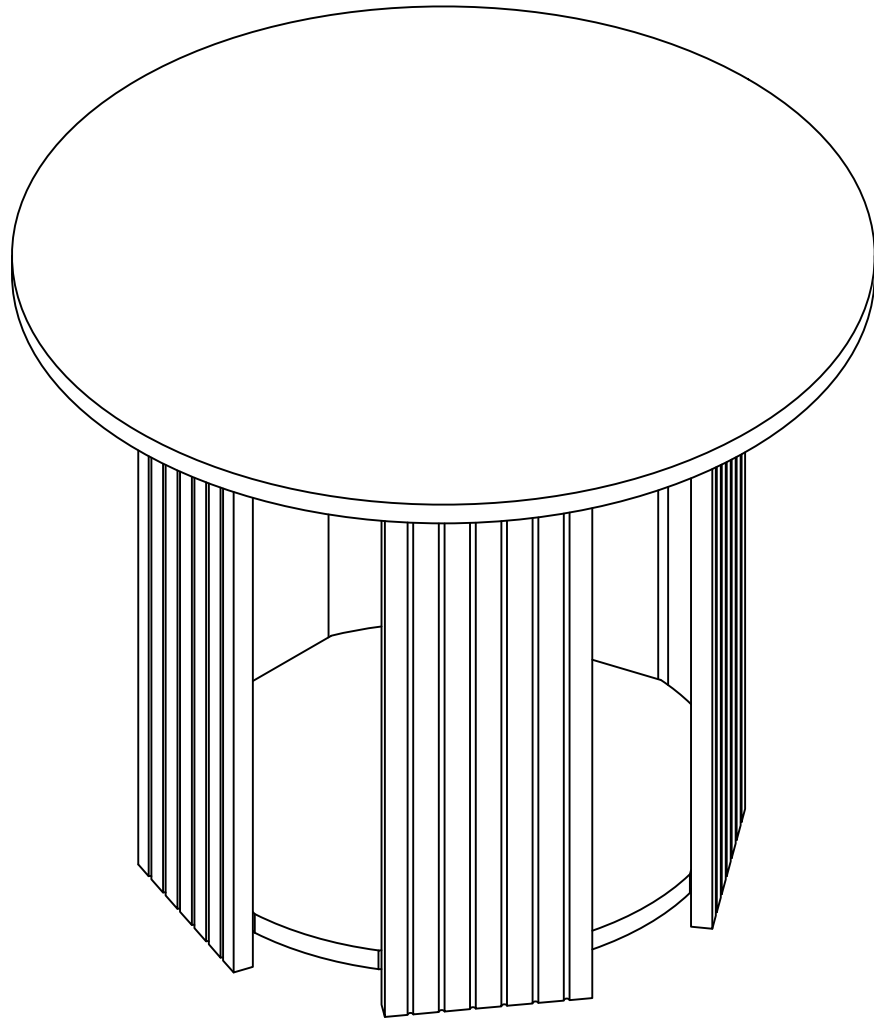
STEP 3



STEP 4



STEP 5



Finish